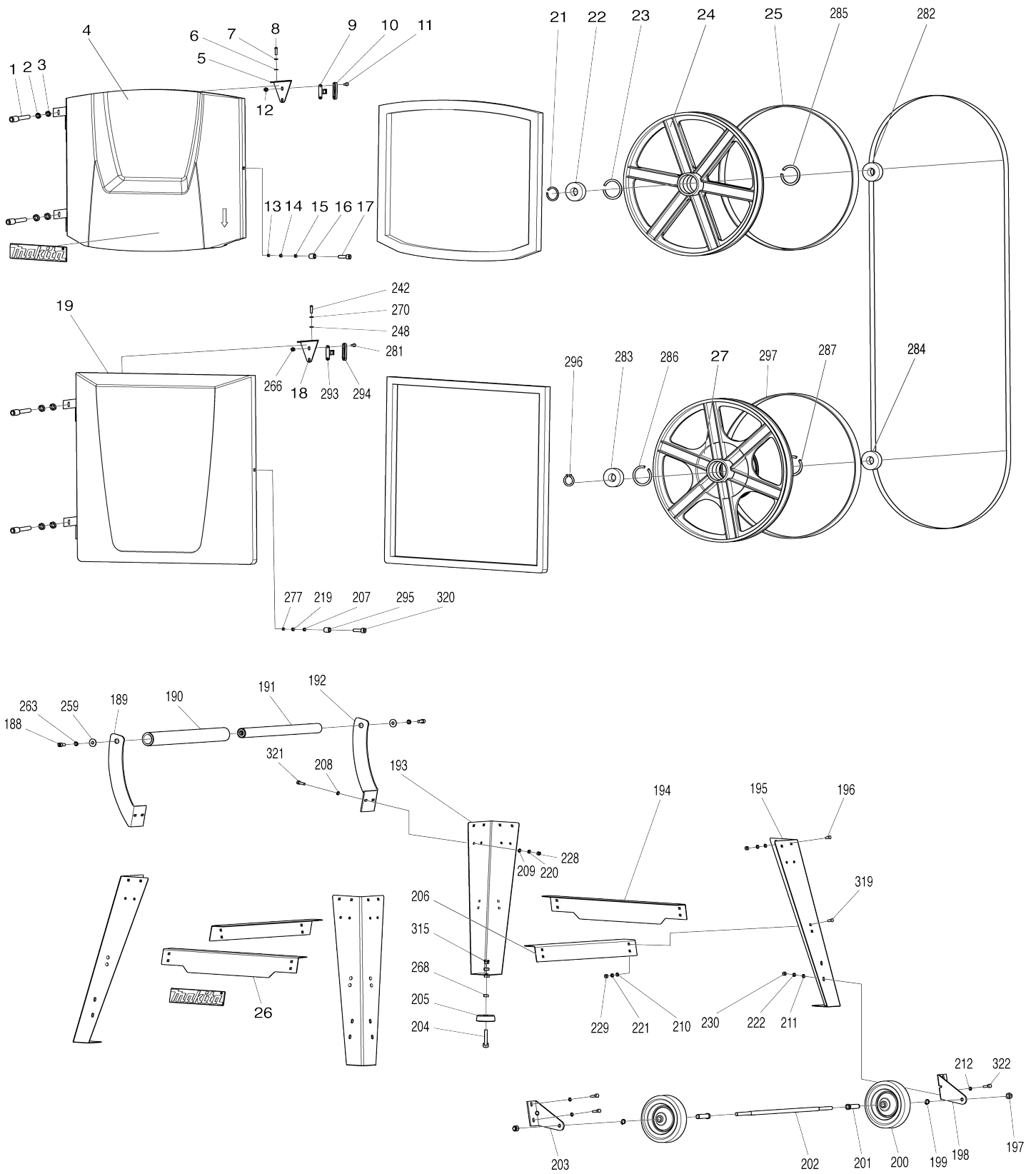
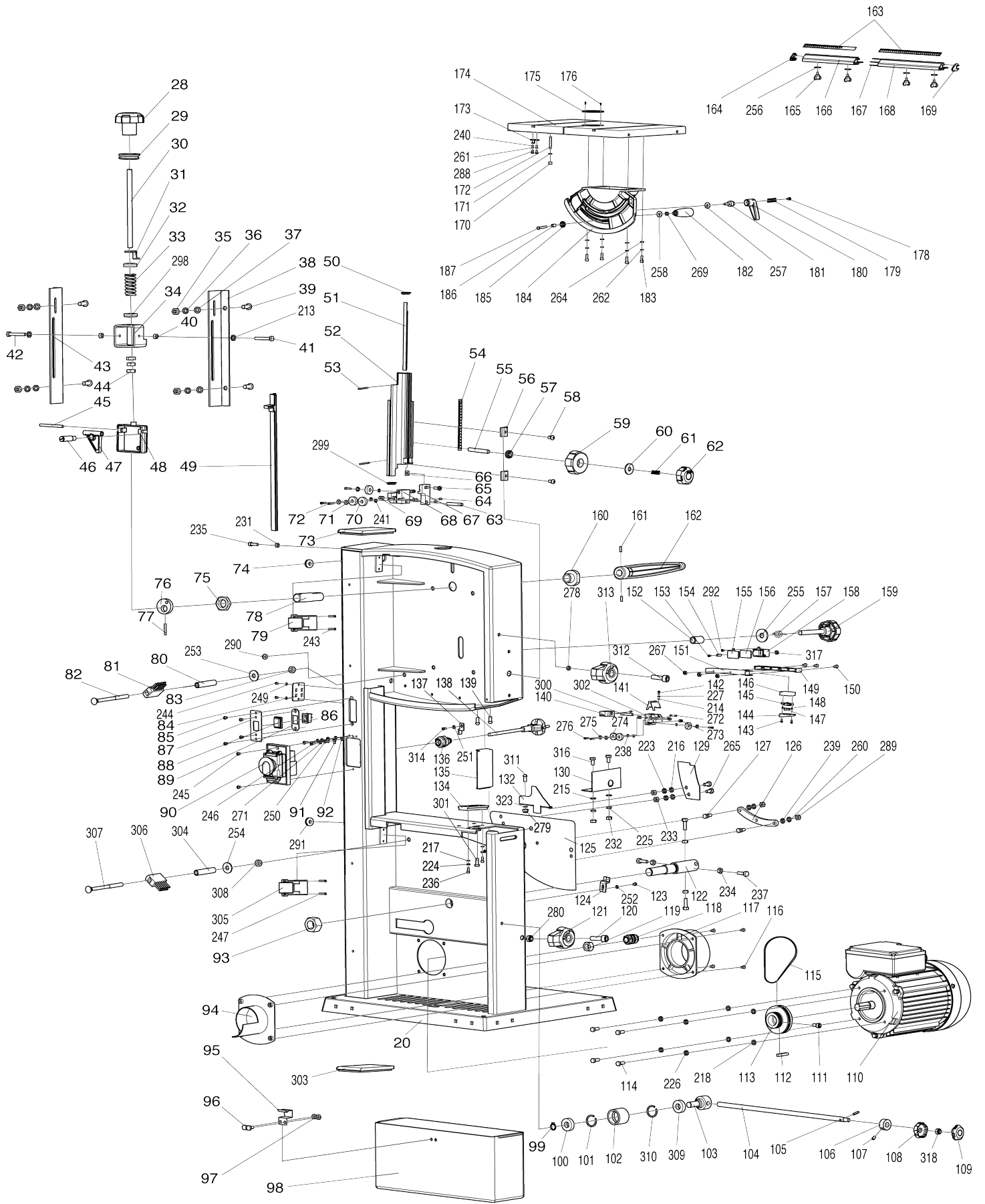


# Model No.LB1200F 305MM BAND SAW



# Model No.LB1200F 305MM BAND SAW



Model No.LB1200F 305MM BAND SAW

Item No.	Parts No.	Description	Interchangability	Q'ty	New/Old	Note1	Note2
001	JM21000018	HEX.SOCKET HEAD BOLT M5X12		4	*		
001-1	JM21000018	HEX.SOCKET HEAD BOLT M5X12	O	2			
002	JM21000019	SPRING WASHER 5		4	*		
002-1	JM21000019	SPRING WASHER 5	O	2			
003	JM21000020	FLAT WASHER 5		4	*		
003-1	JM21000020	FLAT WASHER 5	O	2			
004	JM21000021	UPPER WHEEL COVER COMPLETE		1	*		
C10	JM21000022	UP COVER		1	*		
C20	JM21000023	SPONGE		1	*		
C30	JM21000024	MAKITA LOGO LABEL		1	*		
004-1	JM21000021	UPPER WHEEL COVER COMPLETE	O	1			
D10		INC. 343					
005	JM21000025	UPPER STRIKER BASE PLATE		1	*		
005-1	JM21000025	UPPER STRIKER BASE PLATE	O	1			
006	JM21000026	FLAT WASHER 4		2			
007	JM21000027	SPRING WASHER 4		2			
008	JM21000028	PAN HEAD SCREW M4X10		2	*		
008-1	JM21000028	PAN HEAD SCREW M4X10	O	2			
009	JM21000029	DOOR STRIKER		1	*		
009-1	JM21000029	DOOR STRIKER	O	1			
010	JM21000030	DOOR STRIKER FIX PLATE		1	*		
010-1	JM21000030	DOOR STRIKER FIX PLATE	O	1			
011	JM21000031	CROSS HEAD SUNK SCREW M4X12		2	*		
011-1	JM00000281	FLAT HEAD SCREW M4X10	X	2			
012	JM21000032	HEX NUT M4		2			
013	JM21000033	HEX LOCK NUT M6		1	*		
013-1	JM21000033	HEX LOCK NUT M6	O	1			
014	JM21000034	SPRING WASHER 6		1	*		
015	JM21000035	FLAT WASHER 6		1			
016	JM21000036	SLEEVE 10X6X11		1	*		
016-1	JM21000036	SLEEVE 10X6X11	O	1			
017	JM21000037	HEX SOCKET HEAD BOLT M6X20		1	*		
017-1	JM21000037	HEX SOCKET HEAD BOLT M6X20	O	1			
018	JM21000038	STRIKER BASE PLATE LOWER		1	*		
018-1	JM21000038	STRIKER BASE PLATE LOWER	O	1			
019	JM21000039	LOWER WHEEL COVER		1	*		
C10	JM21000040	LOW COVER		1	*		
C20	JM21000023	SPONGE		1	*		
C30	JM21080006	BAND SPEED TABLE LABEL		1	*		
019-1	JM21000039	LOWER WHEEL COVER	O	1			
020	JM21000041	MACHINE BODY COMPLETE		1	*		
C10	JM21000042	MACHINE BODY COMPLETE		1	*		
C20	JM21080001	BAND TENSION LEVER LABEL		1	*		
C30	JM21080002	BAND TENSION ADJUST LABEL		1	*		
C40	JM21080003	BAND WHEEL CAMBER ADJUST LABEL		1	*		
C50	JM21080004	BELT ADJUST OPERATION LABEL		1	*		

C60	JM21080005	TABLE ANGLE ADJUST LABEL		1	*		
C70	JM21080007	GUIDE HEIGHT ADJUST LABEL		1	*		
C80	JM21080032	NAMEPLATE,AFTER SALES SERVICE		1	*		
020-1	JM21000042	MACHINE BODY COMPLETE	>	1			
021	JM21000043	RETAINING RING S-17		1	*		
021-1	JM21000043	RETAINING RING S-17	O	1			
022	JM21000044	BALL BEARING 6203		1			
023	JM21000045	RETAINING RING R-40		1	*		
023-1	JM21000045	RETAINING RING R-40	O	1			
024	JM21000046	UPPER BAND SAW WHEEL		1			
025	JM21000047	BAND SAW TIRE		1			
026	JM21000048	BEAM A COMPLETE		2	*		
C10	JM21000049	BEAM A		1	*		
C20	JM21000024	MAKITA LOGO LABEL		1	*		
026-1	JM21000048	BEAM A COMPLETE	O	1			
D10		INC. 385					
027	JM21000050	LOWER BAND SAW WHEEL		1			
028	JM21000051	TENSION KNOB		1			
029	JM21000052	SEALING RING		1			
030	JM21000053	TENSION THREAD ROD		1			
031	JM21000054	TENSION POINTER		1			
032	JM21000055	SPRING BASE		1			
033	JM21000056	COMPRESSION SPRING		1	*		
033-1	JM21000056	COMPRESSION SPRING	O	1			
034	JM21000057	FIX BRACKET		1			
035	JM21000058	HEX NUT M8		4			
036	JM21000059	SPRING WASHER 8		4			
037	JM21000060	FLAT WASHER 8		4			
038	JM21000061	FIX SIDE PLATE A		1			
039	JM21000062	H SOCKET PAN HEAD BOLT M8X16		4	*		
039-1	JM21000062	H SOCKET PAN HEAD BOLT M8X16	O	4			
040	JM21000063	HEX NUT M6		2	*		
040-1	JM21000063	HEX NUT M6	O	1			
041	JM21000064	HEX BOLT M6X35		1			
042	JM21000065	HEX BOLT M6X25		1			
043	JM21000066	FIX SIDE PLATE B		1			
044	JM21000067	THIN HEX NUT M10		3	*		
044-1	JM21000067	THIN HEX NUT M10	O	1			
045	JM21000068	COLUMN PIN D		1			
046	JM21000069	UPPER BAND SAW WHEEL AXLE		1			
047	JM21000070	UPPER WHEEL AXLE BRACKET		1			
048	JM21000071	UPPER WHEEL AXLE BRACKET CASE		1	*		
048-1	JM21000071	UPPER WHEEL AXLE BRACKET CASE	O	1			
049	JM21000072	GROOVE COVER		1	*		
049-1	JM21000072	GROOVE COVER	O	1			
050	JM21000073	BLADE GUIDE SLIDER END COVER		1			
051	JM21000074	RACK		1	*		

051-1	JM21000237	RACK	S	1			
052	JM21000075	LIFTING BRACKET		1	*		
052-1	JM21000238	LIFTING BRACKET	S	1	*		
052-2	JM21010002	LIFTING BRACKET ASSEMBLY	X	1			
D10		INC. 54,327					
053	JM21000076	ELASTIC PIN 4		2	*		
054	JM21000077	BLADE GUIDE HEIGHT SCALE LABEL		1			
055	JM21000078	BLADE GUIDE LIFTING GEAR AXLE		1	*		
055-1	JM21000078	BLADE GUIDE LIFTING GEAR AXLE	O	1			
056	JM21000079	SLIDER BLOCK		2			
057	JM21000080	SPUR GEAR 15		1	*		
057-1	JM21000080	SPUR GEAR 15	O	1			
058	JM21000081	H SOCKET PAN HEAD SCREW M6 X12		2	*		
058-1	JM21000081	H SOCKET PAN HEAD SCREW M6 X12	O	2			
059	JM21000082	LIFTING KNOB		1	*		
059-1	JM21000239	BLADE GUIDE HEIGHT ADJUST KNOB	<	1			
060	JM21000083	FLAT WASHER 8L		1	*		
060-1	JM21000083	FLAT WASHER 8L	O	1			
061	JM21000084	SPRING		1			
062	JM21000085	KNOB NUT M8		1	*		
062-1	JM21000085	KNOB NUT M8	O	1			
063	JM21000086	COLUMN PIN 10X62		1	*		
063-1	JM21000086	COLUMN PIN 10X62	O	1			
064	JM21000087	HEX SOCKET SET SCREW M6X8		3	*		
064-1	JM21000087	HEX SOCKET SET SCREW M6X8	O	1			
065	JM21000088	HEX SOCKET HEAD BOLT M8X25		1	*		
065-1	JM21000088	HEX SOCKET HEAD BOLT M8X25	O	1			
066	JM21000089	SQUARE NUT M8		1	*		
066-1	JM21000089	SQUARE NUT M8	O	1			
067	JM21000090	FIX BRACKET B		1	*		
067-1	JM00000001	FIX BRACKET B	O	1			
068	JM21000091	BLADE GUIDE BLOCK		1	*		
068-1	JM21000091	BLADE GUIDE BLOCK	O	1			
069	JM21000092	COLUMN PIN 10X15		3	*		
069-1	JM21000092	COLUMN PIN 10X15	O	2			
070	JM21000093	BALL BEARING 6200		3	*		
070-1	JM21000093	BALL BEARING 6200	O	2			
071	JM21000094	FLANGED SLEEVE 15-10X5X7		3	*		
071-1	JM21000094	FLANGED SLEEVE 15-10X5X7	O	2			
072	JM21000095	HEX SOCKET HEAD BOLT M5X20		3	*		
072-1	JM21000095	HEX SOCKET HEAD BOLT M5X20	O	2			
073	JM21000096	COVER		1			
074	JM21000097	GROMMET		1	*		
074-1	JM21000097	GROMMET	O	1			
075	JM21000098	HEX THIN NUT M20		1			
076	JM21000099	ECCENTRIC WHEEL 32		1			
077	JM21000100	SPRING PIN 4X30		1	*		

077-1	JM21000100	SPRING PIN 4X30	O	1		
078	JM21000101	SHAFT FOR ECCENTRIC WHEEL		1		
079	JM21000102	DOOR STRIKER CATCHER SWITCH		1	*	
079-1	JM21000102	DOOR STRIKER CATCHER SWITCH	O	1		
080	JM21000103	SLEEVE 12X8X52.5		1	*	
080-1	JM21000103	SLEEVE 12X8X52.5	O	1		
081	JM21000104	BRUSH		1		
082	JM21000105	SQUARE NECK BOLT M8X93		1	*	
082-1	JM21000105	SQUARE NECK BOLT M8X93	O	1		
083	JM21000106	HEX LOCK NUT M8		1	*	
083-1	JM21000106	HEX LOCK NUT M8	O	1		
084	JM21000107	ACCESSORY STORAGE PLATE		1		
085	JM21000108	PAN HEAD SCREW M4X10		4	*	
085-1	JM21000108	PAN HEAD SCREW M4X10	O	2		
086	JM21000109	HY17 SWITCH		1		
087	JM21000110	LED SWITCH FIX PLATE		1		
088	JM21000111	HY17 SWITCH SHIELD		1		
089	JM21000112	SWITCH MOUNTING PLATE		1		
090	JM21000003	SWITCH		1		
091	JM21000221	EARTHING TERMINAL 4		2		
092	JM21000113	EXTERNAL TOOTH LOCK WASHER 4		2	*	
092-1	JM21000113	EXTERNAL TOOTH LOCK WASHER 4	O	2		
093	JM21000114	HEX NUT M20		1		
094	JM21000115	SMALL DUST COLLECTOR		1	*	
094-1	JM21000115	SMALL DUST COLLECTOR	O	1		
095	JM21000116	PLATE SPRING		1		
096	JM21000117	HEX BOLT M5X12		2		
097	JM21000118	HEX LOCK NUT M5		2	*	
097-1	JM21000118	HEX LOCK NUT M5	O	2		
098	JM21000119	DUST BOX		1		
099	JM21000120	RETAINING RING S-12		1	*	
099-1	JM21000120	RETAINING RING S-12	O	1		
100	JM21000121	BALL BEARING 6001		1		
101	JM21000122	RETAINING RING R-28		1	*	
101-1	JM21000122	RETAINING RING R-28	O	1		
102	JM21000123	BELT TENSIONER WHEEL		1		
103	JM21000124	BELT TENSIONER WHEEL AXLE		1		
104	JM21000125	THREAD ROD M10 M8 L=365MM		1	*	
104-1	JM21000125	THREAD ROD M10 M8 L=365MM	O	1		
105	JM21000126	SPRING PIN 4X16		1	*	
105-1	JM21000126	SPRING PIN 4X16	O	1		
106	JM21000127	LIMIT CIRCLE		1		
107	JM21000128	HEX.SOCKET SET SCREWS M5X8		1		
108	JM21000129	BELT TENSIONER ADJUSTING KNOB		1		
109	JM21000130	TENSIONER ADJUSTING KNOB CAP		1		
110	JM21000001	MOTOR		1	*	
C10	JM21000228	TERMINAL BOX		1	*	

C20	JM21000244	CAPACITOR HIGH VOLT		1	*		
110-1	JM21000245	MOTOR ASSY 220-240V 50HZ	<	1	*		
C10	JM21000228	TERMINAL BOX		1	*		
C20	JM21000248	CAPACITOR 22 MICRO F	<	1	*		
110-2	JM21000245	MOTOR ASSY 220-240V 50HZ	O	1	*		
110-3	JM00000390	MOTOR ASSY 220-240V 50HZ	O	1			
111	JM21000131	HEX SOCKET HEAD BOLT M6X12		1	*		
111-1	JM21000131	HEX SOCKET HEAD BOLT M6X12	O	1			
112	JM21000132	KEY 5X5X28		1	*		
112-1	JM21000132	KEY 5X5X28	O	1			
113	JM21000133	MOTOR PULLEY		1			
114	JM21000134	HEX BOLT M6X12		4			
115	JM21000135	RIBBED BELT 4PJ612		1	*		
115-1	JM21000135	RIBBED BELT 4PJ612	O	1			
116	JM21000136	TAPPING SCREW ST4.2X14		4			
117	JM21000137	OUTSIDE DUST CONNECTOR PORT		1			
118	JM21000138	CORD CLAMP PAW		1			
119	JM21000139	CORD CLAMP NUT M16		1	*		
119-1	JM21000139	CORD CLAMP NUT M16	O	1			
120	JM21000140	H.S. HEAD SCREW M6X25		1	*		
120-1	JM21000234	HEX SOCKET HEAD BOLT M6X35	S	1	*		
121	JM21000141	DOOR LATCH KNOB		1	*		
121-1	JM21000231	DOOR LATCH KNOB	S	1	*		
122	JM21000142	DRIVING WHEEL SHAFT		1			
123	JM21000143	PAN HEAD SCREW M4X8		1	*		
123-1	JM21000143	PAN HEAD SCREW M4X8	O	1			
124	JM21000144	MITER POINTER		1			
125	JM21000145	SPACER PLATE		1			
126	JM21000146	SLIDER		1			
127	JM21000147	HEX SOCKET STEPPED BOLT M5X7		2	*		
127-1	JM21000147	HEX SOCKET STEPPED BOLT M5X7	O	2			
129	JM21000148	DUST PROTECTOR PLATE		1			
130	JM21000149	PROTECTOR PLATE		1			
132	JM21000150	LOW COVER B		1			
134	JM21000151	GUIDE BLOCK MOUNT FIX PLATE		1			
135	JM21000152	PROTECTOR PLATE A		1			
136	JM21000153	STRAIN & RELIEF,HV		1	*		
136-1	JM21000153	STRAIN & RELIEF,HV	O	1			
137	JM21000154	BLADE GUIDE HEIGHT PONTERR		1			
138	JM21000010	POWER SUPPLY CORD EURO 3P		1	*		
138-1	JM21000010	POWER SUPPLY CORD EURO 3P	O	1			
139	JM21000155	TAPPING SCREW ST4.2X8		2	*		
139-1	JM00000336	TAPPING SCREW ST4.2X8	X	2			
140	JM21000156	BLADE GUIDE BLOCK MOUNT		1			
141	JM21000157	BAND GUIDE GUARD REAR		1	*		
141-1	JM21000157	BAND GUIDE GUARD REAR	O	1			
142	JM21000158	CROSS HEAD SUNK SCREW M6X10		1	*		
142-1	JM27000042	PAN HEAD SCREW M5X10	X	1			
143	JM21000159	TAPPING SCREW ST3.2X8		2	*		

143-1	JM00000335	TAPPING SCREW ST2.2X11.5	X	2			
144	JM21000160	LOWER LAMP COVER		1			
145	JM21000161	LAMP REFLECTOR		1			
146	JM21000162	UPPER LAMP COVER		1	*		
146-1	JM21000229	LED LAMP ASSEMBLY,HV	X	1	*		
146-2	JM21000162	UPPER LAMP COVER	X	1			
147	JM21000163	LED LAMP LENS		1			
148	JM21000164	SELF TAPPING SCREW ST2.2X8		2	*		
148-1	JM00000334	TAPPING SCREW ST2.9X9.5	X	2			
149	JM21000165	LED LAMP CORD PROTECTOR REAR		1	*		
149-1	JM21000165	LED LAMP CORD PROTECTOR REAR	O	1			
150	JM21000166	HEX SOCKET PAN HEAD BOLT M4X20		3			
151	JM21000167	LED LAMP CORD PROTECTOR FRONT		1	*		
151-1	JM21000167	LED LAMP CORD PROTECTOR FRONT	O	1			
152	JM21000168	SLEEVE 12.5X9X21.5		1	*		
152-1	JM21000168	SLEEVE 12.5X9X21.5	O	1			
153	JM21000169	H.S.HEAD SCREW M4X32		1	*		
153-1	JM21000169	H.S.HEAD SCREW M4X32	O	1			
154	JM21000170	SLEEVE 8X4X21		1	*		
154-1	JM21000170	SLEEVE 8X4X21	O	1			
155	JM21000171	TRANSFORMER CASE		1	*		
155-1	JM21000174	TRNASFORMER CASE LID	X	1			
156	JM21000172	TRANSFORMER FOR LED LAMP(HV)		1	*		
156-1	JM21000172	TRANSFORMER FOR LED LAMP(HV)		1			
157	JM21000173	WING NUT M8		1			
158	JM21000174	TRNASFORMER CASE LID		1	*		
158-1	JM21000171	TRANSFORMER CASE	X	1			
159	JM21000175	KNOB BOLT M8X60		1	*		
159-1	JM21000175	KNOB BOLT M8X60	O	1			
160	JM21000176	BAND TENSION LEVER SUPPORT		1			
161	JM21000177	H.S. SET SCREWS M6X10		2	*		
161-1	JM00000287	HEX SOCKET SET SCREW M6X8	X	2			
162	JM21000178	BAND TENSION LEVER		1			
163	JM21000179	TABLE FRONT RAIL LABEL SET		1	*		
163-1	JM21000179	TABLE FRONT RAIL LABEL SET	O	1			
D10		INC. 498					
164	JM21000180	TABLE FRONT RAIL END CAP LEFT		1			
165	JM21000181	WING BOLT M6X12		4	*		
165-1	JM21000181	WING BOLT M6X12	O	4			
166	JM21000182	FRONT RAIL A		1	*		
166-1	JM00000344	FRONT RAIL LEFT	X	1			
D10		INC. 163					
167	JM21000183	CONNECTION PIN		3			
168	JM21000184	FRONT RAIL B		1	*		
168-1	JM00000345	FRONT RAIL RIGHT	X	1			
D10		INC. 498					



169	JM21000185	TABLE FRONT RAIL END CAP RIG HT		1			
170	JM21000186	RUBBER FOOT 8		1			
171	JM21000187	RUBBER SLEEVE 7.5X11X13		1			
172	JM21000188	HEX SOCKET THREAD ROD M8X5 0		1	*		
172-1	JM21000188	HEX SOCKET THREAD ROD M8X5 0	O	1			
173	JM21000189	STOPPER PLATE		1			
174	JM21000190	WORKING TABLE		1			
175	JM21000191	TABLE INSERT		1			
176	JM21000192	FLAT HEAD SCREW M3X6		2	*		
176-1	JM21000192	FLAT HEAD SCREW M3X6	O	2			
178	JM21000193	HEX.SOCKET HEAD BOLT M6X30		1	*		
178-1	JM21000193	HEX.SOCKET HEAD BOLT M6X30	O	1			
179	JM21000194	COMPRESSURE SPRING		1			
180	JM21000195	TABLE FIXING LEVER		1			
181	JM21000196	SPECIAL HEX BOLT M8X40		1	*		
181-1	JM21000196	SPECIAL HEX BOLT M8X40	O	1			
182	JM21000197	GRIP NUT M8		1	*		
182-1	JM21000197	GRIP NUT M8	O	1			
183	JM21000198	HEX SOCKET BOLT M8X20		4	*		
183-1	JM21000198	HEX SOCKET BOLT M8X20	O	4			
184	JM21000199	WORKING TABLE TURNION		1	*		
184-1	JM00000270	WORKING TABLE COMPLETE	<	1			
D10		INC. 381					
185	JM21000200	SPUR GEAR 10		1	*		
185-1	JM21000200	SPUR GEAR 10	O	1			
186	JM21000201	SLEEVE 12X8X6		1	*		
186-1	JM21000201	SLEEVE 12X8X6	O	1			
187	JM21000202	SPECIAL BOLT M8X48		1	*		
187-1	JM21000202	SPECIAL BOLT M8X48	O	1			
188	JM21000203	H.S.BOLT M8		2	*		
188-1	JM00000368	HEX SOCKET HEAD BOLT M8X20	X	2			
189	JM21000204	HANDLE SUPPORT LEFT		1	*		
189-1	JM21000204	HANDLE SUPPORT LEFT	O	1			
190	JM21000205	HOSE		1			
191	JM21000206	STEEL PIPE ASSEMBLY		1			
192	JM21000207	HANDLE SUPPORT RIGHT		1	*		
192-1	JM21000207	HANDLE SUPPORT RIGHT	O	1			
193	JM21000208	LEG A		1			
194	JM21000049	BEAM A		2	*		
194-1	JM21000049	BEAM A	O	1			
195	JM21000209	LEG B		3	*		
195-1	JM21000209	LEG B	O	1			
196	JM21000210	SQUARE NECK BOLT M6X16		16	*		
196-1	JM21000210	SQUARE NECK BOLT M6X16	O	8			
197	JM21000211	HEX LOCK NUT M10		2	*		
197-1	JM21000211	HEX LOCK NUT M10	O	2			
198	JM21000212	WHEEL SUPPORT LEFT		1			
199	JM21000213	RETAINING RING S-13		2	*		
199-1	JM21000213	RETAINING RING S-13	O	2			

200	JM21000214	WHEEL		2		
201	JM21000215	WHEEL SHAFT BUSH		2		
202	JM21000216	WHEEL SHAFT		1		
203	JM21000217	WHEEL SUPPORT RIGHT		1		
204	JM21000218	HEX BOLT M8X50		1		
205	JM21000219	LEG PAD		1		
206	JM21000220	BEAM B		2	*	
206-1	JM21000220	BEAM B	O	1		
207	JM21000035	FLAT WASHER 6		1		
208	JM21000035	FLAT WASHER 6		2	*	
208-1	JM21000035	FLAT WASHER 6	O	4		
209	JM21000035	FLAT WASHER 6		4		
210	JM21000035	FLAT WASHER 6		32	*	
210-1	JM21000035	FLAT WASHER 6	O	8		
211	JM21000035	FLAT WASHER 6		4		
212	JM21000035	FLAT WASHER 6		4		
213	JM21000035	FLAT WASHER 6		2	*	
213-1	JM00000327	FLAT WASHER 6 (L)	X	1		
214	JM21000035	FLAT WASHER 6		1	*	
214-1	JM21000020	FLAT WASHER 5	X	1		
215	JM21000035	FLAT WASHER 6		2		
216	JM21000035	FLAT WASHER 6		2		
217	JM21000035	FLAT WASHER 6		2	*	
217-1	JM21000020	FLAT WASHER 5	X	2		
218	JM21000035	FLAT WASHER 6		4		
219	JM21000034	SPRING WASHER 6		1	*	
220	JM21000034	SPRING WASHER 6		4		
221	JM21000034	SPRING WASHER 6		32	*	
221-1	JM21000034	SPRING WASHER 6	O	8		
222	JM21000034	SPRING WASHER 6		4		
223	JM21000034	SPRING WASHER 6		2		
224	JM21000034	SPRING WASHER 6		2	*	
224-1	JM21000019	SPRING WASHER 5	X	2		
225	JM21000034	SPRING WASHER 6		4	*	
225-1	JM21000034	SPRING WASHER 6	O	2		
226	JM21000034	SPRING WASHER 6		4		
227	JM21000034	SPRING WASHER 6		1	*	
227-1	JM21000019	SPRING WASHER 5	X	1		
228	JM21000063	HEX NUT M6		4		
229	JM21000063	HEX NUT M6		32	*	
229-1	JM21000063	HEX NUT M6	O	8		
230	JM21000063	HEX NUT M6		4		
231	JM21000063	HEX NUT M6		1		
232	JM21000063	HEX NUT M6		2		
233	JM21000063	HEX NUT M6		2		
234	JM21000063	HEX NUT M6		4	*	
234-1	JM21000063	HEX NUT M6	O	2		
235	JM21000037	HEX SOCKET HEAD BOLT M6X20		1	*	
235-1	JM21000037	HEX SOCKET HEAD BOLT M6X20	O	1		
236	JM21000037	HEX SOCKET HEAD BOLT M6X20		2	*	
236-1	JM00000338	HEX SOCKET HEAD BOLT M5X10	X	2		
237	JM21000037	HEX SOCKET HEAD BOLT M6X20		4	*	

237-1	JM21000037	HEX SOCKET HEAD BOLT M6X20	O	2			
238	JM21000020	FLAT WASHER 5		3	*		
238-1	JM21000020	FLAT WASHER 5	O	2			
239	JM21000020	FLAT WASHER 5		2	*		
240	JM21000020	FLAT WASHER 5		2			
241	JM21000020	FLAT WASHER 5		3	*		
241-1	JM21000020	FLAT WASHER 5	O	2			
242	JM21000028	PAN HEAD SCREW M4X10		2	*		
242-1	JM21000028	PAN HEAD SCREW M4X10	O	2			
243	JM21000028	PAN HEAD SCREW M4X10		2	*		
243-1	JM21000028	PAN HEAD SCREW M4X10	O	2			
244	JM21000028	PAN HEAD SCREW M4X10		2	*		
244-1	JM21000028	PAN HEAD SCREW M4X10	O	2			
245	JM21000028	PAN HEAD SCREW M4X10		2	*		
245-1	JM23100065	PAN HEAD SCREW M4X8	X	2			
246	JM21000028	PAN HEAD SCREW M4X10		2	*		
246-1	JM21000028	PAN HEAD SCREW M4X10	O	2			
247	JM21000028	PAN HEAD SCREW M4X10		2	*		
247-1	JM21000028	PAN HEAD SCREW M4X10	O	2			
248	JM21000026	FLAT WASHER 4		2			
249	JM21000026	FLAT WASHER 4		2			
250	JM21000026	FLAT WASHER 4		2			
251	JM21000026	FLAT WASHER 4		1			
252	JM21000026	FLAT WASHER 4		1			
253	JM21000083	FLAT WASHER 8L		1	*		
253-1	JM21000083	FLAT WASHER 8L	O	1			
254	JM21000083	FLAT WASHER 8L		1	*		
254-1	JM21000083	FLAT WASHER 8L	O	1			
255	JM21000083	FLAT WASHER 8L		1	*		
255-1	JM21000083	FLAT WASHER 8L	O	1			
256	JM21000083	FLAT WASHER 8L		1	*		
256-1	JM21000083	FLAT WASHER 8L	O	4			
257	JM21000083	FLAT WASHER 8L		1	*		
257-1	JM21000083	FLAT WASHER 8L	O	1			
258	JM21000083	FLAT WASHER 8L		1	*		
258-1	JM21000083	FLAT WASHER 8L	O	1			
259	JM21000083	FLAT WASHER 8L		2	*		
259-1	JM21000083	FLAT WASHER 8L	O	2			
260	JM21000019	SPRING WASHER 5		2			
261	JM21000019	SPRING WASHER 5		2			
262	JM21000059	SPRING WASHER 8		4			
263	JM21000059	SPRING WASHER 8		2			
264	JM21000060	FLAT WASHER 8		4			
265	JM21000134	HEX BOLT M6X12		2	*		
265-1	JM00000288	HEX BOLT M6X14	X	2			
266	JM21000032	HEX NUT M4		2			
267	JM21000032	HEX NUT M4		3			
268	JM21000058	HEX NUT M8		2	*		
268-1	JM21000058	HEX NUT M8	O	1			
269	JM21000058	HEX NUT M8		1			
270	JM21000027	SPRING WASHER 4		2			

271	JM21000027	SPRING WASHER 4		2			
272	JM21000087	HEX SOCKET SET SCREW M6X8		3	*		
272-1	JM21000087	HEX SOCKET SET SCREW M6X8	O	1			
273	JM21000092	COLUMN PIN 10X15		3	*		
273-1	JM21000092	COLUMN PIN 10X15	O	1			
274	JM21000093	BALL BEARING 6200		3	*		
274-1	JM21000093	BALL BEARING 6200	O	2			
275	JM21000094	FLANGED SLEEVE 15-10X5X7		3	*		
275-1	JM21000094	FLANGED SLEEVE 15-10X5X7	O	2			
276	JM21000095	HEX SOCKET HEAD BOLT M5X20		3	*		
276-1	JM21000095	HEX SOCKET HEAD BOLT M5X20	O	2			
277	JM21000033	HEX LOCK NUT M6		1	*		
277-1	JM21000033	HEX LOCK NUT M6	O	1			
278	JM21000033	HEX LOCK NUT M6		1	*		
278-1	JM21000033	HEX LOCK NUT M6	S	2	*		
279	JM21000033	HEX LOCK NUT M6		1	*		
279-1	JM21000033	HEX LOCK NUT M6	O	1			
280	JM21000033	HEX LOCK NUT M6		1	*		
280-1	JM21000033	HEX LOCK NUT M6	S	2	*		
281	JM21000031	CROSS HEAD SUNK SCREW M4X1 2		2	*		
281-1	JM00000281	FLAT HEAD SCREW M4X10	X	2			
282	JM21000044	BALL BEARING 6203		1			
283	JM21000044	BALL BEARING 6203		1			
284	JM21000044	BALL BEARING 6203		1			
285	JM21000045	RETAINING RING R-40		1	*		
285-1	JM21000045	RETAINING RING R-40	O	1			
286	JM21000045	RETAINING RING R-40		1	*		
286-1	JM21000045	RETAINING RING R-40	O	1			
287	JM21000045	RETAINING RING R-40		1	*		
287-1	JM21000045	RETAINING RING R-40	O	1			
288	JM21000117	HEX BOLT M5X12		2			
289	JM21000118	HEX LOCK NUT M5		2	*		
289-1	JM21000118	HEX LOCK NUT M5	O	2			
290	JM21000097	GROMMET		1	*		
290-1	JM21000097	GROMMET	O	1			
291	JM21000097	GROMMET		1	*		
291-1	JM21000097	GROMMET	O	1			
292	JM21000159	TAPPING SCREW ST3.2X8		1	*		
292-1	JM00000331	TAPPING SCREW PT3.9X9.5	X	1			
293	JM21000029	DOOR STRIKER		1	*		
293-1	JM21000029	DOOR STRIKER	O	1			
294	JM21000030	DOOR STRIKER FIX PLATE		1	*		
294-1	JM21000030	DOOR STRIKER FIX PLATE	O	1			
295	JM21000036	SLEEVE 10X6X11		1	*		
295-1	JM21000036	SLEEVE 10X6X11	O	1			
296	JM21000043	RETAINING RING S-17		1	*		
296-1	JM21000043	RETAINING RING S-17	O	1			
297	JM21000047	BAND SAW TIRE		1			
298	JM21000055	SPRING BASE		1			
299	JM21000073	BLADE GUIDE SLIDER END COVE R		1	*		

300	JM21000086	COLUMN PIN 10X62		1	*		
300-1	JM21000086	COLUMN PIN 10X62	O	1			
301	JM21000088	HEX SOCKET HEAD BOLT M8X25		1	*		
301-1	JM21000088	HEX SOCKET HEAD BOLT M8X25	O	1			
302	JM21000091	BLADE GUIDE BLOCK		1	*		
302-1	JM21000091	BLADE GUIDE BLOCK	O	1			
303	JM21000096	COVER		1			
304	JM21000103	SLEEVE 12X8X52.5		1	*		
304-1	JM21000103	SLEEVE 12X8X52.5	O	1			
305	JM21000102	DOOR STRIKER CATCHER SWITC H		1	*		
305-1	JM21000102	DOOR STRIKER CATCHER SWITC H	O	1			
306	JM21000104	BRUSH		1			
307	JM21000105	SQUARE NECK BOLT M8X93		1	*		
307-1	JM21000105	SQUARE NECK BOLT M8X93	O	1			
308	JM21000106	HEX LOCK NUT M8		1	*		
308-1	JM21000106	HEX LOCK NUT M8	O	1			
309	JM21000121	BALL BEARING 6001		1			
310	JM21000122	RETAINING RING R-28		1	*		
310-1	JM21000122	RETAINING RING R-28	O	1			
311	JM21000131	HEX SOCKET HEAD BOLT M6X12		1	*		
311-1	JM21000131	HEX SOCKET HEAD BOLT M6X12	O	1			
312	JM21000140	H.S. HEAD SCREW M6X25		1	*		
312-1	JM21000234	HEX SOCKET HEAD BOLT M6X35	S	1	*		
313	JM21000141	DOOR LATCH KNOB		1	*		
313-1	JM21000231	DOOR LATCH KNOB	S	1	*		
314	JM21000143	PAN HEAD SCREW M4X8		1	*		
314-1	JM21000143	PAN HEAD SCREW M4X8	O	1			
315	JM21000173	WING NUT M8		1			
316	JM21000134	HEX BOLT M6X12		2			
317	JM21000032	HEX NUT M4		1			
318	JM21000106	HEX LOCK NUT M8		1	*		
318-1	JM21000106	HEX LOCK NUT M8	O	1			
319	JM21000210	SQUARE NECK BOLT M6X16		16	*		
319-1	JM21000210	SQUARE NECK BOLT M6X16	O	8			
320	JM21000037	HEX SOCKET HEAD BOLT M6X20		1	*		
320-1	JM21000037	HEX SOCKET HEAD BOLT M6X20	O	1			
321	JM21000037	HEX SOCKET HEAD BOLT M6X20		4	*		
321-1	JM21000037	HEX SOCKET HEAD BOLT M6X20	O	4			
322	JM21000037	HEX SOCKET HEAD BOLT M6X20		4	*		
322-1	JM00000342	HEX SOCKET HEAD BOLT M6X16	X	4			
323	JM21000035	FLAT WASHER 6		1			
324	JM21000240	HEX SOCKET HEAD BOLT M4X8	S	2			
325	JM21000026	FLAT WASHER 4	S	2			
326	JM21000027	SPRING WASHER 4	S	2			
327	JM21000241	SPONGE TAPE	S	2			
328	JM21010003	LIFTING BRACKET ASSEMBLY		1	*		
D10		INC. 51,324,325,326,329					
329	JM21010002	LIFTING BRACKET ASSEMBLY		1	*		
D10		INC. 52,54,327					
330	JM21000232	UPPER WHEEL COVER LOCK KNO	S	1	*		

		B				
330-1	JM21000232	UPPER WHEEL COVER LOCK KNOB	O	1		
331	JM21000233	COMPRESSION SPRING	S	1		
332	JM21000235	SPRING PIN 4X20	S	1	*	
332-1	JM21000235	SPRING PIN 4X20	O	1		
333	JM21000035	FLAT WASHER 6	S	1		
334	JM21000236	FLAT WASHER 6 (L)	S	1	*	
334-1	JM21000236	FLAT WASHER 6 (L)	O	1		
335	JM21000232	UPPER WHEEL COVER LOCK KNOB	S	1	*	
335-1	JM21000232	UPPER WHEEL COVER LOCK KNOB	O	1		
336	JM21000233	COMPRESSION SPRING	S	1		
337	JM21000235	SPRING PIN 4X20	S	1	*	
337-1	JM21000235	SPRING PIN 4X20	O	1		
338	JM21000035	FLAT WASHER 6	S	1		
339	JM21000236	FLAT WASHER 6 (L)	S	1	*	
339-1	JM21000236	FLAT WASHER 6 (L)	O	1		
340	JM00000274	UPPER WHEEL COVER ASSEMBLY		1		
D10		INC.1-13,15-17,341,342,344,345				
341	JM00000277	SPONGE E		1		
342	JM00000278	SPONGE F		1		
343	JM27000113	MAKITA LOGO PLATE		1		
344	JM00000276	SPONGE A		1		
345	JM00000275	SPONGE B		1		
346	JM00000279	LOW WHEEL COVER ASSEMBLY		1		
D10		INC.18,19,207,219,242,248,266,				
D20		270,277,281,293,294,295,320,				
D30		347-354				
347	JM21000018	HEX.SOCKET HEAD BOLT M5X12		2		
348	JM21000019	SPRING WASHER 5		2		
349	JM21000020	FLAT WASHER 5		2		
350	JM21080006	BAND SPEED TABLE LABEL		1		
351	JM00000277	SPONGE E		1		
352	JM00000277	SPONGE E		1		
353	JM00000276	SPONGE A		1		
354	JM00000280	SPONGE C		1		
357	JM21000234	HEX SOCKET HEAD BOLT M6X35		1		
358	JM21000033	HEX LOCK NUT M6		1		
359	JM21000231	DOOR LATCH KNOB		1		
360	JM21000033	HEX LOCK NUT M6		1		
361	JM21080293	LARGE DUST COLLECTOR		1		
364	JM21000234	HEX SOCKET HEAD BOLT M6X35		1		
365	JM21000033	HEX LOCK NUT M6		1		
366	JM21000231	DOOR LATCH KNOB		1		
367	JM21000033	HEX LOCK NUT M6		1		
368	JM21080001	BAND TENSION LEVER LABEL		1		
369	JM21080002	BAND TENSION ADJUST LABEL		1		
370	JM21080003	BAND WHEEL CAMBER ADJUST LABEL		1		
371	JM21080007	GUIDE HEIGHT ADJUST LABEL		1		
372	JM21080032	NAMEPLATE,AFTER SALES SERVICE		1		

		E				
373	JM21800066	SOUND 97DB LABEL		1		
374	JM21080048	MOVING TOOL OPERATION LABEL		1		
375	JM21080005	TABLE ANGLE ADJUST LABEL		1		
376	JM21080004	BELT ADJUST OPERATION LABEL		1		
377	JM00000329	CONE PIN 8X26		1		
378	JM00000330	HEX BOLT M8X35		1		
379	JM21000083	FLAT WASHER 8L		1		
380	JM21000106	HEX LOCK NUT M8		1		
381	JM00000346	TABLE BEVEL SCALE LABEL		1		
382	JM21000020	FLAT WASHER 5		2		
383	JM21000209	LEG B		1		
384	JM21000209	LEG B		1		
385	JM27000113	MAKITA LOGO PLATE		1		
386	JM21000220	BEAM B		1		
387	JM21000035	FLAT WASHER 6		8		
388	JM21000034	SPRING WASHER 6		8		
389	JM21000063	HEX NUT M6		8		
390	JM21000210	SQUARE NECK BOLT M6X16		8		
391	JM21000035	FLAT WASHER 6		8		
392	JM21000034	SPRING WASHER 6		8		
393	JM21000063	HEX NUT M6		8		
394	JM21000210	SQUARE NECK BOLT M6X16		8		
395	JM21000035	FLAT WASHER 6		8		
396	JM21000034	SPRING WASHER 6		8		
397	JM21000063	HEX NUT M6		8		
398	JM27000003	FLAT WASHER 10		2		
399	JM00000284	UPPER BAND SAW WHEEL ASSEMBLY		1		
D10		INC. 22-25,282,285				
400	JM00000283	LOWER BAND SAW WHEEL ASSEMBLY		1		
D10		INC. 27,283,284,286,287,297				
401	JM00000340	UPPER BLADE GUIDE ASSEMBLY		1		
D10		INC.50-52,56,58,63-72,135,241,				
D20		324-326,402-408				
402	JM21000095	HEX SOCKET HEAD BOLT M5X20		1		
403	JM21000094	FLANGED SLEEVE 15-10X5X7		1		
404	JM21000093	BALL BEARING 6200		1		
405	JM21000020	FLAT WASHER 5		1		
406	JM21000092	COLUMN PIN 10X15		1		
407	JM21000087	HEX SOCKET SET SCREW M6X8		1		
408	JM21000087	HEX SOCKET SET SCREW M6X8		1		
409	JM21000067	THIN HEX NUT M10		1		
410	JM21000067	THIN HEX NUT M10		1		
411	JM00000285	UPPER AXLE ASSEMBLY		1		
D10		INC. 45-48				
412	JM00000337	LOW BLADE GUIDE ASSEMBLY		1		
D10		INC.134,140-142,214,217,224,				
D20		227,236,238,272-276,300-302,				
D30		413-419				

413	JM21000087	HEX SOCKET SET SCREW M6X8	1		
414	JM21000087	HEX SOCKET SET SCREW M6X8	1		
415	JM21000092	COLUMN PIN 10X15	2		
416	JM21000095	HEX SOCKET HEAD BOLT M5X20	1		
417	JM21000094	FLANGED SLEEVE 15-10X5X7	1		
418	JM21000093	BALL BEARING 6200	1		
419	JM21000020	FLAT WASHER 5	1		
420	JM21000043	RETAINING RING S-17	1		
421	JM21000037	HEX SOCKET HEAD BOLT M6X20	2		
422	JM21000063	HEX NUT M6	2		
423	JM00000286	BELT TENSIONER WHEEL ASSEMBLY	1		
D10		INC. 99-103,309,310			
424	JM21000229	LED LAMP ASSEMBLY,HV	1		
D10		INC. 146,156,425			
425	JM00000333	LED LAMP	1		
435	JM21000228	TERMINAL BOX	1		
436	JM21000248	CAPACITOR 22 MICRO F	1		
437	JM21080260	MITER GUAGE ASSY	1		
D10		INC. 438-462			
438	JM00000296	GRIP BOLT M6X22	1		
439	JM21000083	FLAT WASHER 8L	1		
440	JM00000367	MITER GUAGE PLATE COMPLETE	1		
441	JM00000295	KNOB NUT M6	1		
442	JM21000032	HEX NUT M4	1		
443	JM00000302	PAN HEAD SCREW M4X20	1		
444	JM21000032	HEX NUT M4	1		
445	JM00000302	PAN HEAD SCREW M4X20	1		
446	JM21000032	HEX NUT M4	1		
447	JM00000302	PAN HEAD SCREW M4X20	1		
448	JM23100141	HEX LOCK NUT 5	1		
449	JM21000020	FLAT WASHER 5	1		
450	JM21000018	HEX.SOCKET HEAD BOLT M5X12	1		
451	JM00000298	FENCE COVER	1		
452	JM00000300	SLIDE PLATE A	1		
453	JM00000299	SQUARE NECK BOLT M6X30	1		
454	JM00000343	MITER GUAGE FENCE	1		
455	JM00000298	FENCE COVER	1		
456	JM00000293	POINTER A	1		
457	JM00000292	HEX SOCKET SET SCREW M5X8	1		
458	JM00000294	POINTER BRACKET PLATE	1		
459	JM00000291	POINTER BRACKET	1		
460	JM00000292	HEX SOCKET SET SCREW M5X8	1		
461	JM00000290	GUIDE BAR	1		
462	JM00000289	FLAT HEAD SCREW M4X12	1		
463	JM21080230	RIP FENCE ASSY	1		
D10		INC. 464-477,487-493			
464	JM00000369	FENCE BRACKET COMPLETE	1		
D10		INC. 478-486			
465	JM00000328	KNOB NUT M6	2		
466	JM00000327	FLAT WASHER 6 (L)	2		
467	JM00000311	SQUARE NECK BOLT M6X56	2		



468	JM00000310	HEX SOCKET HEAD BOLT M6X20		2		
469	JM21000034	SPRING WASHER 6		2		
470	JM21000035	FLAT WASHER 6		2		
471	JM00000326	FENCE ADJUST BLOCK		1		
472	JM00000309	RIP FENCE INSERT B		1		
473	JM00000308	RIP FENCE		1		
474	JM00000304	RIP FENCE INSERT A		1		
475	JM00000325	PAN HEAD SCREW M4X8		1		
476	JM21000026	FLAT WASHER 4		1		
477	JM00000324	FENCE POINTER		1		
478	JM00000312	FENCE BRACKET A		1		
479	JM00000323	HEX BOLT M6X34		1		
480	JM21000035	FLAT WASHER 6		1		
481	JM00000314	KNURLED PIN 5X30		1		
482	JM21010004	RIP FENCE FIXED PLATE		1		
483	JM00000318	COMPRESSION SPRING		1		
484	JM00000317	SPRING PIN 4X28		1		
485	JM00000321	ECCENTRIC WHEEL		1		
486	JM00000322	KNURLED PIN 8X30		1		
487	JM00000316	FRICITION PLATE		1		
488	JM00000281	FLAT HEAD SCREW M4X10		1		
489	JM00000320	GRIP BOLT M8X10		1		
490	JM00000319	GRIP BOLT CAP		1		
491	JM00000305	GUIDE PLATE A		1		
492	JM00000306	GUIDE PLATE B		1		
493	JM00000307	KNOB BOLT M6X30		1		
494	JM21000063	HEX NUT M6		1		
495	JM00000327	FLAT WASHER 6 (L)		1		
496	JM21000108	PAN HEAD SCREW M4X10		2		
497	JM21000035	FLAT WASHER 6		1		
498	JM21000179	TABLE FRONT RAIL LABEL SET		1		
D10		INC. 163				
A01	JM21080230	RIP FENCE ASSY		1	*	
C01	JM00000105	PRESS HANDLE COVER		1	*	
C04	JM00000106	PRESS HANDLE B		1	*	
C07	JM00000107	ELASTIC PIN 3X25		1	*	
C10	JM21010004	RIP FENCE FIXED PLATE		1	*	
C13	JM00000108	ECCENTRIC WHEEL 38		1	*	
C16	JM00000111	FENCE BRACKET		1	*	
C19	JM00000112	COMPRESSURE SPRING 0.8		1	*	
C22	JM00000113	HEX SCREW		1	*	
C25	JM00000114	POINTER		1	*	
C28	JM00000115	FLAT WASHER 4		1	*	
C31	JM00000116	CROSS HEAD SCREW M4X10		1	*	
C34	JM00000117	MITER GUAGE KNOB		2	*	
C37	JM00000118	FENCE ADJUST BLOCK		1	*	
C40	JM00000119	HEX BOLT M6X16		2	*	
C43	JM00000120	SPRING WASHER 6		2	*	
C46	JM00000121	FLAT WASHER 6		2	*	
C49	JM00000122	RIP FENCE		1	*	
C52	JM00000123	FENCE SEAL PLATE A		1	*	
C55	JM00000124	GUIDE PLATE A		1	*	

C58	JM00000125	GUIDE PLATE B		1	*		
C61	JM00000126	GUIDE PLATE KNOB		1	*		
C64	JM00000127	FENCE SEAL PLATE B		1	*		
C67	JM00000128	SQUARE NECK BOLT M6X60		2	*		
C70	JM00000129	PIN SHAFT A		1	*		
C73	JM00000130	PIN SHAFT B		1	*		
C76	JM00000131	FRICTION PLATE		1	*		
C79	JM00000132	CROSS HEAD SUNK SCREW M4X14		1	*		
A02	JM21080260	MITER GUAGE ASSY		1	*		
A03	JM21080290	PUSH STICK		1			
A04	JM21080291	HEX KEY WRENCH 4		1	*		
A04-1	JM21080291	HEX KEY WRENCH 4	O	1			
A05	JM21080292	HEX KEY WRENCH 5		1	*		
A05-1	JM21080292	HEX KEY WRENCH 5	O	1			
A06	JM21080293	LARGE DUST COLLECTOR		1	*		
A07	JM21080294	BLADE 2240(88")X6(1/4")6TPI		1	*		
A07-1	JM21080294	BLADE 2240(88")X6(1/4")6TPI	O	1			
A08	JM21080295	BLADE 2240(88")X13(1/2")4TPI		1	*		
A08-1	JM21080295	BLADE 2240(88")X13(1/2")4TPI	O	1			
A09	JM21080296	BLADE 2240(88")X16(5/8")4TP		1	*		
A09-1	JM21080296	BLADE 2240(88")X16(5/8")4TP	O	1			
A10	JM21080297	BLADE 2240(88")X16(5/8") 14TPI		1	*		
A10-1	JM21080297	BLADE 2240(88")X16(5/8") 14TPI	O	1			

Please state Parts No. when your order.

Print Date 26.10.2023