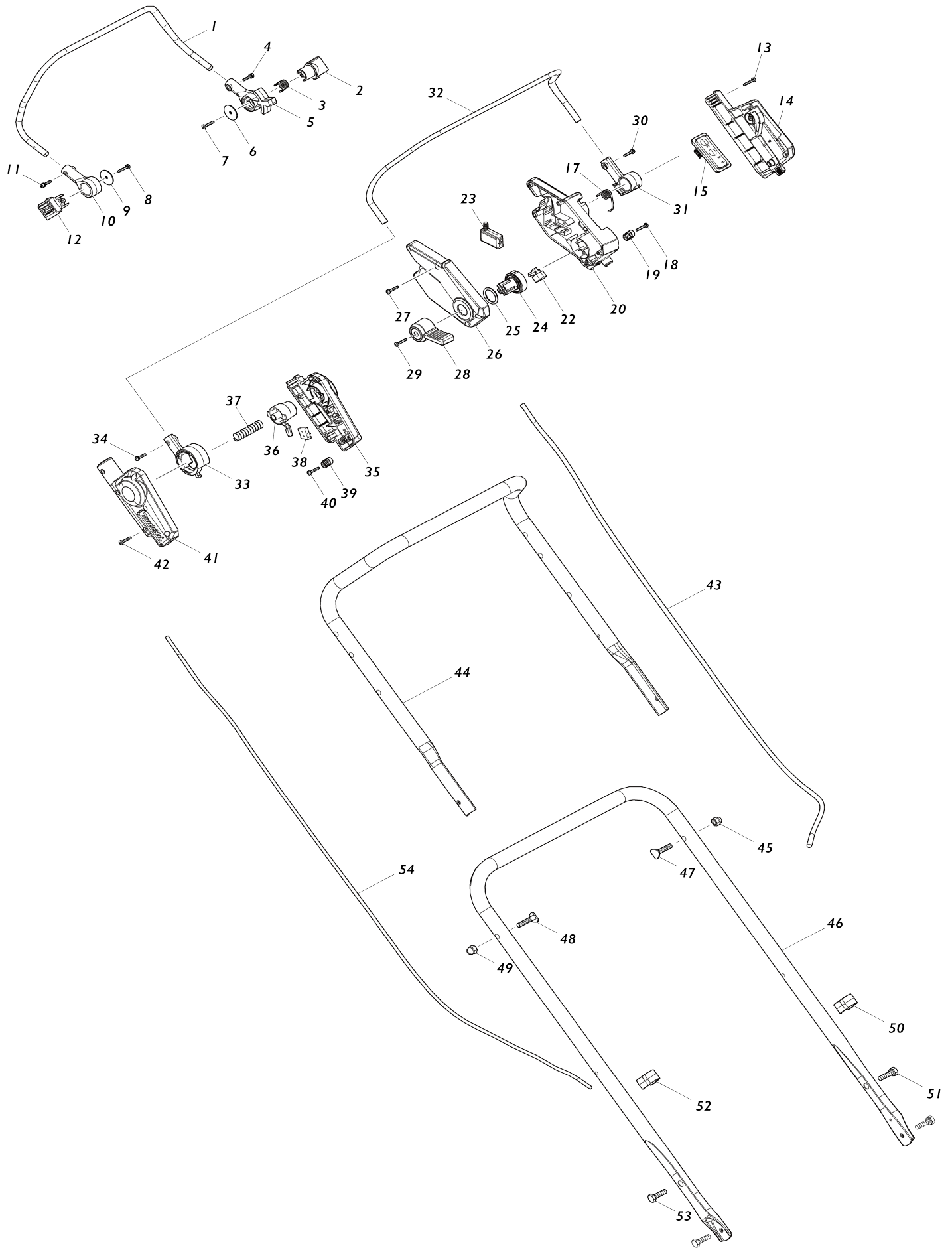
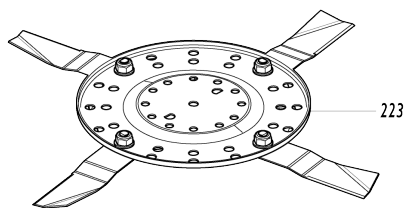
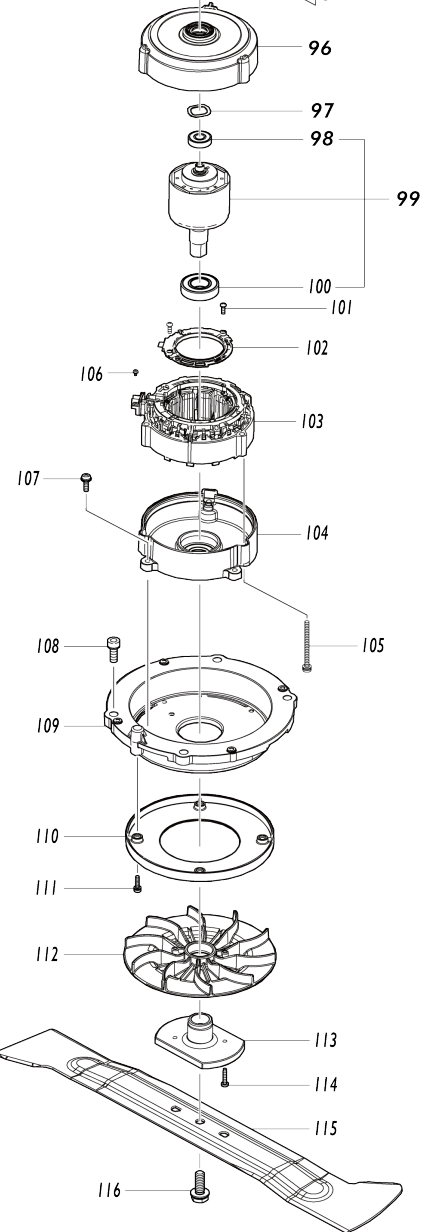
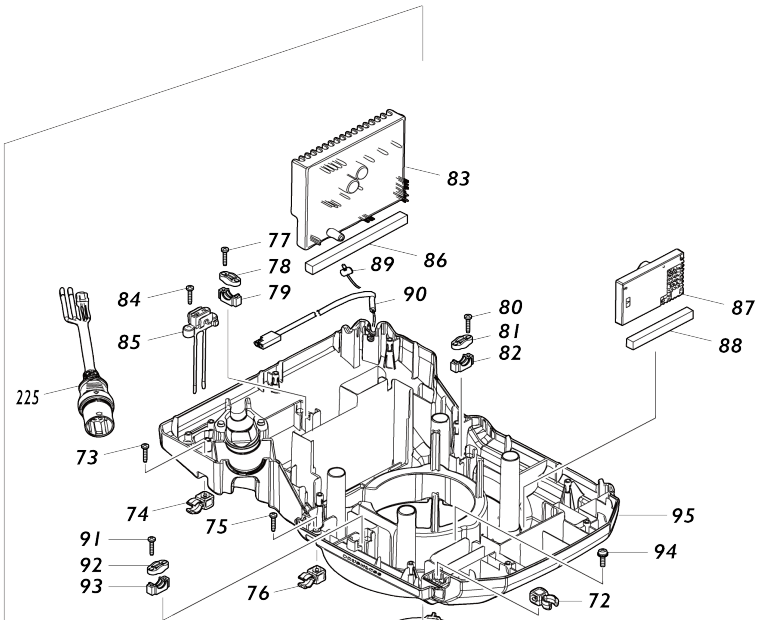
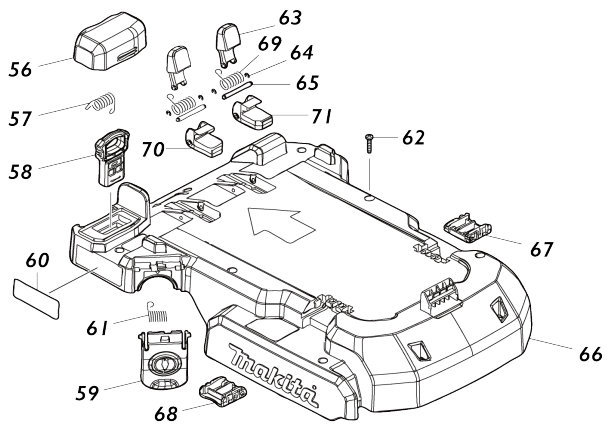


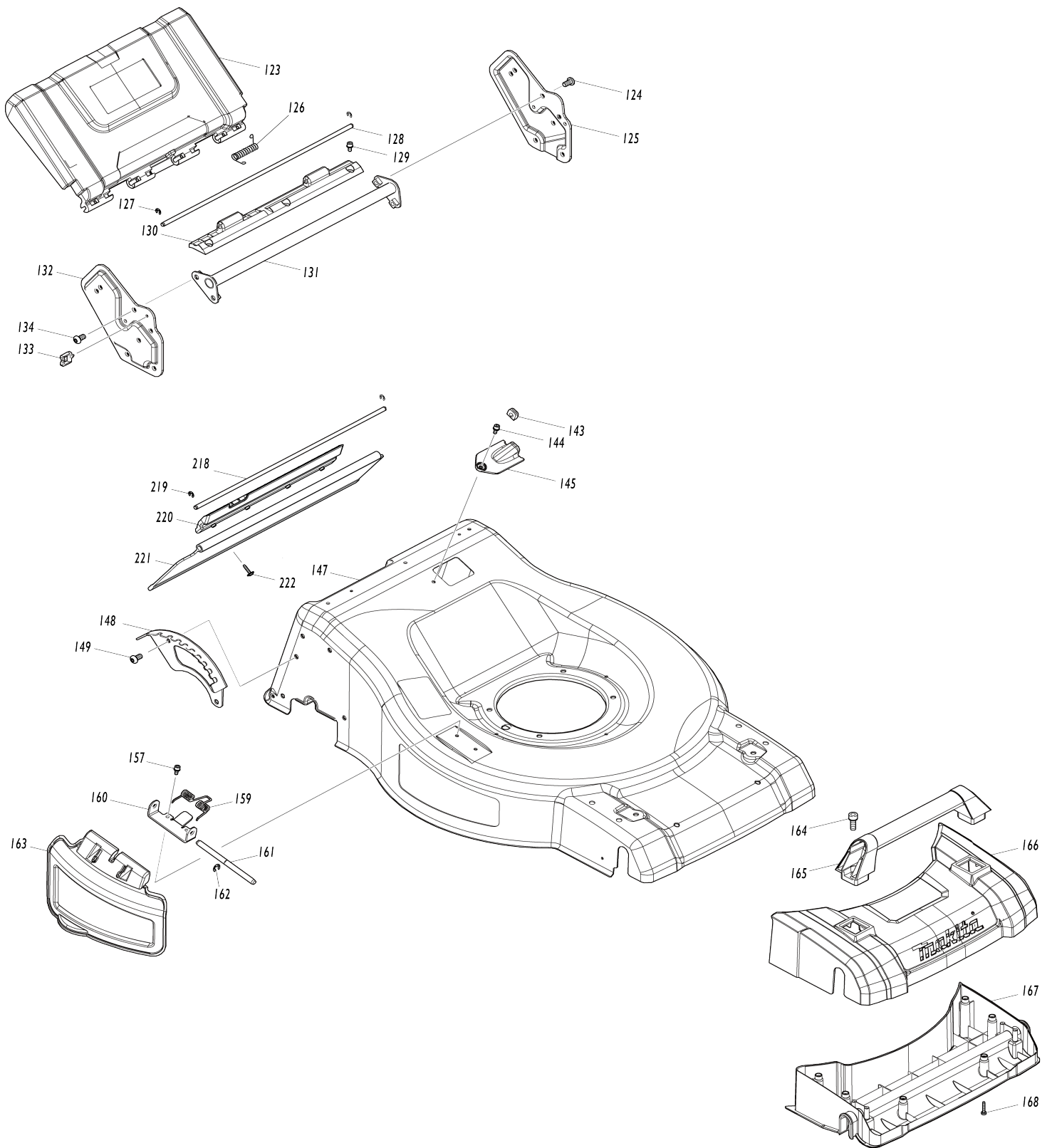
# Model No. LM001C BATTERY POWERED LAWN MOWER



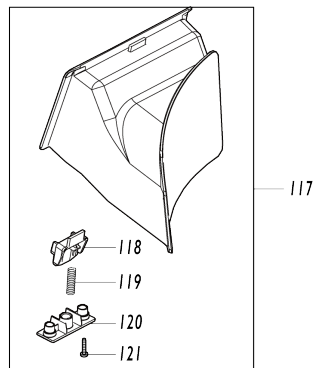
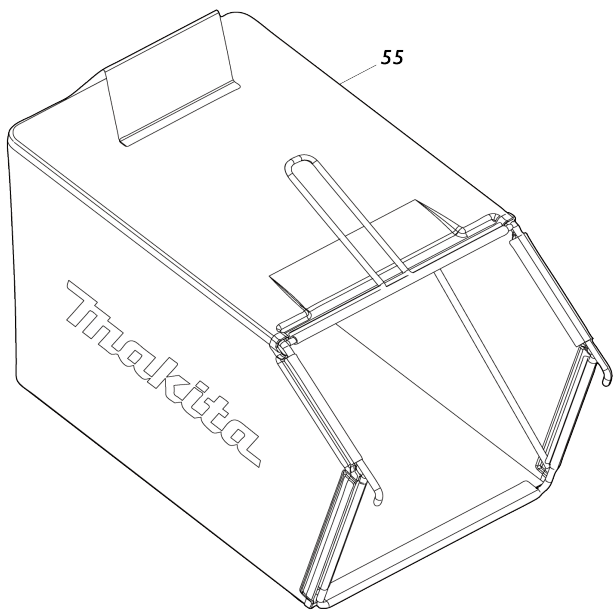
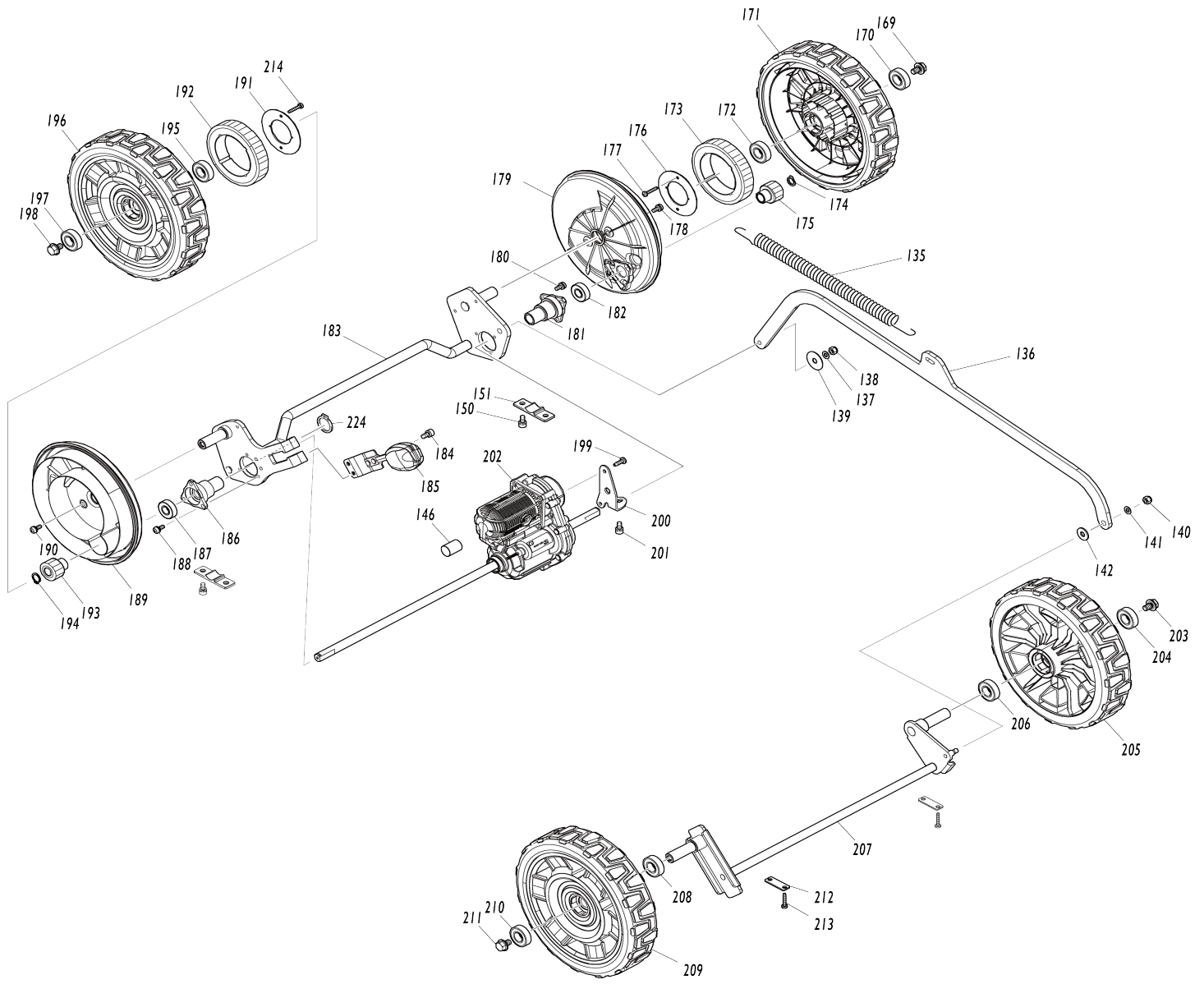
# Model No. LM001C BATTERY POWERED LAWN MOWER



# Model No. LM001C BATTERY POWERED LAWN MOWER



# Model No.LM001C BATTERY POWERED LAWN MOWER



Model No.LM001C BATTERY POWERED LAWN MOWER

Item No.	Parts No.	Description	Interchangability	Q'ty	New/Old	Note1	Note2
001	327425-6	DRIVING LEVER		1			
002	459859-6	DRIVING LEVER HOLDER		1			
003	232566-4	TORSION SPRING 12		1			
004	911138-5	P.H.SCREW M4X20 WITH WR		1			
005	459864-3	DRIVING LEVER SUPPORT L		1			
C10	931102-0	HEX. NUT M4		1			
006	267136-0	FLAT WASHER 5		1			
007	266424-2	TAPPING SCREW 4X20		1			
008	266424-2	TAPPING SCREW 4X20		1			
009	267136-0	FLAT WASHER 5		1			
010	459858-8	DRIVING LEVER SUPPORT R		1			
C10	931102-0	HEX. NUT M4		1			
011	911138-5	P.H.SCREW M4X20 WITH WR		1			
012	459859-6	DRIVING LEVER HOLDER		1			
013	266424-2	TAPPING SCREW 4X20		6			
014	183S75-9	SWITCH BOX SET		1			
D10		INC. 26					
015	141C58-9	SWITCH CIRCUIT COMPLETE		1			
C10	8031N1-9	SWITCH LABEL		1			
017	232575-3	TORSION SPRING 12		1			
018	266424-2	TAPPING SCREW 4X20		2			
019	687123-7	STRAIN RELIEF		1			
020	413824-9	SWITCH BOX		1			
022	620415-1	SUB CONTROLLER		1			
023	651083-9	SWITCH C3XA-1PSPM		1			
024	459866-9	SPEED LEVER HOLDER		1			
025	213897-0	O-RING 26		1			
026	183S75-9	SWITCH BOX SET		1			
D10		INC. 14					
027	266424-2	TAPPING SCREW 4X20		5			
028	459865-1	SPEED LEVER		1			
029	266424-2	TAPPING SCREW 4X20		1			
030	911138-5	P.H.SCREW M4X20 WITH WR		1			
031	459863-5	SWITCH LEVER SUPPORT L		1			
C10	931102-0	HEX. NUT M4		1			
032	327424-8	SWITCH LEVER		1			
033	459856-2	SWITCH LEVER SUPPORT R		1			
C10	931102-0	HEX. NUT M4		1			
034	911138-5	P.H.SCREW M4X20 WITH WR		1			
035	183P40-0	LEVER BOX SET		1	*		
C10	8007C6-9	INDICATION LABEL		1	*		
D10		INC. 41					
035-1	183X73-3	LEVER BOX SET	O	1			
C10	8007C6-9	INDICATION LABEL		1			
D10		INC. 41					
036	459857-0	LOCK OFF BUTTON		1			
037	231227-3	COMPRESSION SPRING 15		1			

038	632E26-0	SWITCH UNIT		1		
039	687124-5	STRAIN RELIEF		1		
040	266424-2	TAPPING SCREW 4X20		2		
041	183P40-0	LEVER BOX SET		1	*	
C10	8007C6-9	INDICATION LABEL		1	*	
D10		INC. 35				
041-1	183X73-3	LEVER BOX SET	O	1		
C10	8007C6-9	INDICATION LABEL		1		
D10		INC. 35				
042	266424-2	TAPPING SCREW 4X20		6		
043	699162-5	POWER SUPPLY CORD UNIT		1		
044	327421-4	HANDLE UPPER		1		
045	252278-3	HEX. CAP NUT M8		1		
046	327422-2	HANDLE LOWER		1		
047	265A62-3	FLAT HEAD BOLT M8X38		1		
048	265A62-3	FLAT HEAD BOLT M8X38		1		
049	252278-3	HEX. CAP NUT M8		1		
050	459905-5	CLAMP		1		
051	921451-3	HEX. BOLT M8X30		2		
052	459905-5	CLAMP		1		
053	921451-3	HEX. BOLT M8X30		2		
054	699142-1	POWER SUPPLY CORD UNIT		1		
055	127412-3	GRASS CATCHER ASSEMBLY		1	*	
055-1	122B20-7	GRASS CATCHER ASSEMBLY	O	1		
C10	162976-0	GRASS CATCHER		1		
C20	327866-6	GRASS CATCHER BRACKET		1		
056	413409-1	KEY COVER		1		
057	232681-4	TORSION SPRING 4		1		
058	643535-4	KEY		1		
059	413408-3	COVER		1		
060	811E55-8	LM001C NAME PLATE		1		
061	232681-4	TORSION SPRING 4		1		
062	266424-2	TAPPING SCREW 4X20		9		
063	413413-0	LEVER		2		
064	961017-7	STOP RING E-3		4		
065	327834-9	ROD 4		2		
066	141D09-8	COWLING UPPER COMPLETE		1		
C10	8031N2-7	CAUTION LABEL		1		
C20	8031N3-5	INDICATION LABEL		1		
067	413432-6	LATCH B		1		
068	413432-6	LATCH B		1		
069	232681-4	TORSION SPRING 4		2		
070	312B03-7	HOOK R		1		
071	312B02-9	HOOK L		1		
072	413613-2	HOLDER		1		
073	266424-2	TAPPING SCREW 4X20		1		
074	413613-2	HOLDER		1		
075	266424-2	TAPPING SCREW 4X20		1		
076	413613-2	HOLDER		1		
077	266424-2	TAPPING SCREW 4X20		2		
078	687123-7	STRAIN RELIEF		1		
079	687051-6	STRAIN RELIEF		1		

080	266424-2	TAPPING SCREW 4X20		2		
081	687124-5	STRAIN RELIEF		1		
082	687051-6	STRAIN RELIEF		1		
083	620E76-7	CONTROLLER		1		
084	266424-2	TAPPING SCREW 4X20		2		
085	638A15-9	LEAD UNIT		1		
086	422529-0	SPONGE B		1		
087	620E95-3	CONTROLLER		1		
088	422528-2	SPONGE A		1		
089	620C94-3	LED CIRCUIT		1		
090	699145-5	POWER SUPPLY CORD UNIT		1		
091	266424-2	TAPPING SCREW 4X20		2		
092	687124-5	STRAIN RELIEF		1		
093	687051-6	STRAIN RELIEF		1		
094	911233-1	PAN HEAD SCREW M5X20		4		
095	136404-1	COWLING LOWER ASSY		1		
D10		INC. 86,88				
096	319869-4	MOTOR HOUSING UPPER		1		
097	253455-0	WAVE WASHER 19		1		
098	210141-6	BALL BEARING 6000DDW		1		
099	519606-8	ROTOR ASSY		1		
D10		INC. 98,100				
100	211387-7	BALL BEARING 6004LLU		1		
101	265B29-7	TAPPING SCREW PT 2X8		2		
102	620B88-2	CONTROLLER B		1		
103	629465-3	STATOR		1		
104	319870-9	MOTOR HOUSING LOWER		1		
105	911691-1	PAN HEAD SCREW M5X70		3		
106	652031-1	PAN HEAD SCREW M3X6		3		
107	911233-1	PAN HEAD SCREW M5X20		4		
108	922441-9	HEX. SOCKET HEAD BOLT M8X25		4		
109	319867-8	MOTOR BRACKET		1		
110	459853-8	BAFFLE PLATE		1		
111	911126-2	PAN HEAD SCREW M4X16		4		
112	240205-2	FAN 170		1		
113	319868-6	BLADE SUPPORT		1		
114	266424-2	TAPPING SCREW 4X20		2		
115	191D52-7	BLADE 530 SET		1	*	
115-1	191W87-2	BLADE 530 SET	O	1		
116	265A69-9	HEX. BOLT M10X35 WITH WG		1		
117	127516-1	MULCHING PLUG ASSEMBLY		1		
D10		INC. 118-121				
118	459884-7	LOCK LEVER		1		
119	231401-3	COMPRESSION SPRING 7		1		
120	459885-5	LOCK LEVER SUPPORT		1		
121	266424-2	TAPPING SCREW 4X20		2		
123	140R96-8	REAR FLAP COMPLETE		1		
C10	8007P8-6	CAUTION LABEL		1		
124	265B20-5	HEX.SOCKET BUTTON HEAD BOL T M8		4		
125	347579-3	HANDLE BRACKET L		1		
126	233597-6	TORSION SPRING 8		1		

127	961018-5	STOP RING E-5		2		
128	327418-3	ROD 6		1		
129	922213-2	H.S.H.BOLT M5X12 WITH WR		3		
130	459877-4	REAR FLAP HOLDER PLATE		1		
131	162692-4	REAR GRIP		1		
132	347578-5	HANDLE BRACKET R		1		
133	451825-9	CLAMP		1		
134	265B20-5	HEX.SOCKET BUTTON HEAD BOL T M8		4		
135	232628-8	TENSION SPRING 16		1	*	
135-1	232711-1	TENSION SPRING 15	<	1		
136	347580-8	CONNECTING ROD		1		
137	941151-9	FLAT WASHER 6		1		
138	252014-7	HEX. LOCK NUT M6-10		1		
139	267216-2	FLAT WASHER 8		1		
140	252014-7	HEX. LOCK NUT M6-10		1		
141	941151-9	FLAT WASHER 6		1		
142	253762-1	FLAT WASHER 8		1		
143	422526-6	GROMMET		1		
144	922213-2	H.S.H.BOLT M5X12 WITH WR		1		
145	459880-5	LEAD COVER		1		
146	683A20-1	POLYOLEFIN TUBE		1		
147	141D12-9	DECK COMPLETE		1		
C10	8031N4-3	CAUTION LABEL		1		
148	347582-4	HEIGHT ADJUST PLATE		1		
149	265B20-5	HEX.SOCKET BUTTON HEAD BOL T M8		2		
150	922311-2	HEX. SOCKET HEAD BOLT M6X12		4		
151	313290-9	REAR SHAFT HOLDER COVER		2		
157	922213-2	H.S.H.BOLT M5X12 WITH WR		2		
159	232567-2	TORSION SPRING 9		1		
160	347584-0	SIDE DISCHARGE PLATE		1		
161	327420-6	ROD 8		1		
162	961013-5	STOP RING E-7		1		
163	459886-3	SIDE DISCHARGE COVER		1		
164	922441-9	HEX. SOCKET HEAD BOLT M8X25		2		
165	459870-8	FRONT GRIP		1		
166	459871-6	FRONT COVER		1		
167	459872-4	DECK UNDER COVER		1		
168	266424-2	TAPPING SCREW 4X20		6		
169	265324-3	HEX. FLANGE HEAD BOLT M8X12		1		
170	211247-3	BALL BEARING 6002DDW		1		
171	127513-7	REAR WHEEL ASSEMBLY		1		
172	211247-3	BALL BEARING 6002DDW		1		
173	226941-4	SPUR GEAR 49		1		
174	961052-5	RETAINING RING (EXT) S-12		1		
175	226940-6	SPUR GEAR 12		1		
176	347586-6	GEAR HOLDER PLATE		1		
177	266424-2	TAPPING SCREW 4X20		2		
178	911213-7	PAN HEAD SCREW M5X12		2		
179	459867-7	WHEEL CAP		1		
180	911213-7	PAN HEAD SCREW M5X12		3		



181	327426-4	REAR SHAFT HOLDER		1		
182	210163-6	BALL BEARING 6001DDW		1		
183	162689-3	REAR SHAFT		1		
184	922311-2	HEX. SOCKET HEAD BOLT M6X12		2		
185	162694-0	HEIGHT ADJUST LEVER COMPLETE		1		
186	313369-6	REAR SHAFT HOLDER R		1		
187	210163-6	BALL BEARING 6001DDW		1		
188	911213-7	PAN HEAD SCREW M5X12		3		
189	459867-7	WHEEL CAP		1		
190	911213-7	PAN HEAD SCREW M5X12		2		
191	347586-6	GEAR HOLDER PLATE		1		
192	226941-4	SPUR GEAR 49		1		
193	226940-6	SPUR GEAR 12		1		
194	961052-5	RETAINING RING (EXT) S-12		1		
195	211247-3	BALL BEARING 6002DDW		1		
196	127513-7	REAR WHEEL ASSEMBLY		1		
197	211247-3	BALL BEARING 6002DDW		1		
198	265324-3	HEX. FLANGE HEAD BOLT M8X12		1		
199	266388-0	TAPPING SCREW 5X16		2		
200	347585-8	BRACKET		1		
201	922311-2	HEX. SOCKET HEAD BOLT M6X12		1		
202	127510-3	DRIVE UNIT ASSEMBLY		1		
203	265324-3	HEX. FLANGE HEAD BOLT M8X12		1		
204	211247-3	BALL BEARING 6002DDW		1		
205	127514-5	FRONT WHEEL ASSEMBLY		1		
206	211247-3	BALL BEARING 6002DDW		1		
207	162688-5	FRONT SHAFT		1		
208	211247-3	BALL BEARING 6002DDW		1		
209	127514-5	FRONT WHEEL ASSEMBLY		1		
210	211247-3	BALL BEARING 6002DDW		1		
211	265324-3	HEX. FLANGE HEAD BOLT M8X12		1		
212	341462-6	PLATE		2		
213	266424-2	TAPPING SCREW 4X20		4		
214	266424-2	TAPPING SCREW 4X20		2		
224	961059-1	RETAINING RING (EXT) S-19		1		
225	699163-3	POWER SUPPLY CORD UNIT		1		
A01	327589-6	ROD 6		1		
D10		COMPO-PARTS				
A05	197280-8	BATTERY BL1850B SET		2		
D10		COMPO-PARTS				
A05	197280-8	BATTERY BL1850B SET		2		
A02	782210-8	SOCKET WRENCH 17		1		
A03	782212-4	SOCKET WRENCH 13		1		
A04	459887-1	SIDE DISCHARGE MOUTH		1		
E01	8031M9-6	SOUND LABEL		1	*	
E01-1	8048W2-5	SOUND LABEL	<	1		
F01	191D48-8	SWING BACK BLADE 530 SET		1		
F02	191D50-1	SWING BACK BLADE 530 CPL. SET		1		
F03	191D52-7	BLADE 530 SET		1		

Please state Parts No. when your order.

Print Date 03/01/2024