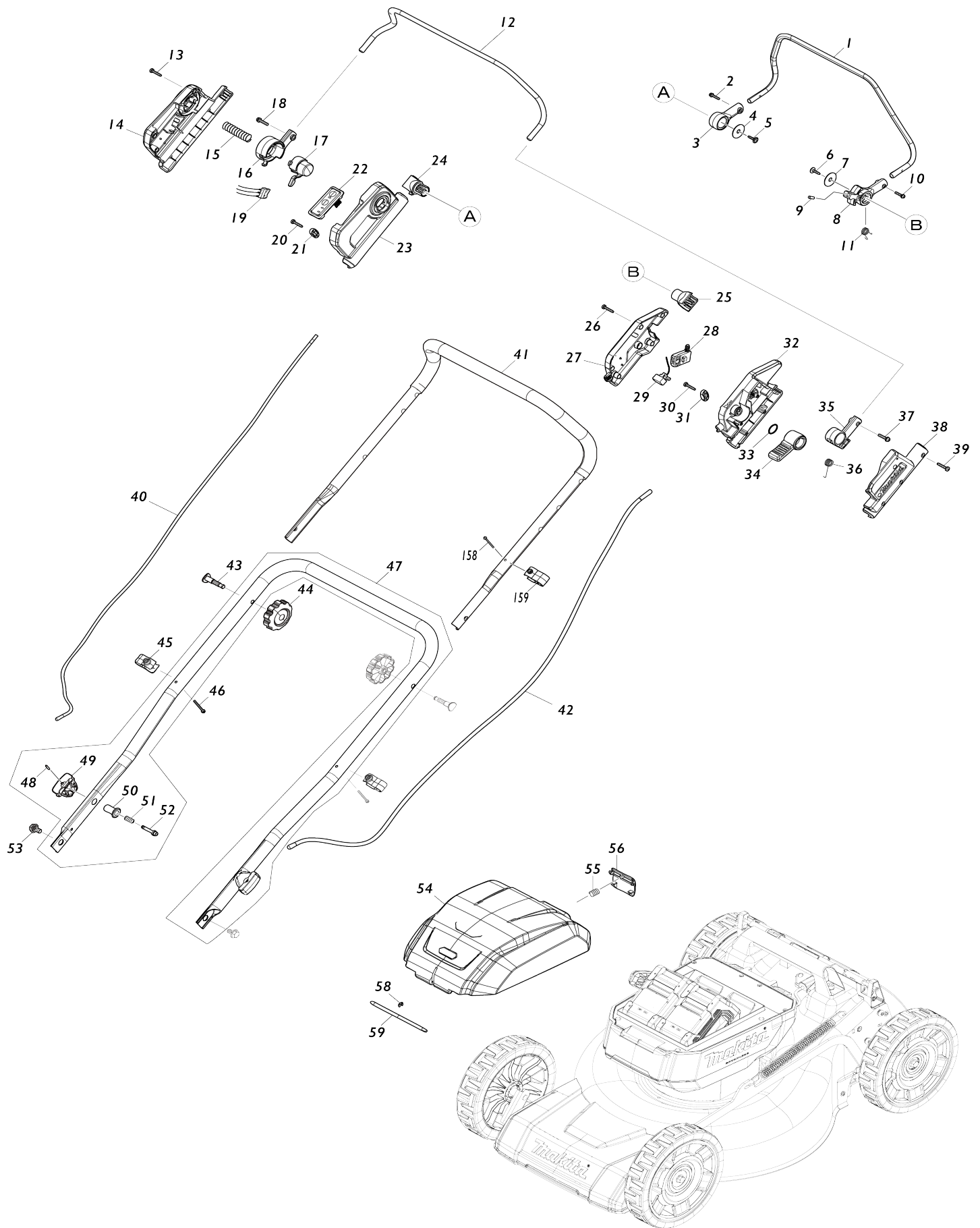
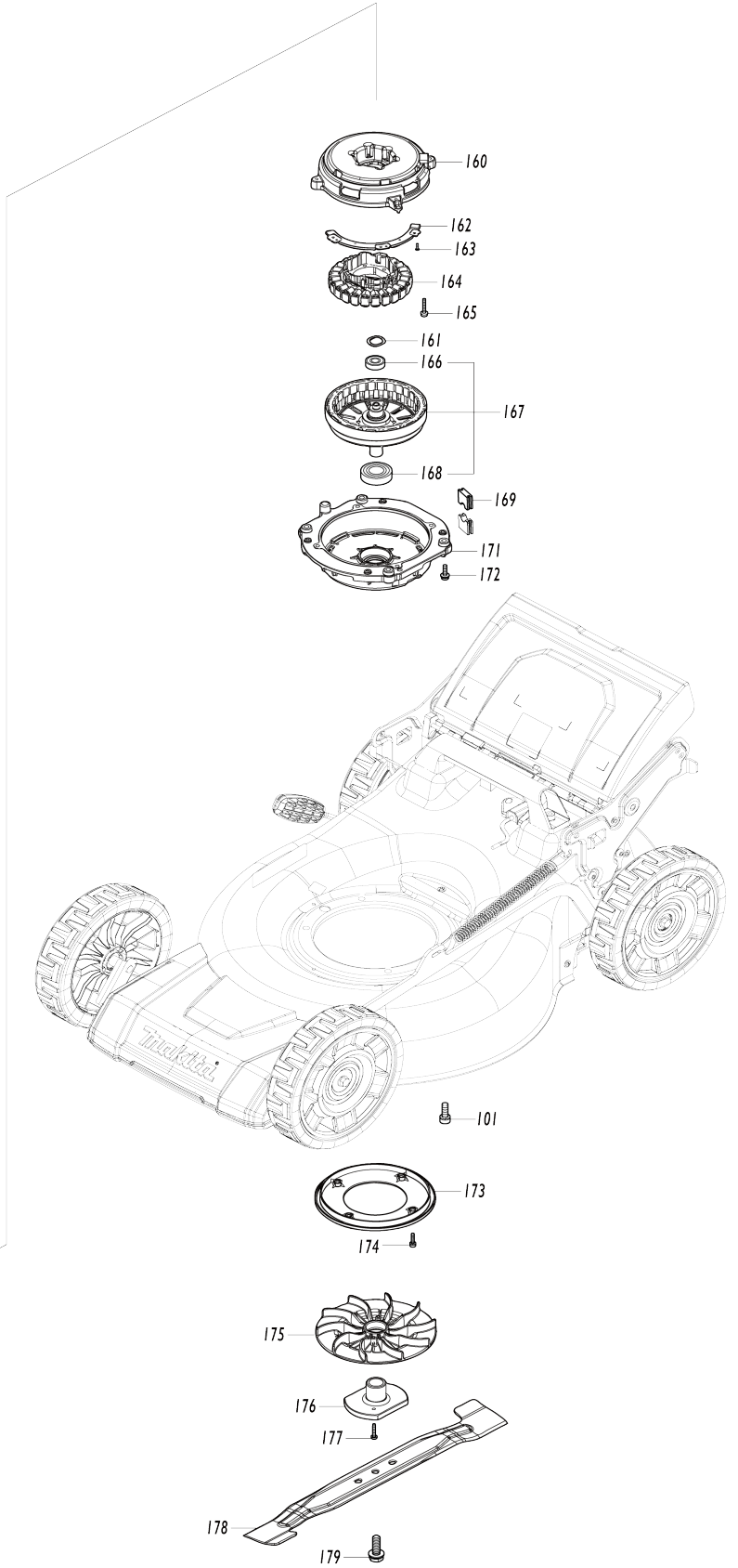
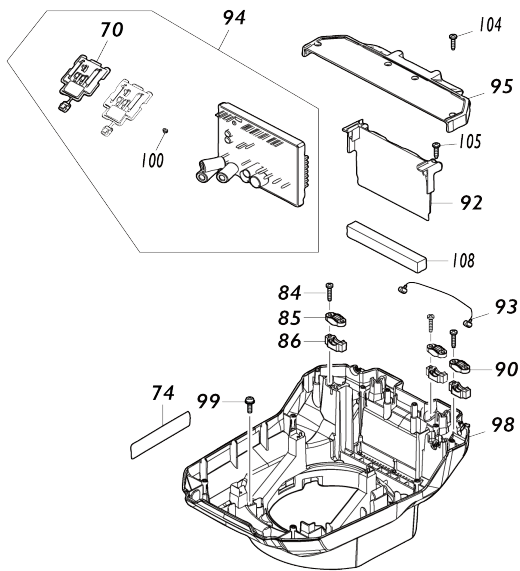
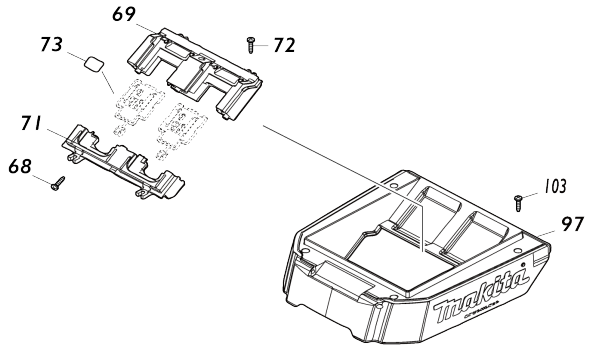


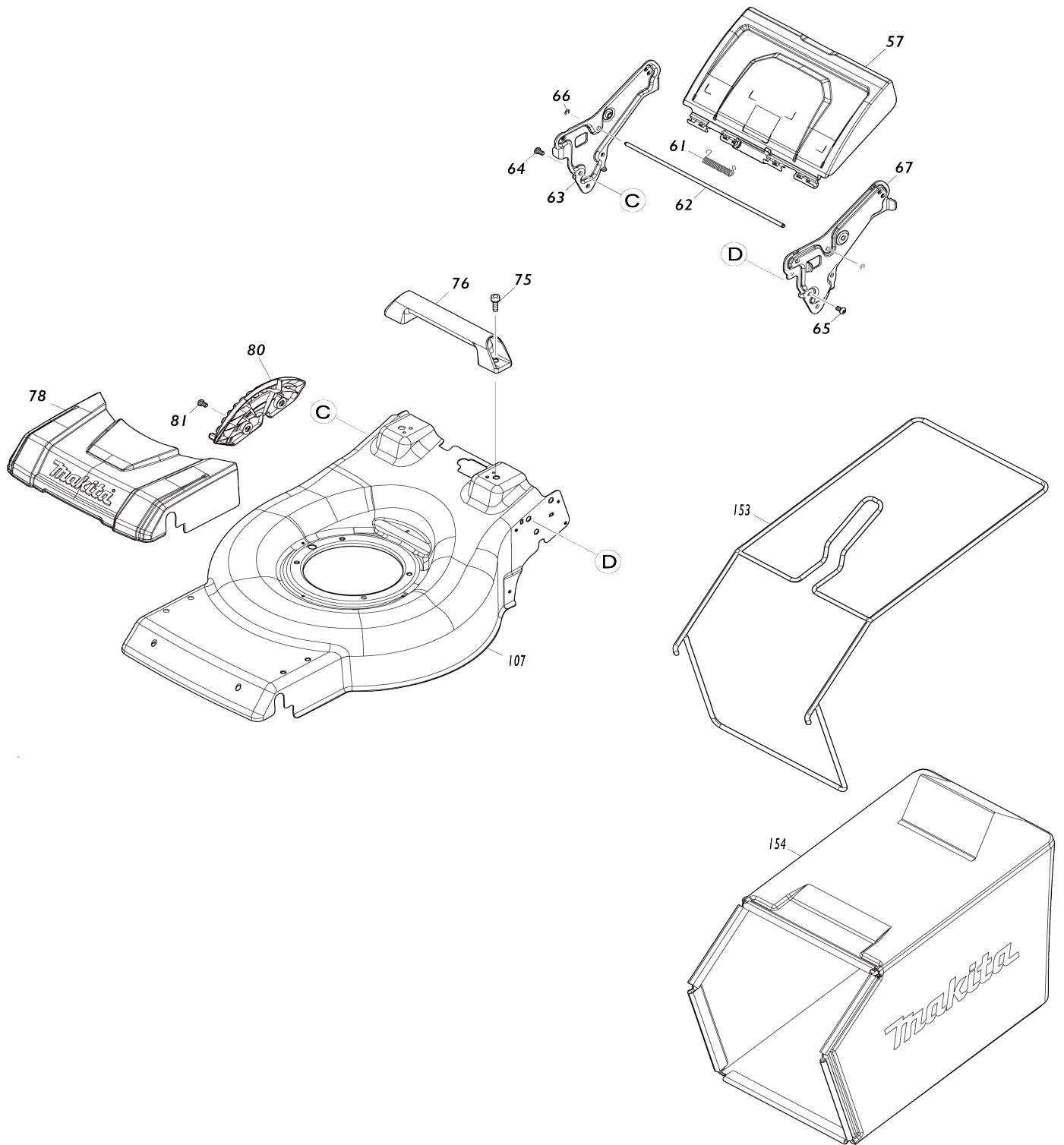
Model No. LM001G 480MM CORDLESS LAWN MOWER



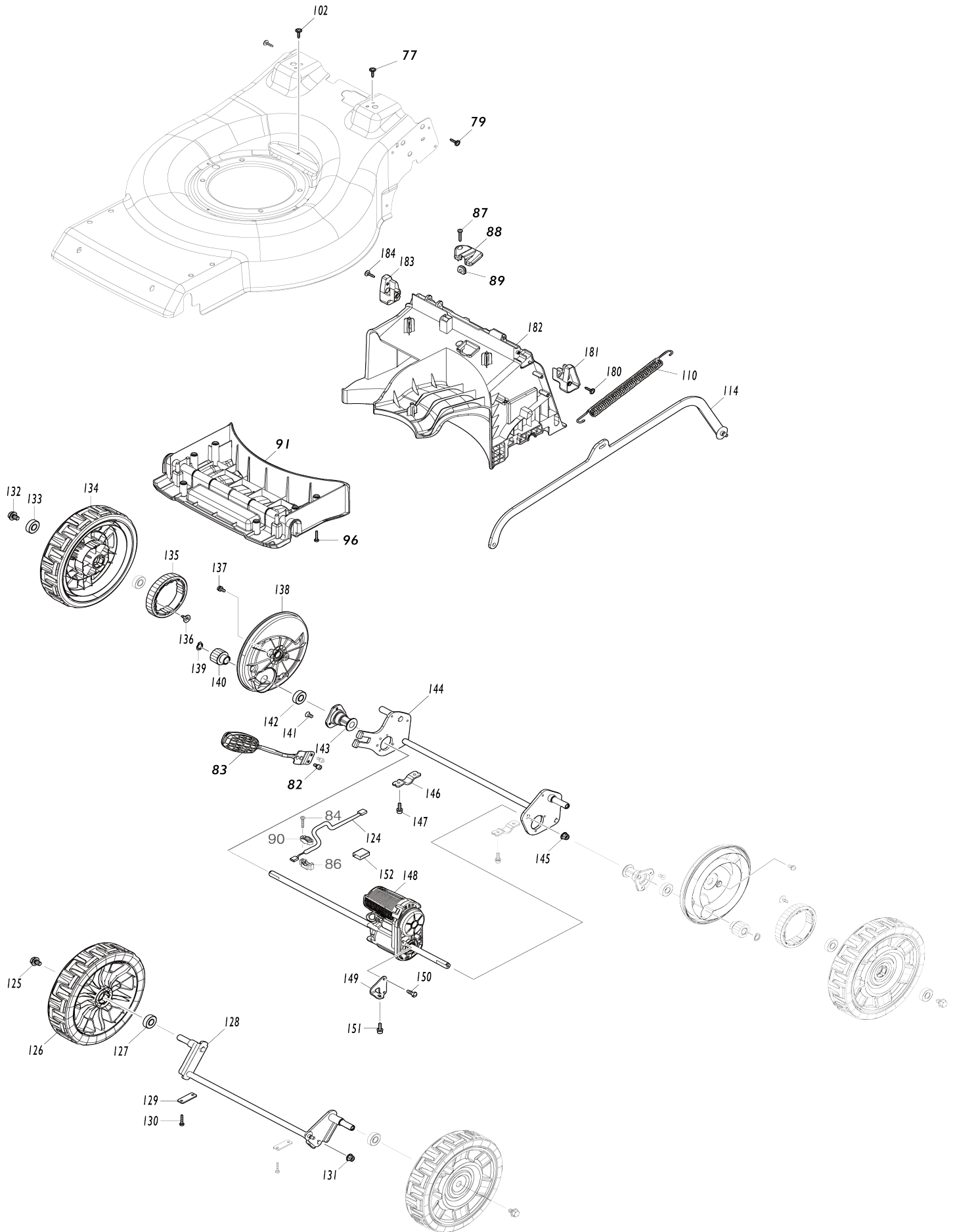
Model No. LM001G 480MM CORDLESS LAWN MOWER



Model No. LM001G 480MM CORDLESS LAWN MOWER



Model No.LM001G 480MM CORDLESS LAWN MOWER



Model No.LM001G 480MM CORDLESS LAWN MOWER

Item No.	Parts No.	Description	Interchangability	Q'ty	New/Old	Note1	Note2
001	327425-6	DRIVING LEVER		1			
002	911138-5	P.H.SCREW M4X20 WITH WR		1			
003	459858-8	DRIVING LEVER SUPPORT R		1			
C10	931102-0	HEX. NUT M4		1			
004	253814-8	FLAT WASHER 8		1			
005	265620-9	TAPPING SCREW FLANGE 4X18		1			
006	265620-9	TAPPING SCREW FLANGE 4X18		1			
007	253814-8	FLAT WASHER 8		1			
008	413B10-4	DRIVING LEVER SUPPORT L		1			
C10	931102-0	HEX. NUT M4		1			
009	268225-4	PIN 5		1			
010	911138-5	P.H.SCREW M4X20 WITH WR		1			
011	232566-4	TORSION SPRING 12		1			
012	327424-8	SWITCH LEVER		1			
013	266424-2	TAPPING SCREW 4X20		6			
014	183X93-7	SWITCH BOX SET		1			
C10	8044A1-9	INDICATION LABEL		1			
D10		INC. 23					
015	231227-3	COMPRESSION SPRING 15		1			
016	459856-2	SWITCH LEVER SUPPORT R		1			
C10	931102-0	HEX. NUT M4		1			
017	459857-0	LOCK OFF BUTTON		1			
018	911138-5	P.H.SCREW M4X20 WITH WR		1			
019	632T11-3	SWITCH UNIT		1			
020	266424-2	TAPPING SCREW 4X20		2			
021	687123-7	STRAIN RELIEF		1			
022	141M31-9	SWITCH CIRCUIT COMPLETE		1			
C10	539258-9	SWITCH PLATE ASS'Y		1			
C20	266490-9	TAPPING SCREW PT 2X6		3			
023	183X93-7	SWITCH BOX SET		1			
C10	8044A1-9	INDICATION LABEL		1			
D10		INC. 14					
024	413A98-8	DRIVING LEVER HOLDER		1			
025	413A98-8	DRIVING LEVER HOLDER		1			
026	266424-2	TAPPING SCREW 4X20		5			
027	183U35-3	LEVER BOX SET		1			
D10		INC. 38					
028	651083-9	SWITCH C3XA-1PSM		1			
029	620J45-8	DIAL CIRCUIT		1			
030	266424-2	TAPPING SCREW 4X20		2			
031	687123-7	STRAIN RELIEF		1			
032	413A95-4	LEVER BOX C		1			
033	213A12-2	O-RING 18		1			
034	413B01-5	SPEED LEVER		1			
035	459863-5	SWITCH LEVER SUPPORT L		1			
C10	931102-0	HEX. NUT M4		1			
036	232575-3	TORSION SPRING 12		1			

037	911138-5	P.H.SCREW M4X20 WITH WR	1		
038	183U35-3	LEVER BOX SET	1		
D10		INC. 27			
039	266424-2	TAPPING SCREW 4X20	5		
040	699211-8	POWER SUPPLY CORD UNIT	1		
041	327871-3	HANDLE UPPER	1		
042	699212-6	POWER SUPPLY CORD UNIT	1		
043	265C08-1	FLAT HEAD BOLT M8X50	2		
044	265C06-5	THUMB NUT M8	2		
045	413L52-8	CLAMP	2		
C10	931102-0	HEX. NUT M4	2		
046	911168-6	PAN HEAD SCREW M4X40	2		
047	122D37-2	HANDLE LOWER ASSEMBLY	1		
D10		INC. 48-52			
048	258004-8	SPRING PIN 2.5-16	2		
049	413943-1	KNOB	2		
050	327A66-4	LOCK HOLDER	2		
051	234121-8	COMPRESSION SPRING 8	2		
052	327A65-6	LOCK PIN	2		
053	265C07-3	HEX. BOLT M8	2		
054	136879-4	BATTERY COVER ASS'Y	1		
C10	8046H7-8	INDICATION LABEL	1		
C20	8032A7-2	XGT LOGO LABEL	1		
055	231037-8	COMPRESSION SPRING 7	1		
056	459852-0	LOCK LEVER	1		
057	141M20-4	REAR FLAP COMPLETE	1		
C10	8047H4-0	CAUTION LABEL	1		
058	961018-5	STOP RING E-5	1		
059	327536-7	ROD 6	1		
061	232721-8	TORSION SPRING 8	1		
062	327A63-0	ROD 6	1		
063	347A56-1	HANDLE BRACKET R	1		
064	265B20-5	HEX.SOCKET BUTTON HEAD BOL T M8	3		
065	265B20-5	HEX.SOCKET BUTTON HEAD BOL T M8	3		
066	961018-5	STOP RING E-5	2		
067	347A55-3	HANDLE BRACKET L	1		
068	266424-2	TAPPING SCREW 4X20	3		
069	183X12-3	TERMINAL HOUSING SET	1		
C10	263005-3	RUBBER PIN 6	4		
D10		INC. 71			
070	632T08-2	TERMINAL UNIT	2		
071	183X12-3	TERMINAL HOUSING SET	1		
C10	263005-3	RUBBER PIN 6	4		
D10		INC. 69			
072	266424-2	TAPPING SCREW 4X20	4		
073	8582B1-6	LM001G SERIAL NO. LABEL	1		
074	8582A8-5	LM001G NAME PLATE	1		
075	922441-9	HEX. SOCKET HEAD BOLT M8X25	2		
076	413L42-1	REAR GRIP	1		
077	265620-9	TAPPING SCREW FLANGE 4X18	2		

078	413L32-4	FRONT COVER		1		
079	265620-9	TAPPING SCREW FLANGE 4X18		7		
080	413L44-7	HEIGHT ADJUST PLATE		1		
081	265B20-5	HEX.SOCKET BUTTON HEAD BOL T M8		2		
082	922311-2	HEX. SOCKET HEAD BOLT M6X12		2		
083	162B98-8	HEIGHT ADJUST LEVER COMPLET E		1		
084	266424-2	TAPPING SCREW 4X20		6		
085	687123-7	STRAIN RELIEF		2		
086	687051-6	STRAIN RELIEF		3		
087	266424-2	TAPPING SCREW 4X20		1		
088	413L50-2	LEAD COVER		1		
089	422526-6	GROMMET		1		
090	687124-5	STRAIN RELIEF		1		
091	413L34-0	DECK UNDER COVER F		1		
092	413L30-8	INNER PLATE		1		
093	620J46-6	LED CIRCUIT		1		
094	539256-3	CONTROLLER ASS'Y		1		
D10		INC. 70,100				
095	141M28-8	COWLING COVER COMPLETE		1		
096	266424-2	TAPPING SCREW 4X20		6		
097	413L22-7	COWLING UPPER		1		
098	413L21-9	COWLING LOWER		1		
099	911233-1	PAN HEAD SCREW M5X20		4		
100	652031-1	PAN HEAD SCREW M3X6		4		
101	922441-9	HEX. SOCKET HEAD BOLT M8X25		4		
102	265620-9	TAPPING SCREW FLANGE 4X18		1		
103	266424-2	TAPPING SCREW 4X20		4		
104	266424-2	TAPPING SCREW 4X20		4		
105	266424-2	TAPPING SCREW 4X20		2		
107	141S43-8	DECK COMPLETE		1		
108	422956-1	SPONGE		1		
110	232628-8	TENSION SPRING 16		1		
114	347A57-9	CONNECTING ROD		1		
124	699214-2	POWER SUPPLY CORD UNIT		1		
125	265324-3	HEX. FLANGE HEAD BOLT M8X12		2		
126	141M25-4	TIRE 230 COMPLETE		2		
127	210163-6	BALL BEARING 6001DDW		2		
128	162B99-6	FRONT SHAFT		1		
129	347869-4	PLATE		2		
130	266424-2	TAPPING SCREW 4X20		4		
131	252301-4	HEX. FLANGE LOCK NUT M6-10		1		
132	265324-3	HEX. FLANGE HEAD BOLT M8X12		2		
133	210163-6	BALL BEARING 6001DDW		4		
134	141M26-2	TIRE 230 COMPLETE		2		
135	227913-2	SPUR GEAR 49		2		
136	265B00-1	TAPPING SCREW FLANGE 4X12		4		
137	911213-7	PAN HEAD SCREW M5X12		4		
138	413L40-5	WHEEL CAP		2		
139	961052-5	RETAINING RING (EXT) S-12		2		
140	227A00-3	SPUR GEAR 12		2		

141	251951-2	HEX. SOCKET C.S.H. SCREW M5X10		6		
142	210163-6	BALL BEARING 6001DDW		2		
143	313390-5	REAR SHAFT HOLDER		2		
144	162C01-5	REAR SHAFT		1		
145	252301-4	HEX. FLANGE LOCK NUT M6-10		1		
146	347865-2	CLAMP 19		2		
147	922223-9	H.S.H.BOLT M5X16 WITH WR		4		
148	122D26-7	DRIVE UNIT		1		
149	347A59-5	BRACKET		1		
150	266388-0	TAPPING SCREW 5X16		2		
151	922223-9	H.S.H.BOLT M5X16 WITH WR		1		
152	683A20-1	POLYOLEFIN TUBE		1		
153	162C44-7	GRASS CATCHER BRACKET		1		
154	162C11-2	GRASS CATCHER		1		
158	911163-6	PAN HEAD SCREW M4X35		1		
159	413944-9	CLAMP		1		
C10	931102-0	HEX. NUT M4		1		
160	141M30-1	STATOR BASE COMPLETE		1		
161	253455-0	WAVE WASHER 19		1		
162	620J44-0	CONTROLLER B		1		
163	265C89-5	FLAT HEAD SCREW M3X10		3		
164	629B84-7	STATOR		1		
165	911148-2	PAN HEAD SCREW M4X25		6		
166	210059-1	BALL BEARING 6000DDW		1		
167	519785-2	ROTOR ASS'Y		1		
D10		INC. 166,168				
168	211332-2	BALL BEARING 6004LLU		1		
169	422955-3	GROMMET		2		
171	312D43-7	BRACKET		1		
172	911233-1	PAN HEAD SCREW M5X20		4		
173	413L53-6	BAFFLE PLATE		1		
174	911126-2	PAN HEAD SCREW M4X16		4		
175	240205-2	FAN 170		1		
176	312D47-9	BLADE SUPPORT 480		1		
177	266424-2	TAPPING SCREW 4X20		2		
178	191Y64-6	BLADE 480 SET		1		
179	265A69-9	HEX. BOLT M10X35 WITH WG		1	*	
179-1	265D72-8	HEX. BOLT M10X35 WG	<	1		
180	265620-9	TAPPING SCREW FLANGE 4X18		1		
181	183X16-5	GRASS GUARD SET		1		
D10		INC. 183				
182	413L36-6	DECK UNDER COVER R		1		
C10	252329-2	SQUARE NUT M5		5		
183	183X16-5	GRASS GUARD SET		1		
D10		INC. 181				
184	265620-9	TAPPING SCREW FLANGE 4X18		1		
A01	327589-6	ROD 6		1		
D10		COMPO-PARTS				
A05	197280-8	BATTERY BL1850B SET		2		
D10		COMPO-PARTS				
A05	197280-8	BATTERY BL1850B SET		2		

A02	413L54-4	MULCHING PLUG 480		1			
A03	413L56-0	DISCHARGE CHUTE		1			
A04	782210-8	SOCKET WRENCH 17		1			
E01	688140-0	LINE FILTER		1			
E02	688131-1	LINE FILTER		1	*		
E02-1	688131-1	LINE FILTER	O	1			
E03	800A17-7	SOUND 94DB LABEL		1			
A05	412393-7	BATTERY COVER		2			
A06	***DC40RC	DC40RC FAST CHARGER		1			
D10		COMPO-PARTS					
A07	191L47-8	BATTERY BL4050F SET		2			

Please state Parts No. when your order.

Print Date 03/01/2024