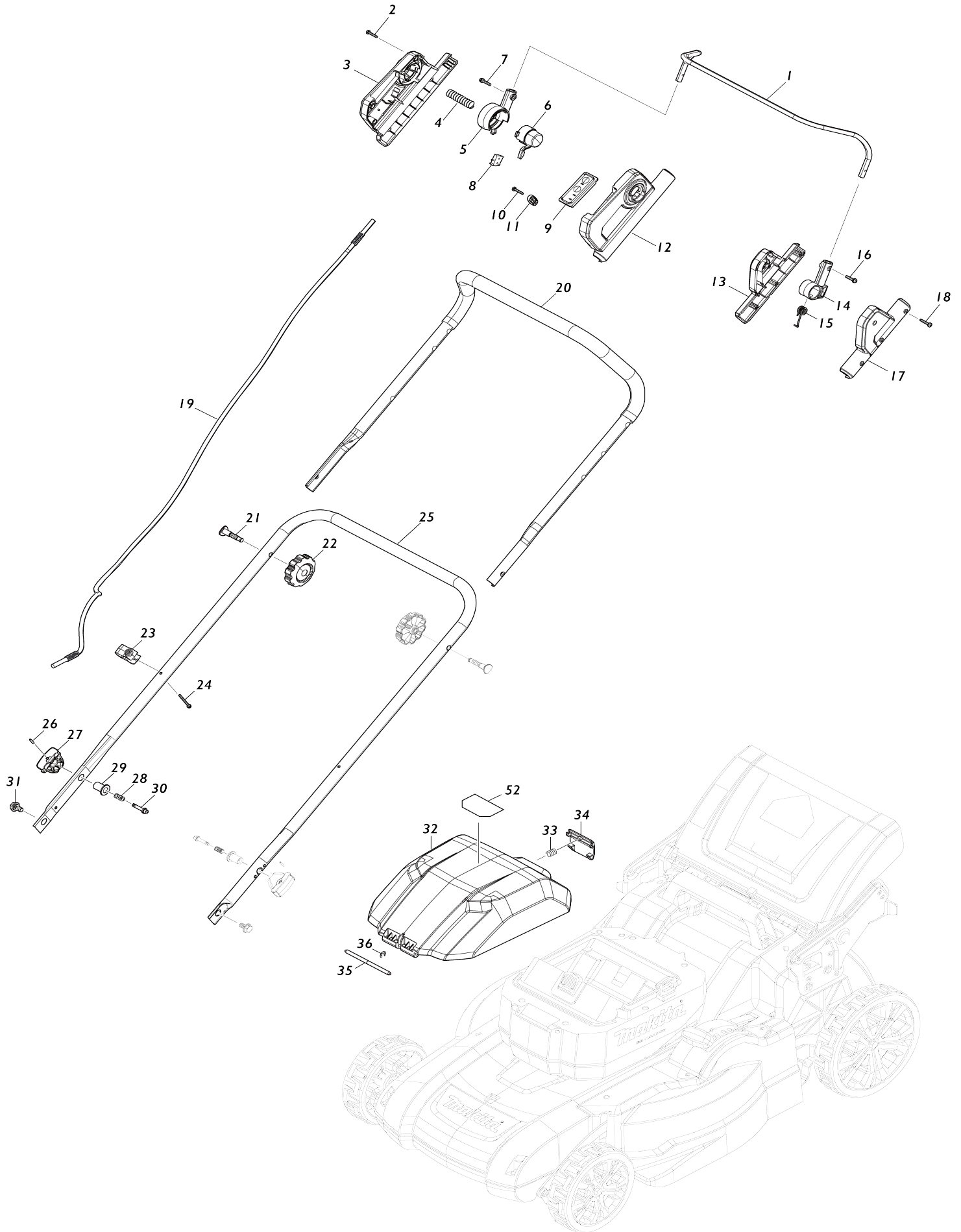
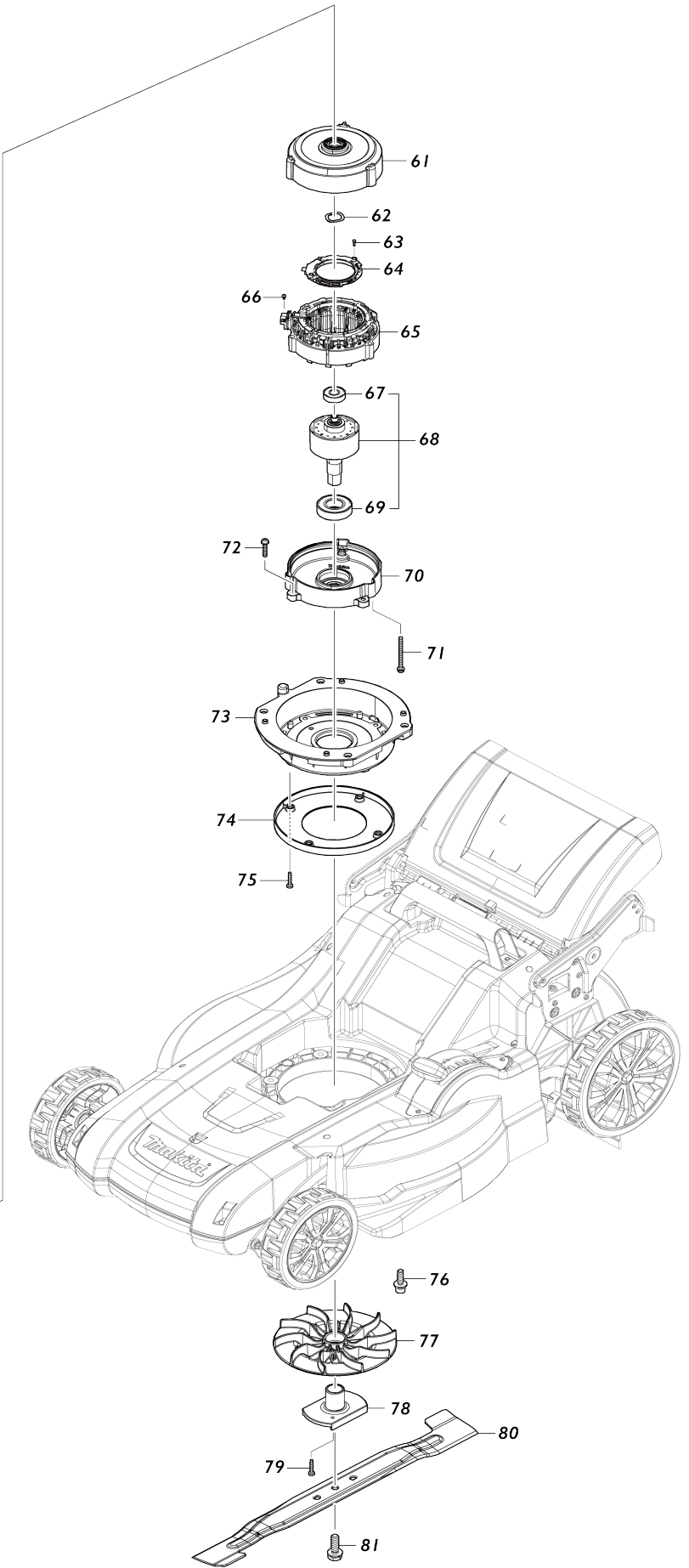
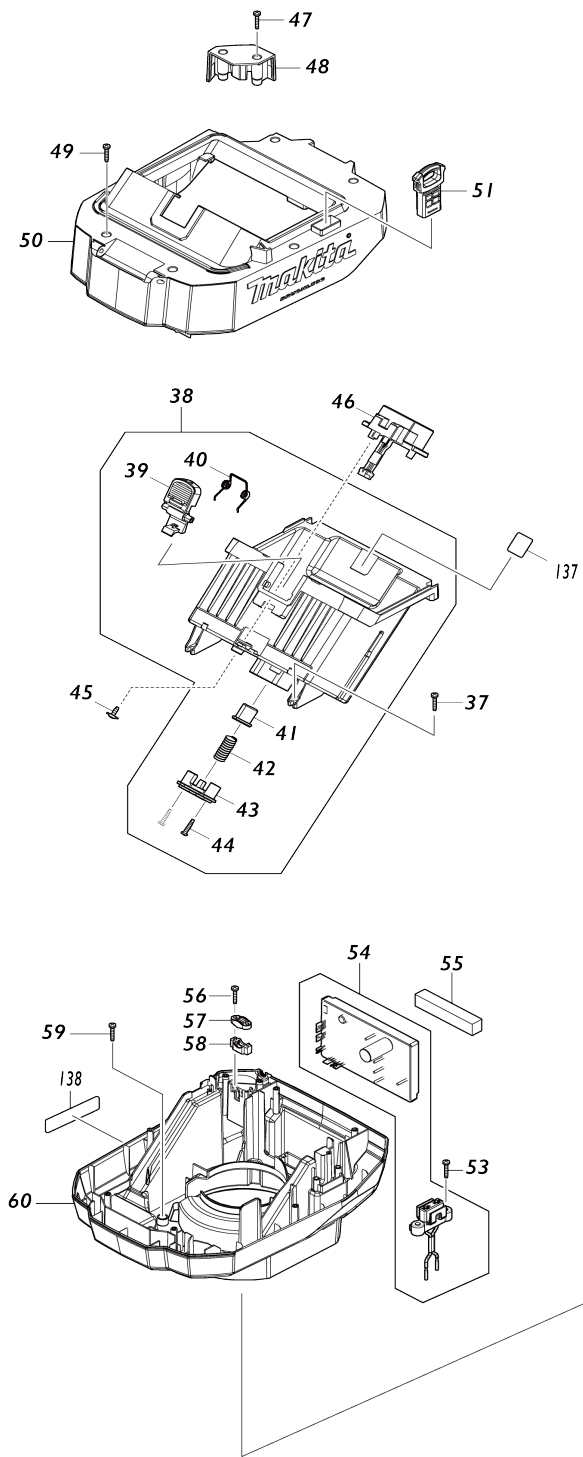


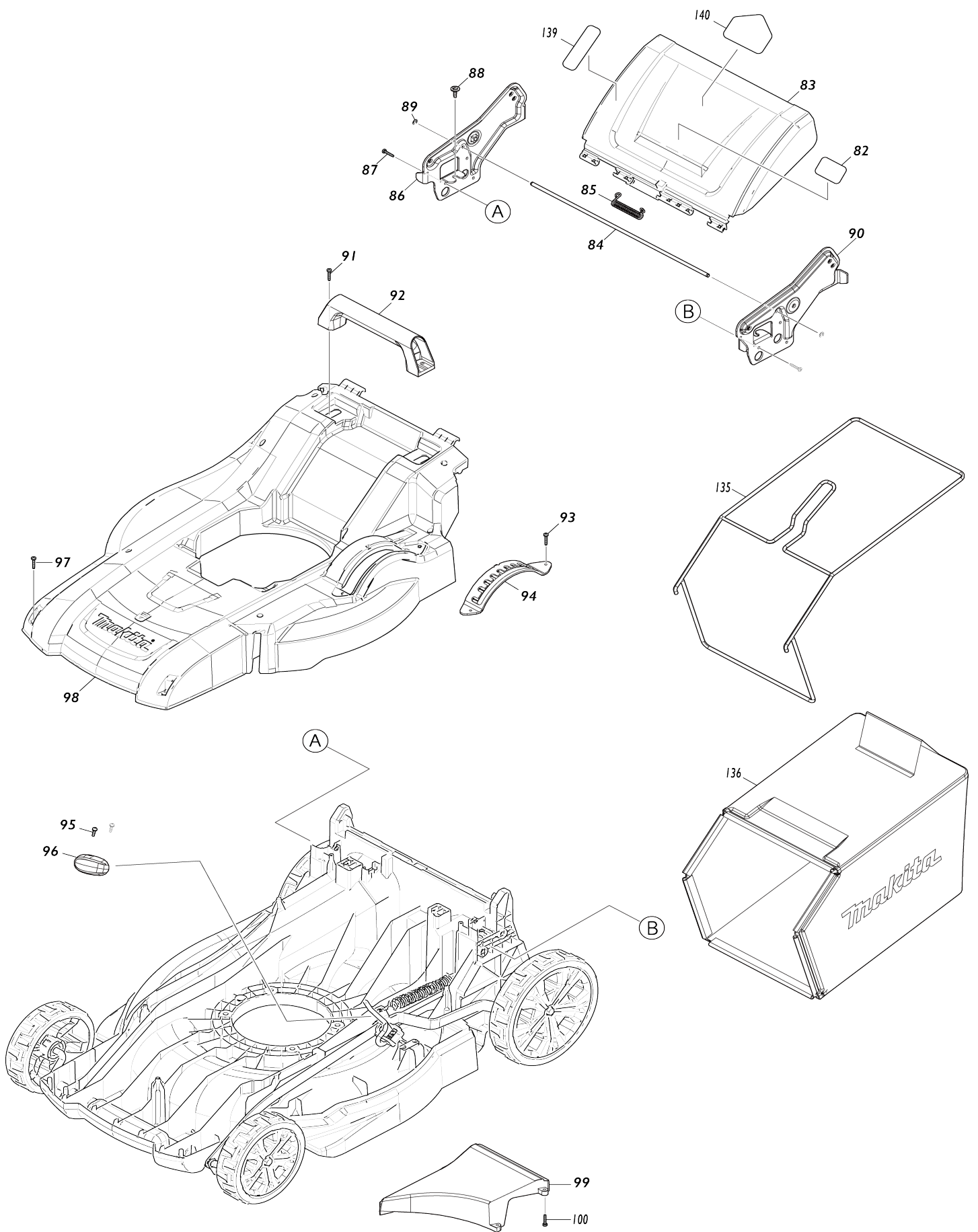
Model No.LM002J 530MM CORDLESS LAWN MOWER



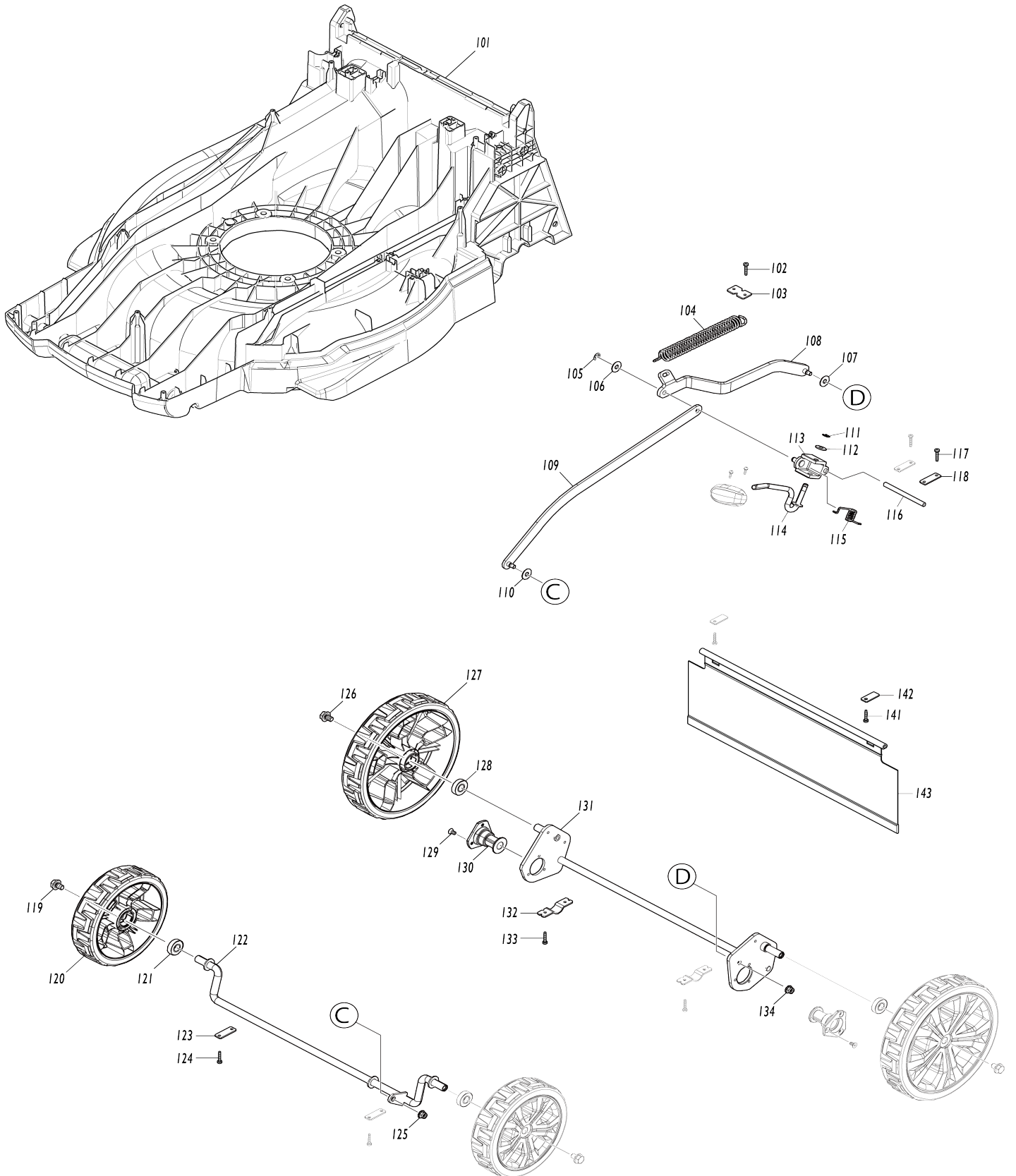
Model No.LM002J 530MM CORDLESS LAWN MOWER



Model No.LM002J 530MM CORDLESS LAWN MOWER



Model No. LM002J 530MM CORDLESS LAWN MOWER



Model No.LM002J 530MM CORDLESS LAWN MOWER

Item No.	Parts No.	Description	Interchangability	Q'ty	New/Old	Note1	Note2
001	327424-8	SWITCH LEVER		1			
002	266424-2	TAPPING SCREW 4X20		6			
003	183U73-5	SWITCH BOX SET		1			
C10	8044A1-9	INDICATION LABEL		1			
D10		INC. 12					
004	231227-3	COMPRESSION SPRING 15		1			
005	459856-2	SWITCH LEVER SUPPORT R		1			
C10	931102-0	HEX. NUT M4		1			
006	459857-0	LOCK OFF BUTTON		1			
007	911138-5	P.H.SCREW M4X20 WITH WR		1			
008	632T11-3	SWITCH UNIT		1			
009	141E30-3	SWITCH CIRCUIT COMPLETE		1			
C10	8031N1-9	SWITCH LABEL		1			
010	266424-2	TAPPING SCREW 4X20		2			
011	687123-7	STRAIN RELIEF		1			
012	183U73-5	SWITCH BOX SET		1			
C10	8044A1-9	INDICATION LABEL		1			
D10		INC. 3					
013	183U21-4	LEVER BOX SET		1			
D10		INC. 17					
014	459863-5	SWITCH LEVER SUPPORT L		1			
C10	931102-0	HEX. NUT M4		1			
015	232575-3	TORSION SPRING 12		1			
016	911138-5	P.H.SCREW M4X20 WITH WR		1			
017	183U21-4	LEVER BOX SET		1			
D10		INC. 13					
018	266424-2	TAPPING SCREW 4X20		4			
019	699175-6	POWER SUPPLY CORD UNIT		1			
020	327871-3	HANDLE UPPER		1			
021	265C08-1	FLAT HEAD BOLT M8X50		2			
022	265C06-5	THUMB NUT M8		2			
023	413944-9	CLAMP		1			
C10	931102-0	HEX. NUT M4		1			
024	911163-6	PAN HEAD SCREW M4X35		1			
025	122A72-2	HANDLE LOWER ASSEMBLY		1			
D10		INC. 26-30					
026	258004-8	SPRING PIN 2.5-16		2			
027	413943-1	KNOB		2			
028	234121-8	COMPRESSION SPRING 8		2			
029	327877-1	LOCK HOLDER		2			
030	327876-3	LOCK PIN		2			
031	265C07-3	HEX. BOLT M8		2			
032	141E26-4	BATTERY COVER COMPLETE		1	*		
C10	890380-0	CAUTION LABEL		1	*		
032-1	141H54-7	BATTERY COVER COMPLETE	O	1			
C10	8044A3-5	CAUTION LABEL		1			
033	231037-8	COMPRESSION SPRING 7		1			

034	459852-0	LOCK LEVER		1		
035	327875-5	ROD 6		1		
036	961018-5	STOP RING E-5		1		
037	266424-2	TAPPING SCREW 4X20		4		
038	122A74-8	BATTERY HOUSING ASSEMBLY		1	*	
D10		INC. 39-44				
038-1	122D36-4	BATTERY HOUSING ASSEMBLY	S	1		
D10		INC. 39-44				
039	413942-3	LOCK LEVER		1		
040	232716-1	TORSION SPRING 9		1		
041	413940-7	SPRING HOLDER		1		
042	232718-7	COMPRESSION SPRING 11		1		
043	413941-5	SPRING SUPPORT		1		
044	266424-2	TAPPING SCREW 4X20		2		
045	265B00-1	TAPPING SCREW FLANGE 4X12		2		
046	632S59-9	TERMINAL UNIT		1	*	
046-1	632U17-7	TERMINAL UNIT	S	1		
047	266424-2	TAPPING SCREW 4X20		2		
048	413932-6	LEAD COVER		1		
049	266424-2	TAPPING SCREW 4X20		6		
050	122B29-9	COWLING UPPER ASSEMBLY		1		
C10	422756-9	SPONGE SEAL		1		
051	643535-4	KEY		1		
052	8046H9-4	INDICATION LABEL		1		
053	266424-2	TAPPING SCREW 4X20		2		
054	620G27-2	CONTROLLER		1		
C10	688140-0	LINE FILTER		2		
C20	688163-8	LINE FILTER		1		
055	422757-7	SPONGE		1		
056	266424-2	TAPPING SCREW 4X20		2		
057	687123-7	STRAIN RELIEF		1		
058	687051-6	STRAIN RELIEF		1		
059	266424-2	TAPPING SCREW 4X20		4		
060	413930-0	COWLING LOWER		1		
061	319869-4	MOTOR HOUSING UPPER		1		
062	253455-0	WAVE WASHER 19		1		
063	265B29-7	TAPPING SCREW PT 2X8		2		
064	620B88-2	CONTROLLER B		1		
065	629A87-5	STATOR		1		
066	652031-1	PAN HEAD SCREW M3X6		3		
067	210141-6	BALL BEARING 6000DDW		1		
068	519711-1	ROTOR ASS'Y		1		
D10		INC. 67,69				
069	211387-7	BALL BEARING 6004LLU		1		
070	313391-3	MOTOR HOUSING LOWER		1		
071	911681-4	PAN HEAD SCREW M5X60		3		
072	911243-8	PAN HEAD SCREW M5X25		4		
073	413928-7	MOTOR BRACKET		1		
C10	931202-6	HEX. NUT M5		4		
074	459853-8	BAFFLE PLATE		1		
075	266424-2	TAPPING SCREW 4X20		4		
076	265C22-7	H.S.H.BOLT M8X30 WITH WG		4		

077	240229-8	FAN 170		1			
078	313392-1	BLADE SUPPORT 530		1			
079	266424-2	TAPPING SCREW 4X20		2			
080	191V96-5	BLADE 530 SET		1			
081	265A69-9	HEX. BOLT M10X35 WITH WG		1	*		
081-1	265D72-8	HEX. BOLT M10X35 WG	<	1			
082	8043Y5-3	CAUTION LABEL		1	*		
082-1	8044A0-1	CAUTION LABEL	O	1			
083	141H22-0	REAR FLAP COMPLETE		1	*		
D10		INC. 82					
083-1	141H24-6	REAR FLAP COMPLETE	O	1			
D10		INC. 82					
084	327418-3	ROD 6		1			
085	232721-8	TORSION SPRING 8		1			
086	347867-8	HANDLE BRACKET R		1			
087	266420-0	TAPPING SCREW 5X20		6	*		
087-1	266553-1	TAPPING SCREW 5X30	<	6			
088	265C05-7	TAPPING SCREW FRANGE 5X20		2			
089	961018-5	STOP RING E-5		2	*		
089-1	259084-7	STOP RING (EXT) E-5	O	2			
090	347866-0	HANDLE BRACKET L		1			
091	266424-2	TAPPING SCREW 4X20		4			
092	413938-4	REAR GRIP		1			
093	266424-2	TAPPING SCREW 4X20		2			
094	162993-0	HEIGHT ADJUST PLATE		1			
095	266816-5	+ PAN HEAD SCREW M3X12 WIT H WR		2			
096	413939-2	HEIGHT ADJUST LEVER GRIP		1			
097	266424-2	TAPPING SCREW 4X20		9	*		
097-1	266424-2	TAPPING SCREW 4X20	O	11			
098	413919-8	DECK COVER		1			
099	413920-3	DECK REAR COVER		1			
100	266424-2	TAPPING SCREW 4X20		4			
101	413918-0	DECK		1			
102	266424-2	TAPPING SCREW 4X20		2			
103	347870-9	HOOK PLATE		1			
104	232717-9	TENSION SPRING 17		1			
105	961012-7	STOP RING E-6		1	*		
105-1	252301-4	HEX. FLANGE LOCK NUT M6-10	<	1			
106	253731-2	FLAT WASHER 8		1	*		
107	253731-2	FLAT WASHER 8		1			
108	347873-3	CONNECTING ROD R		1			
109	347871-7	CONNECTING ROD F		1			
110	253731-2	FLAT WASHER 8		1			
111	961012-7	STOP RING E-6		1	*		
111-1	259085-5	STOP RING (EXT)E-6	O	1			
112	267281-1	FLAT WASHER 8		1			
113	313389-0	ROD HOLDER		1			
114	327872-1	HEIGHT ADJUST LEVER		1			
115	232715-3	TORSION SPRING 9		1			
116	327873-9	ROD 7		1			
117	266424-2	TAPPING SCREW 4X20		4			

118	347869-4	PLATE		2			
119	265324-3	HEX. FLANGE HEAD BOLT M8X12		2			
120	141E34-5	TIRE 180 COMPLETE		2			
121	210163-6	BALL BEARING 6001DDW		2			
122	162989-1	FRONT SHAFT		1			
123	347869-4	PLATE		2			
124	266424-2	TAPPING SCREW 4X20		4			
125	252301-4	HEX. FLANGE LOCK NUT M6-10		1			
126	265324-3	HEX. FLANGE HEAD BOLT M8X12		2			
127	141E35-3	TIRE 230 COMPLETE		2			
128	210163-6	BALL BEARING 6001DDW		2			
129	912207-5	COUNTERSUNK HEAD SCREW M5 X10		6	*		
129-1	251951-2	HEX. SOCKET C.S.H. SCREW M5X10	O	6			
130	313390-5	REAR SHAFT HOLDER		2			
131	162990-6	REAR SHAFT		1			
132	347865-2	CLAMP 19		2			
133	266424-2	TAPPING SCREW 4X20		4	*		
133-1	266553-1	TAPPING SCREW 5X30	<	4			
134	252301-4	HEX. FLANGE LOCK NUT M6-10		1			
135	162A27-5	GRASS CATCHER BRACKET		1	*		
135-1	162C45-5	GRASS CATCHER BRACKET	<	1			
136	162B25-5	GRASS CATCHER		1	*		
136-1	162C13-8	GRASS CATCHER	<	1			
137	8113M9-4	LM002J SERIAL NO. LABEL		1			
138	8113M3-6	LM002J NAME PLATE		1			
A01	327589-6	ROD 6		1			
A02	413945-7	MULCHING PLUG 530		1			
A03	782210-8	SOCKET WRENCH 17		1			
E01	819V87-1	SOUND 96DB LABEL		1			
F01	191V96-5	BLADE 530 SET		1			
A04	191R06-8	BATTERY BL6440 SET		1			
A05	413A28-9	BATTERY COVER		1			
A06	***DC64WA	DC64WA BATTERY CHARGER		1			
D10		COMPO-PARTS					

Please state Parts No. when your order.

Print Date 03/14/2024