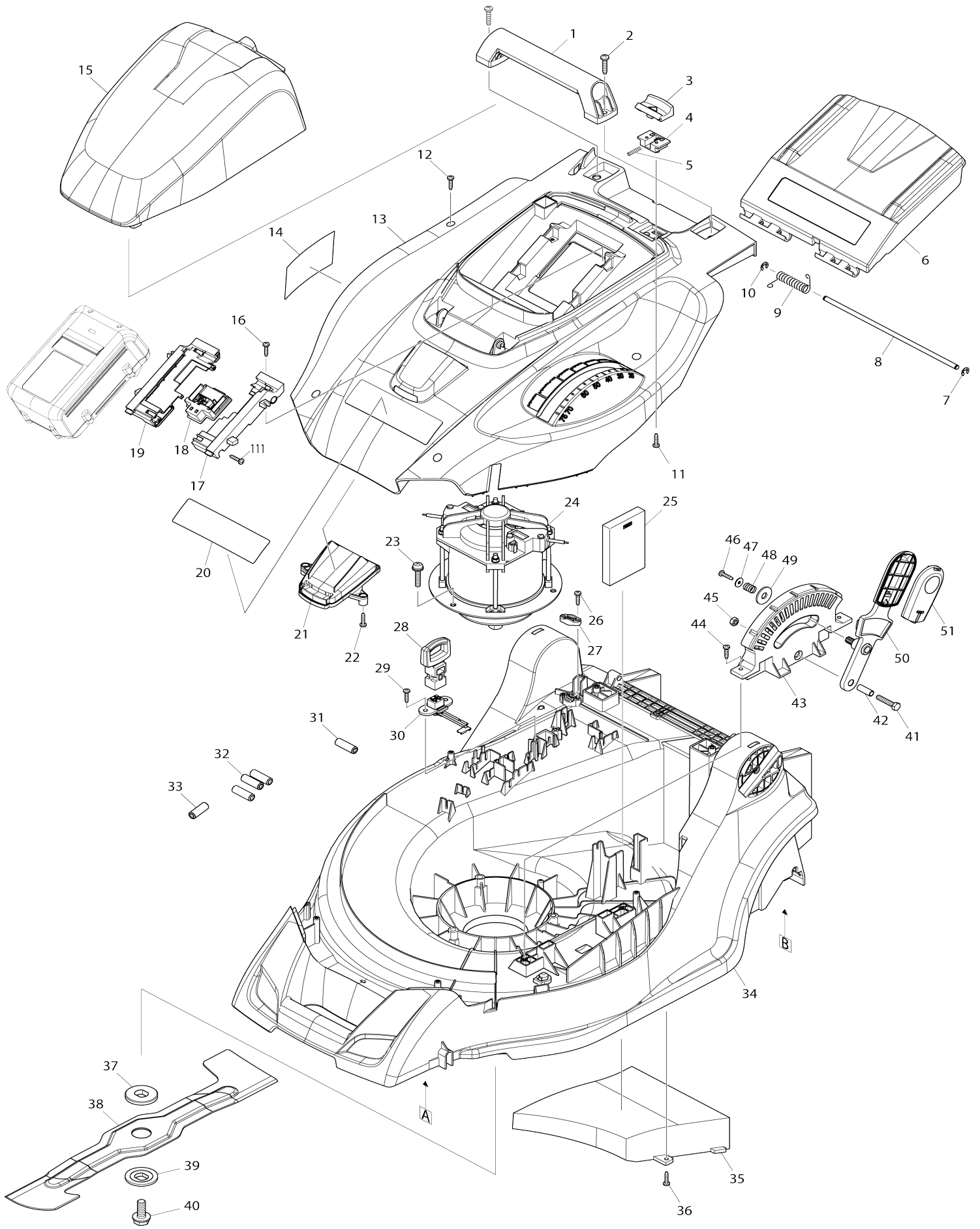
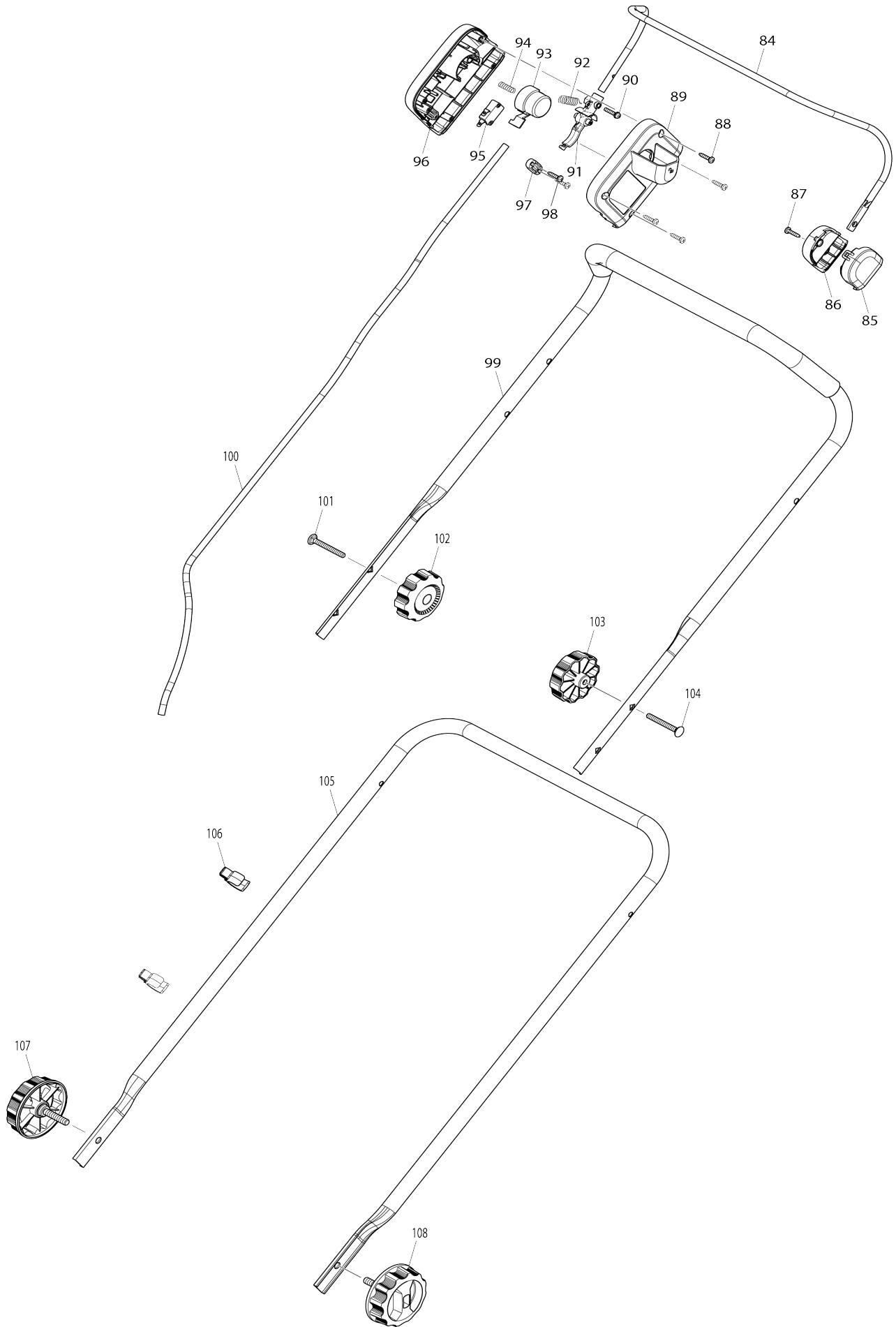


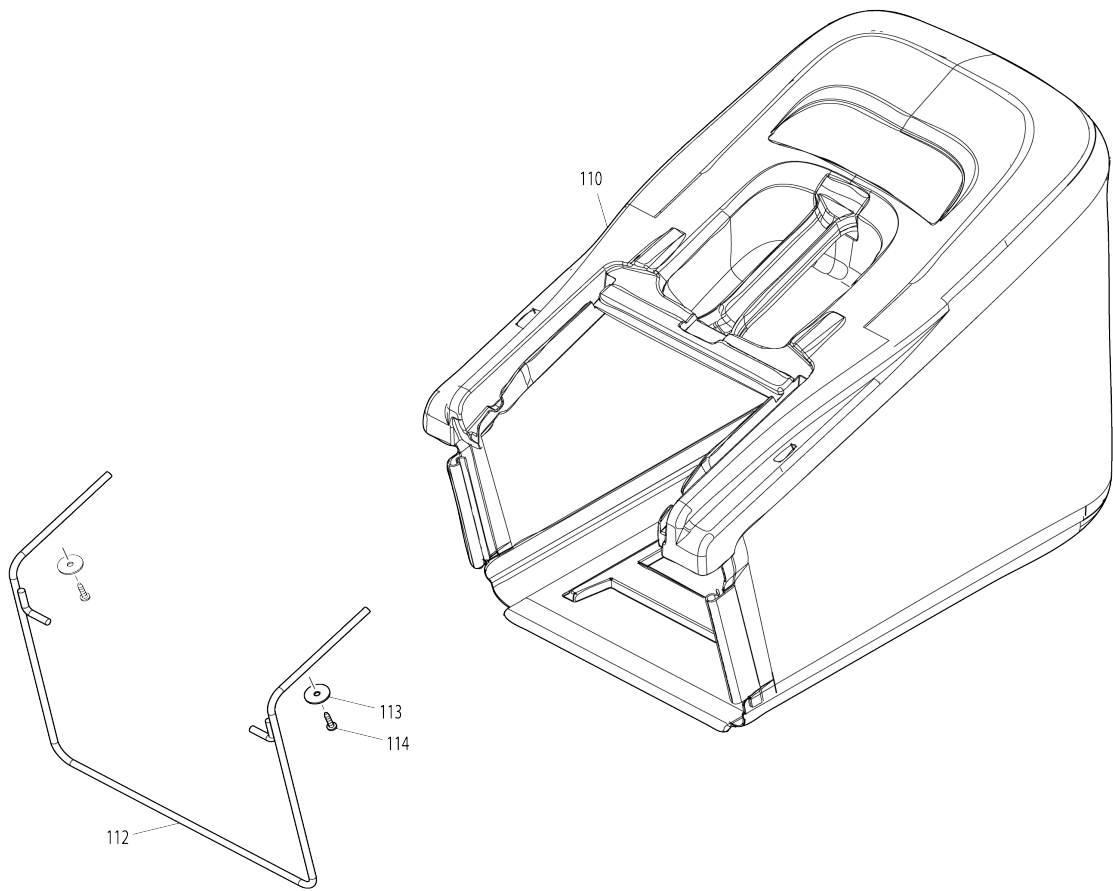
Model No.LM430D 430MM CORDLESS LAWN MOWER



Model No. LM430D 430MM CORDLESS LAWN MOWER



Model No.LM430D 430MM CORDLESS LAWN MOWER



Model No.LM430D 430MM CORDLESS LAWN MOWER

Item No.	Parts No.	Description	Interchangability	Q'ty	New/Old	Note1	Note2
001	273675-0	GRIP A		1			
002	266459-3	TAPPING SCREW 5X25		2			
003	453250-0	LOCK LEVER		1			
004	453251-8	LOCK LEVER SUPPORT		1			
005	233173-6	COMPRESSION SPRING 4		1			
006	141300-0	REAR FLAP COMPLETE		1	*		
C10	890375-3	CAUTION LABEL		1	*		
006-1	144076-8	REAR FLAP COMPLETE	<	1			
C10	890375-3	CAUTION LABEL		1			
007	961018-5	STOP RING E-5		1			
008	256871-5	ROD 6		1			
009	233597-6	TORSION SPRING 8		1			
010	961018-5	STOP RING E-5		1			
011	266326-2	TAPPING SCREW 4X18		2			
012	266326-2	TAPPING SCREW 4X18		4			
013	453235-6	COWLING		1			
014	896597-3	LM430D NAME PLATE		1			
015	141305-0	BATTERY COVER COMPLETE		1	*		
C10	890380-0	CAUTION LABEL		1	*		
015-1	143852-7	BATTERY COVER COMPLETE E	<	1			
C10	890380-0	CAUTION LABEL		1			
C20	259015-6	STOP RING CS-3		2			
C30	424824-4	RUBBER SHEET		1			
016	266326-2	TAPPING SCREW 4X18		2			
017	187254-7	TERMINAL HOUSING SET		1			
D10		INC. 19					
018	643849-1	TERMINAL		1			
019	187254-7	TERMINAL HOUSING SET		1			
D10		INC. 17					
020	890383-4	MAKITA LOGO LABEL		1			
021	453258-4	COWLING COVER		1	*		
021-1	LC453258-4	COWLING COVER	O	1			
022	266326-2	TAPPING SCREW 4X18		2			
023	266774-5	+ PAN HEAD SCREW M6X30 WITH WR		3			
024	629933-6	DC MOTOR		1			
025	620084-8	CONTROLLER		1			
026	266326-2	TAPPING SCREW 4X18		2			
027	687123-7	STRAIN RELIEF		1			
028	643890-4	KEY		1			
029	266326-2	TAPPING SCREW 4X18		2			
030	638946-6	LEAD UNIT		1			
031	688165-4	LINE FILTER		1			
032	688165-4	LINE FILTER		3			
033	688165-4	LINE FILTER		1			
034	453234-8	DECK		1	*		
034-1	454662-0	DECK	O	1	*		
034-2	456787-6	DECK	<	1	*		

034-3	456787-6	DECK	S	1			
035	453239-8	UNDER COVER		1			
036	266326-2	TAPPING SCREW 4X18		3			
037	224444-2	INNER FLANGE 40		1			
038	196060-9	BLADE 430 SET		1	*		
038-1	197762-0	BLADE 430 SET	<	1	*		
038-2	197761-2	BLADE 430 SET	O	1			
039	224445-0	OUTER FLANGE 40		1			
040	266731-3	HEX. BOLT M10X25		1			
041	921352-5	HEX. BOLT M6X30		1			
042	257670-8	SLEEVE 6		1			
043	453255-0	ADJUST PLATE		1			
044	266326-2	TAPPING SCREW 4X18		2			
045	931302-2	HEX. NUT M6		1			
046	266326-2	TAPPING SCREW 4X18		1			
047	267102-7	FLAT WASHER 4		1			
048	231297-2	COMPRESSION SPRING 9		1			
049	253808-3	FLAT WASHER 9		1			
050	453252-6	CHANGE LEVER		1	*		
050-1	459099-6	CHANGE LEVER	S	1			
051	453253-4	CHANGE LEVER COVER		1	*		
052	453241-1	REAR WHEEL CAP		1	*		
053	252145-2	COLLARED HEX NUT M8		1			
054	214067-4	PLANE BEARING 10		1	*		
055	453243-7	REAR WHEEL		1	*		
055-1	459101-5	REAR WHEEL	S	1			
056	210070-3	BALL BEARING 6200ZZ		1			
057	165669-8	REAR SHAFT		1			
058	210070-3	BALL BEARING 6200ZZ		1			
059	453243-7	REAR WHEEL		1	*		
059-1	459101-5	REAR WHEEL	S	1			
060	214067-4	PLANE BEARING 10		1	*		
061	252145-2	COLLARED HEX NUT M8		1			
062	453241-1	REAR WHEEL CAP		1	*		
063	266326-2	TAPPING SCREW 4X18		2			
064	346545-7	PLATE		2			
065	252103-8	HEX. LOCK NUT M5-8		1			
066	941101-4	FLAT WASHER 5		1			
067	346543-1	CONNECTING ROD		1			
068	231875-8	TENSION SPRING 16		1			
069	941101-4	FLAT WASHER 5		1			
070	252103-8	HEX. LOCK NUT M5-8		1			
071	453240-3	FRONT WHEEL CAP		1	*		
072	252145-2	COLLARED HEX NUT M8		1			
073	214067-4	PLANE BEARING 10		1	*		
074	453242-9	FRONT WHEEL		1	*		
074-1	459100-7	FRONT WHEEL	S	1			
075	210070-3	BALL BEARING 6200ZZ		1			
076	165668-0	FRONT SHAFT		1			
077	266326-2	TAPPING SCREW 4X18		4			
078	341462-6	PLATE		2	*		

078-1	456353-9	FRONT COVER	S	1		
079	210070-3	BALL BEARING 6200ZZ		1		
080	453242-9	FRONT WHEEL		1	*	
080-1	459100-7	FRONT WHEEL	S	1		
081	214067-4	PLANE BEARING 10		1	*	
082	252145-2	COLLARED HEX NUT M8		1		
083	453240-3	FRONT WHEEL CAP		1	*	
084	331975-5	SWITCH LEVER		1		
085	453246-1	SWITCH LEVER CASE		1		
086	453247-9	SWITCH LEVER CASE COVER		1		
087	266326-2	TAPPING SCREW 4X18		1		
088	266326-2	TAPPING SCREW 4X18		4		
089	141298-1	SWITCH BOX COVER COMPLETE		1		
C10	890374-5	INDICATION LABEL		1		
090	911138-5	P.H.SCREW M4X20 WITH WR		1		
091	453248-7	LEVER		1		
092	231876-6	TENSION SPRING 9		1		
093	453249-5	SWITCH BUTTON		1		
094	233068-3	COMPRESSION SPRING 6		1		
095	650681-6	SWITCH D3V-16-3A5		1		
096	453244-5	SWITCH BOX		1		
097	687123-7	STRAIN RELIEF		1		
098	266326-2	TAPPING SCREW 4X18		2		
099	141299-9	UPPER PIPE COMPLETE		1	*	
099-1	143510-5	UPPER PIPE COMPLETE	S	1		
100	664780-8	POWER SUPPLY CORD #18-2-1.2		1		
101	266730-5	CUP H. SQUARE NECK BOLT M6X 50		1	*	
101-1	265A14-4	CUP H. SQUARE NECK BOLT M6X 50	<	1		
102	264070-5	THUMB NUT M6		1		
103	264070-5	THUMB NUT M6		1		
104	266730-5	CUP H. SQUARE NECK BOLT M6X 50		1	*	
104-1	265A14-4	CUP H. SQUARE NECK BOLT M6X 50	<	1		
105	331973-9	LOWER PIPE		1	*	
105-1	326635-2	LOWER PIPE	S	1		
106	453385-7	HOLDER 9-19		2		
107	266729-0	THUMB SCREW M8X35		1		
108	266729-0	THUMB SCREW M8X35		1		
110	141546-8	REAR BAG COMPLETE		1	*	
110-1	142245-5	REAR BAG COMPLETE	<	1	*	
110-2	123524-0	REAR BAG ASS'Y M	<	1	*	
110-3	123794-1	REAR BAG ASSEMBLY M	<	1	*	
110-4	127276-5	REAR BAG ASSEMBLY M	S	1		
111	266326-2	TAPPING SCREW 4X18		2		
112	326118-2	REAR BAG ROD		1	*	
112-1	327179-5	REAR BAG ROD	S	1		
113	267438-4	FLAT WASHER 5		2		
114	266326-2	TAPPING SCREW 4X18		2		
115	266326-2	TAPPING SCREW 4X18	S	1		
A01	782210-8	SOCKET WRENCH 17		1		

F01-2	195410-5	BATTERY BL3622A SET	0	1			
-------	----------	---------------------	---	---	--	--	--

Please state Parts No. when your order.

Print Date 26.10.2023