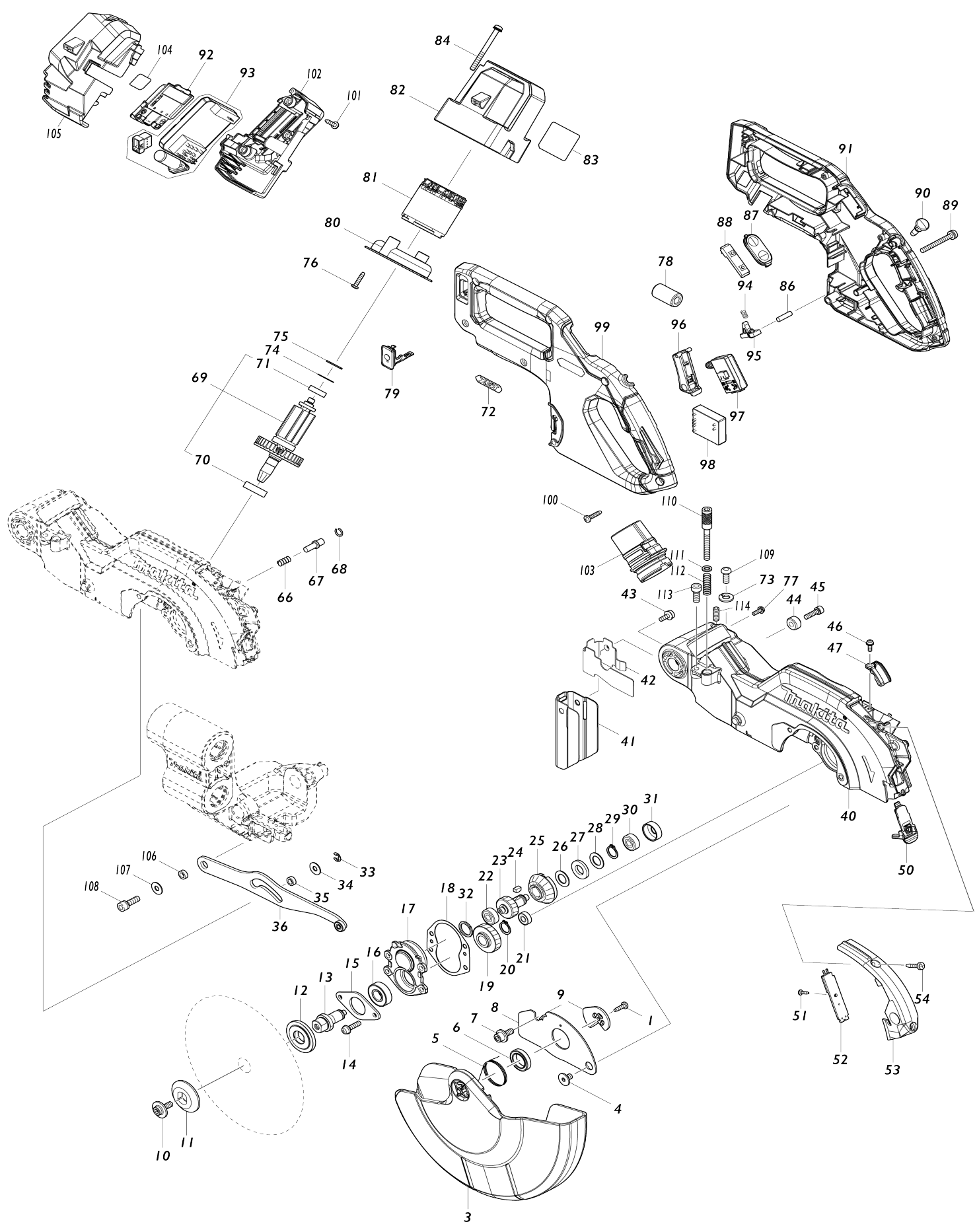
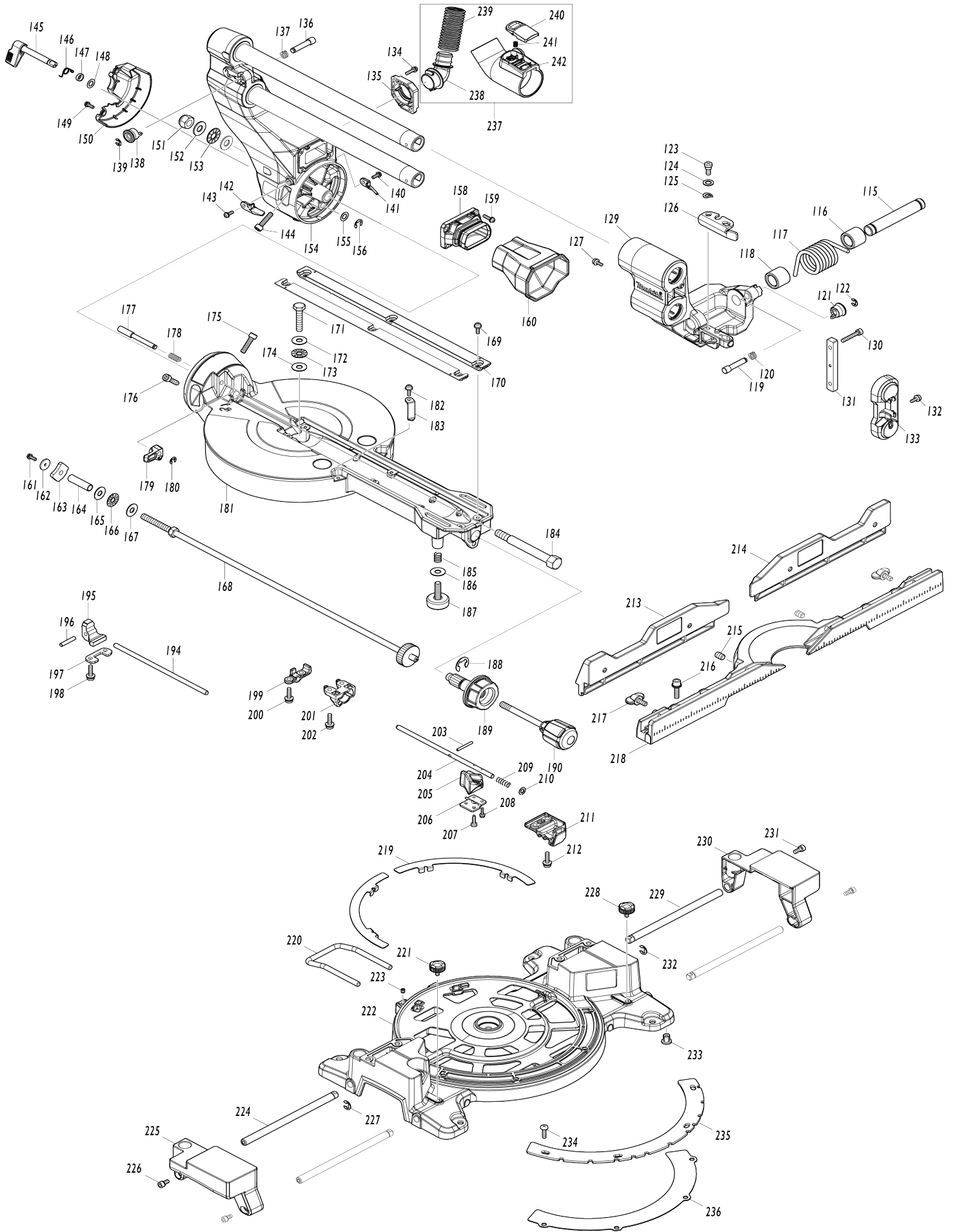


# Model No.LS002G 216MM DC SLIDE CPD. MITER SAW



# Model No. LS002G 216MM DC SLIDE CPD. MITER SAW



Model No.LS002G 216MM DC SLIDE CPD. MITER SAW

Item No.	Parts No.	Description	Interchangeability	Q'ty	New/Old	Note1	Note2
001	266192-7	TAPPING SCREW 4X14		1			
003	412933-1	SAFETY COVER		1	*		
003-1	412933-1	SAFETY COVER	O	1			
004	265985-9	HEX.SOCKET HEAD BOLT M6		1			
005	232311-7	TORSION SPRING 30		1			
006	210150-5	BALL BEARING 6803DDW		1			
007	266732-1	HEX. SOCKET HEAD BOLT M6X16		1			
008	347731-3	CENTER COVER		1			
009	347059-9	CENTER PLATE		1			
010	266733-9	HEX. S.F.H. BOLT M6X16		1			
011	224275-9	OUTER FLANGE 40		1			
012	224614-3	INNER FLANGE 40		1			
013	327697-3	SPINDLE		1			
014	911233-1	PAN HEAD SCREW M5X20		4			
015	285043-5	BEARING RETAINER 52		1			
016	211131-2	BALL BEARING 6001DDW		1			
017	312A44-7	BEARING BOX		1			
018	422652-1	GASKET		1			
019	227838-0	HELICAL GEAR 43		1			
020	961052-5	RETAINING RING (EXT) S-12		1			
021	210006-2	BALL BEARING 696ZZ		1			
022	211021-9	BALL BEARING 607LLB		1			
023	227837-2	HELICAL GEAR 30		1			
024	254011-9	WOODRUFF KEY 4		1			
025	227836-4	SPIRAL BEVEL GEAR 33		1			
026	253744-3	FLAT WASHER 12		1			
027	261104-5	RUBBER WASHER 12		1			
028	253744-3	FLAT WASHER 12		1			
029	961052-5	RETAINING RING (EXT) S-12		1			
030	211021-9	BALL BEARING 607LLB		1			
031	424605-6	RUBBER RING 19		1			
032	261153-2	URETHAN WASHER 15		1			
033	961018-5	STOP RING E-5		1			
034	253804-1	FLAT WASHER 6		1			
035	257163-5	RING 6		1			
036	140W98-4	LINK PLATE COMPLETE		1			
040	140W84-5	BLADE CASE COMPLETE		1			
C10	263002-9	RUBBER PIN 4		3			
C20	422724-2	CUSHION		1			
C30	322316-6	LINK SHAFT		1			
041	422651-3	GUARD		1			
042	345438-5	GUARD PLATE		1			
043	911119-9	PAN HEAD SCREW M4X12		1			
044	257785-1	SLEEVE 6		1			
045	922226-3	HEX. SOCKET HEAD BOLT M5X18		1			
046	911118-1	PAN HEAD SCREW M4X12		1			
047	458075-7	LEAD COVER		1			

050	140X03-7	LENS COMPLETE		1		
051	266421-8	TAPPING SCREW 3X10		1		
052	620E07-6	LED CIRCUIT		1		
053	141A59-5	LED COVER COMPLETE		1		
C10	8024V4-4	CAUTION LABEL		1		
C20	931102-0	HEX. NUT M4		1		
054	266034-5	TAPPING SCREW CT 4X16		2		
066	231240-1	COMPRESSION SPRING 7		1		
067	256633-1	PIN 6		1		
068	231928-3	RING SPRING 8		1		
069	519649-0	ROTOR ASS'Y		1		
D10		INC. 70,71				
070	211131-2	BALL BEARING 6001DDW		1		
071	210017-7	BALL BEARING 607DDW		1		
072	8024V5-2	XGT LOGO LABEL		1		
073	942151-2	SPRING WASHER 6		1		
074	253842-3	FLAT WASHER 14		1		
075	261153-2	URETHAN WASHER 15		1		
076	265995-6	TAPPING SCREW 4X18		2		
077	911118-1	PAN HEAD SCREW M4X12		1		
078	688162-0	LINE FILTER		1		
079	140F99-0	CAP COMPLETE		1		
C10	213218-6	O RING 16		1	*	
C11	213A05-9	O-RING16	O	1		
C20	818H07-8	CAP LABEL		1		
080	459933-0	BAFFLE PLATE		1		
081	629A26-5	STATOR		1		
082	412926-8	MOTOR HOUSING		1		
083	858A05-8	LS002G NAME PLATE		1		
084	911278-9	PAN HEAD SCREW M5X55		4		
086	256123-4	PIN 5		1		
087	140X02-9	SWITCH PLATE COMPLETE		1		
C10	8024V3-6	SWITCH LABEL		1		
088	631973-2	SWITCH UNIT		1		
089	911268-2	PAN HEAD SCREW M5X45		1		
090	417113-4	SWITCH BUTTON		1		
091	183R96-5	HANDLE SET		1		
D10		INC. 99				
092	632P64-8	TERMINAL UNIT		1		
093	620E06-8	CONTROLLER		1		
094	231026-3	COMPRESSION SPRING 4		1		
095	416533-9	LOCK OFF LEVER		1		
096	459966-5	SWITCH LEVER		1		
097	651083-9	SWITCH C3XA-1PSPM		1		
098	620E08-4	POWER SUPPLY CIRCUIT		1		
099	183R96-5	HANDLE SET		1		
D10		INC. 91				
100	265995-6	TAPPING SCREW 4X18		6		
101	265995-6	TAPPING SCREW 4X18		3		
102	183R92-3	BATTERY HOUSING SET		1		
C10	263005-3	RUBBER PIN 6		2		
D10		INC. 105				

103	459250-8	DUST NOZZLE		1		
104	858A11-3	LS002G SERIAL NO. LABEL		1		
105	183R92-3	BATTERY HOUSING SET		1		
C10	263005-3	RUBBER PIN 6		2		
D10		INC. 102				
106	257163-5	RING 6		1		
107	253804-1	FLAT WASHER 6		1		
108	922331-6	HEX. SOCKET HEAD BOLT M6X20		1		
109	265484-1	H.S.BUTTON HEAD SCREW M6X17		1		
110	265B58-0	HEX SOCKET HEAD BOLT M6X45		1		
111	941152-7	FLAT WASHER 6		1		
112	233343-7	COMPRESSION SPRING 7		1		
113	266757-5	HEX. SOCKET HEAD BOLT M6X16		1		
114	266321-2	H.S.SET SCREW(FLAT POINT)M6X16		1		
115	327710-7	ROD 16		1		
116	416905-8	SLEEVE 17-23		1		
117	231685-3	TORSION SPRING 29		1	*	
117-1	232772-1	TORSION SPRING 29	<	1		
118	416905-8	SLEEVE 17-23		1		
119	327702-6	LOCK PIN 7-9		1		
120	234316-3	COMPRESSION SPRING 7		1		
121	271428-1	KNOB 20		1		
122	961018-5	STOP RING E-5		1		
123	251267-5	+ PAN HEAD SCREW M6		1		
124	253215-0	FLAT WASHER 8		1		
125	253948-7	WAVE WASHER 8		1		
126	344643-1	STOPPER ARM		1		
127	911119-9	PAN HEAD SCREW M4X12		2		
129	140W83-7	FRONT ARM COMPLETE		1	*	
C10	263005-3	RUBBER PIN 6		2	*	
129-1	1410J3-6	FRONT ARM COMPLETE	O	1		
C10	263005-3	RUBBER PIN 6		2		
130	922251-4	HEX. SOCKET HEAD BOLT M5X30		2		
131	327705-0	SQUARE ROD		1		
132	911118-1	PAN HEAD SCREW M4X12		1		
133	412938-1	RAIL HOLDER		1		
134	911128-8	P.H.SCREW M4X16 WITH WR		2		
135	412947-0	INLET		1		
136	327702-6	LOCK PIN 7-9		1		
137	234316-3	COMPRESSION SPRING 7		1		
138	271428-1	KNOB 20		1		
139	961018-5	STOP RING E-5		1		
140	911118-1	PAN HEAD SCREW M4X12		1		
141	412943-8	INDICATION PLATE R		1		
142	412942-0	INDICATION PLATE L		1		
143	911118-1	PAN HEAD SCREW M4X12		1		
144	251582-7	HEX SOCKET HEAD BOLT M6X25		1		
145	271466-3	LEVER 30		1		
146	232651-3	TORSION SPRING 8		1		
147	257848-3	RING 8		1		

148	253215-0	FLAT WASHER 8		1		
149	911118-1	PAN HEAD SCREW M4X12		2		
150	412934-9	ARM COVER		1	*	
150-1	141G28-2	ARM COVER COMPLETE	S	1		
C10	8024V1-0	INDICATION LABEL	S	1		
151	252130-5	HEX. LOCK NUT M10-17		1		
152	253024-7	FLAT WASHER 10		2		
153	216413-7	THRUST NEEDLE CAGE 1024		1		
154	140W82-9	ARM COMPLETE		1	*	
C10	8024V1-0	INDICATION LABEL		1	*	
154-1	141F27-8	ARM COMPLETE	S	1		
155	253215-0	FLAT WASHER 8		1		
156	961013-5	STOP RING E-7		1		
158	412944-6	DUST GUIDE HOLDER		1		
159	911128-8	P.H.SCREW M4X16 WITH WR		4		
160	422648-2	DUST GUIDE		1		
161	911118-1	PAN HEAD SCREW M4X12		1		
162	253400-5	FLAT WASHER 4		1		
163	347759-1	LOCK PLATE		1		
164	257849-1	SLEEVE 8		1		
165	253731-2	FLAT WASHER 8		1		
166	216415-3	THRUST NEEDLE CAGE 821		1		
167	253731-2	FLAT WASHER 8		1		
168	162942-7	LOCK SHAFT COMPLETE		1		
169	911119-9	PAN HEAD SCREW M4X12		6		
170	412940-4	KERF BOARD		2	*	
170-1	413C45-1	KERF BOARD	O	2		
171	265442-7	HEX. BOLT M8X40		1		
172	253731-2	FLAT WASHER 8		1		
173	216415-3	THRUST NEEDLE CAGE 821		1		
174	253731-2	FLAT WASHER 8		1		
175	251582-7	HEX SOCKET HEAD BOLT M6X25		1		
176	251582-7	HEX SOCKET HEAD BOLT M6X25		1		
177	327704-2	STOPPER ROD		1		
178	234122-6	COMPRESSION SPRING 6		1		
179	271465-5	LEVER 24		1		
180	961018-5	STOP RING E-5		1		
181	140W81-1	TURN BASE COMPLETE		1		
C10	8024U7-1	BEVEL SCALE LABEL		1		
C20	8024U8-9	INDICATION LABEL		1		
C30	812X85-6	CAUTION LABEL		1		
C40	813L22-1	CAUTION LABEL		2		
182	911119-9	PAN HEAD SCREW M4X12		1		
183	459928-3	INDICATION PLATE		1		
184	327698-1	CENTER SHAFT		1		
185	231418-6	COMPRESSION SPRING 9		1		
186	253731-2	FLAT WASHER 8		1		
187	266432-3	ADJUST BOLT M8X27		1		
188	961062-2	STOP RING E-12		1		
189	271464-7	GRIP 46		1		
190	271463-9	GRIP 38		1		
194	327700-0	LOCK ROD 6		1		

195	313326-4	TURN STOPPER		1		
196	256186-0	PIN 5		1		
197	347601-6	STOPPER HOLDER		1		
198	911233-1	PAN HEAD SCREW M5X20		2		
199	312A46-3	PIN HOLDER		1		
200	911233-1	PAN HEAD SCREW M5X20		2		
201	412941-2	LEAD BLOCK		1		
202	911233-1	PAN HEAD SCREW M5X20		2		
203	256267-0	PIN 3		1		
204	327701-8	LOCK PIN 6		1		
205	412939-9	LEVER 38		1		
206	347760-6	LEVER PLATE		1		
207	266192-7	TAPPING SCREW 4X14		1		
208	911013-5	PAN HEAD SCREW M3X10		2		
209	233201-7	COMPRESSION SPRING 6		1		
210	941152-7	FLAT WASHER 6		1		
211	312A45-5	GEAR COVER		1		
212	911233-1	PAN HEAD SCREW M5X20		2		
213	140W85-3	UPPER FENCE L COMPLETE		1		
C10	810503-4	CAUTION LABEL		1		
214	140W86-1	UPPER FENCE R COMPLETE		1		
C10	810503-4	CAUTION LABEL		1		
215	266089-0	H.S.SET SCREW(FLAT POINT)M8X 12		2	*	
215-1	265C19-6	H.S.SET SCREW(FLAT POINT)M8X 12	<	2		
216	922344-7	H.S.H.BOLT M6X25 WITH WG		4		
217	265701-9	THUMB SCREW M6X14		2		
218	312A38-2	GUIDE FENCE		1		
219	347758-3	SLIDE PLATE		2		
220	327706-8	BASE SUPPORTER		1		
221	265785-7	THUMB SCREW M5X10		1		
222	140W80-3	BASE COMPLETE		1		
C10	810486-8	CAUTION LABEL		1		
223	266264-8	H.S.SET SCREW(FLAT POINT)M5X 6		1		
224	327703-4	ROD 10		2		
225	312A42-1	SUB BASE L		1		
226	922211-6	H.S.H.BOLT M5X12 WITH W		2		
227	961013-5	STOP RING E-7		1		
228	265785-7	THUMB SCREW M5X10		1		
229	327703-4	ROD 10		2		
230	312A43-9	SUB BASE R		1		
231	922211-6	H.S.H.BOLT M5X12 WITH W		2		
232	961013-5	STOP RING E-7		1		
233	286044-6	CAP 13		4		
234	251546-1	+ PAN HEAD SCREW M5		4		
235	347756-7	MITER SCALE PLATE		1		
236	347757-5	MITER LOCK PLATE		1		
237	127692-1	DUST NOZZLE ASSEMBLY		1		
D10		INC. 238-242				
238	412945-4	HOSE CONNECTOR		1		

239	245062-3	HOSE 20-0.4		1		
240	458939-5	BUTTON A		1		
241	232485-4	COMPRESSION SPRING 5		1		
242	412946-2	HOSE JOINT		1		
A01	127693-9	WISE ASSEMBLY		1		
C10	312A56-0	WISE ARM		1		
C20	265785-7	THUMB SCREW M5X10		1		
C30	327707-6	WISE ROD		1		
C40	265B61-1	THUMB SCREW M10X70		1		
C50	253804-1	FLAT WASHER 6		1		
C60	343651-9	WISE PLATE		1		
C70	251370-2	+ PAN HEAD SCREW M5		1		
A02	127512-9	DUST BAG ASSEMBLY		1		
C10	412411-1	FASTENER		1		
A03	762001-3	TRIANGULAR RULE		1		
A04	198900-7	WIRELESS UNIT SET		1	*	
A04-1	198900-7	WIRELESS UNIT SET	<	1	*	
A04-2	198900-7	WIRELESS UNIT SET	<	1		
A05	783022-2	HEX. WRENCH 5		1		
A06	E-06971	EFFICUT FOR WOOD CUTTING/ E N		1		
F03	198687-1	STAND SET		1		
F04	198688-9	STAND SET		1		

Please state Parts No. when your order.

Print Date 03/22/2024