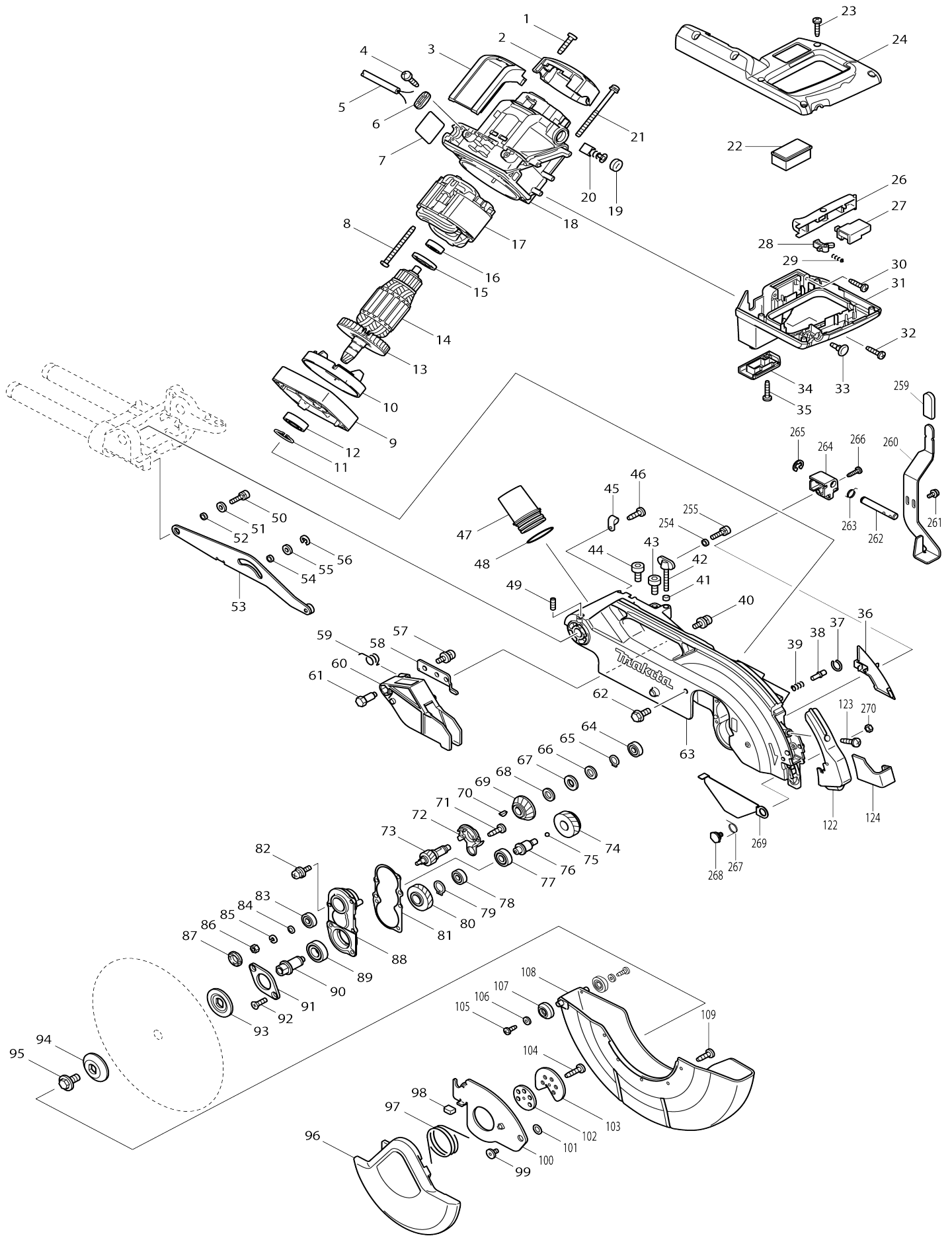
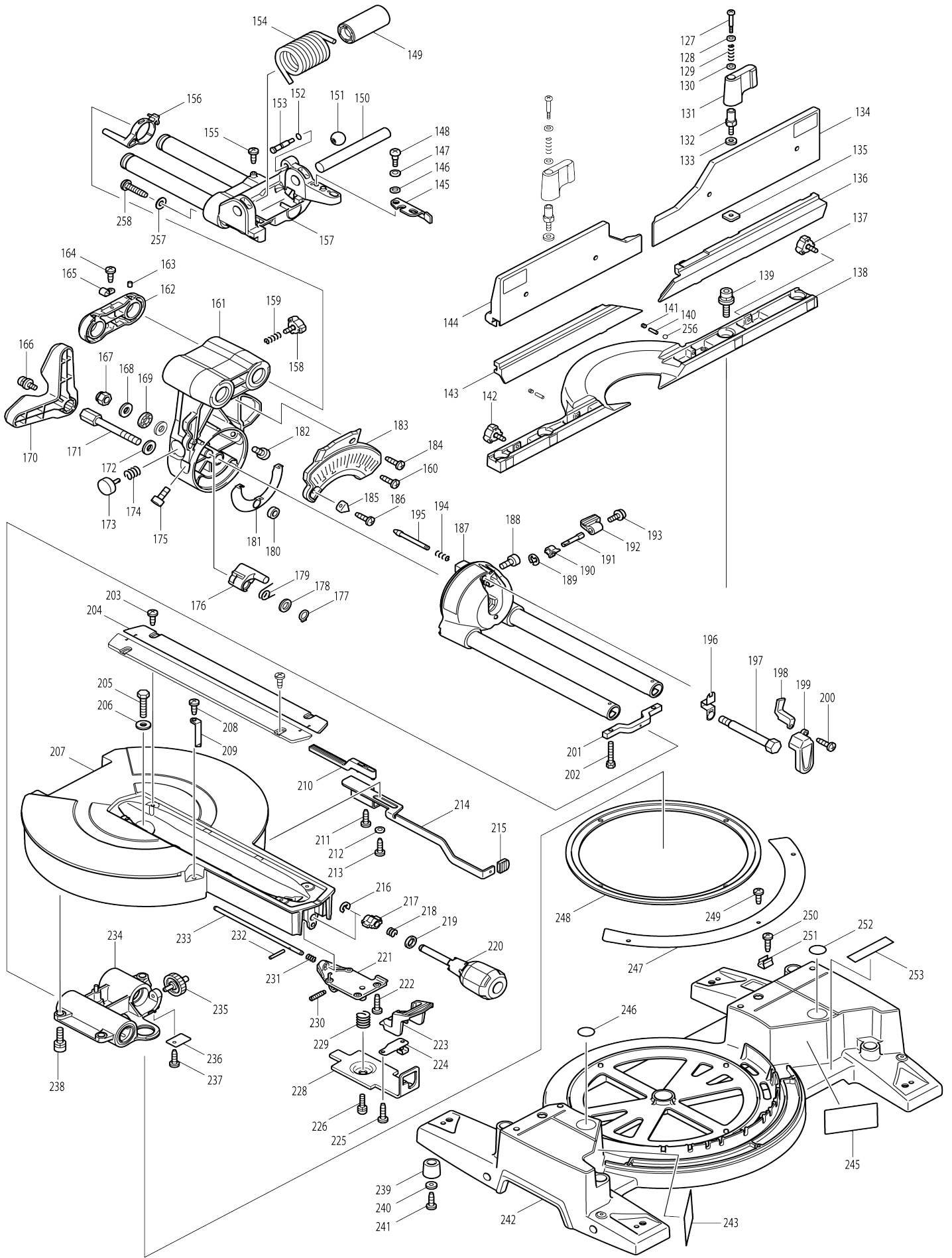


Model No.LS1016 SLIDE COMPOUND SAW 255MM/260MM



Model No.LS1016 SLIDE COMPOUND SAW 255MM/260MM



Model No.LS1016 SLIDE COMPOUND SAW 255MM/260MM

Item No.	Parts No.	Description	Interchangeability	Q'ty	New/Old	Note1	Note2
001	265995-6	TAPPING SCREW 4X18		2			
002	450999-3	REAR COVER		1			
003	631866-3	CONTROLLER		1			
004	265995-6	TAPPING SCREW 4X18		2			
005	665865-3	POWER SUPPLY CORD 1.0-2-2.5		1			
006	687052-4	STRAIN RELIEF		1			
007	866468-8	LS1016 NAME PLATE		1			
008	266095-5	TAPPING SCREW 5X55		2			
009	318399-2	MOTOR BRACKET		1			
010	451001-5	BAFFLE PLATE		1			
011	961057-5	RETAINING RING S-17		1			
012	211275-8	BALL BEARING 6003DDW		1			
013	240001-8	FAN 80		1			
014	517824-2	ARMATURE ASS'Y 240V		1			
D10		INC. 13,15,16					
015	681642-5	INSULATION WASHER		1			
016	210067-2	BALL BEARING 6000ZZ		1			
017	596349-9	FIELD ASS'Y 240V		1			
C10	654020-2	RING TERMINAL		2			
C20	654502-4	CONNECTOR P-2		2			
018	158958-8	MOTOR HOUSING COMPLETE		1			
C10	643660-1	BRUSH HOLDER 6.5-13.5		2			
019	643650-4	BRUSH HOLDER CAP 6.5-13.5		2	*		
019-1	643650-4	BRUSH HOLDER CAP 6.5-13.5	O	2			
020	181044-0	CARBON BRUSH CB-153		1	*		
020-1	194985-1	CARBON BRUSH SET CB-153	O	1			
021	911948-0	PAN HEAD SCREW M6X80 WITH WR		4			
022	451015-4	COVER		1			
023	265995-6	TAPPING SCREW 4X18		6			
024	450998-5	HANDLE COVER		1			
026	451003-1	SWITCH LEVER		1			
027	650618-3	SWITCH TG72B-1		1			
028	416356-5	LOCK-OFF LEVER		1			
029	231026-3	COMPRESSION SPRING 4		1			
030	265995-6	TAPPING SCREW 4X18		2			
031	140049-9	HANDLE COMPLETE		1			
C10	810486-8	CAUTION LABEL		1			
032	265995-6	TAPPING SCREW 4X18		2			
033	451037-4	SWITCH BUTTON		1			
034	451017-0	COVER HOLDER		1	*		
034-1	457662-9	COVER HOLDER	O	1			
035	265995-6	TAPPING SCREW 4X18		1			
036	451004-9	LEAD COVER		1			
037	231928-3	RING SPRING 8		1			
038	256633-1	PIN 6		1			
039	231240-1	COMPRESSION SPRING 7		1			
040	911113-1	PAN HEAD SCREW M4X10 WITH		2			

		WR				
041	262001-8	URETHANE RING 5		1		
042	265717-4	SCREW M6X43		1		
043	266488-6	HEX SOCKET HEAD BOLT M8X20		1		
044-1	922332-4	HEX. SOCKET HEAD BOLT M6X20		1		
045	687042-7	STRAIN RELIEF		1		
046	266026-4	TAPPING SCREW BIND CT 4X12		1		
047	419277-0	DUST NOZZLE		1		
048	213460-9	O RING 35		1		
049	266321-2	H.S.SET SCREW(FLAT POINT)M6X16		1		
050	922331-6	HEX. SOCKET HEAD BOLT M6X20		1		
051	253804-1	FLAT WASHER 6		1		
052	257163-5	RING 6		1		
053	158960-1	LINK PLATE COMPLETE		1		
054	257163-5	RING 6		1		
055	253804-1	FLAT WASHER 6		1		
056	961018-5	STOP RING E-5		1		
057	911113-1	PAN HEAD SCREW M4X10 WITH WR		1		
058	346050-4	GUARD HOLDER		1		
059	231675-6	TORSION SPRING 11		1		
060	451006-5	GUARD		1	*	
060-1	453634-2	GUARD	<	1		
061	325645-6	GUARD SHAFT		1		
062	265324-3	HEX. FLANGE HEAD BOLT M8X12		1	*	
062-1	266283-4	HEX. SOCKET HEX. BOLT M8X20	<	1		
063	140212-4	BLADE CASE COMPLETE		1	*	
C10	263005-3	RUBBER PIN 6		3	*	
063-1	140212-4	BLADE CASE COMPLETE	O	1	*	
C10	263005-3	RUBBER PIN 6		3	*	
063-2	140055-4	BLADE CASE COMPLETE	S	1		
C10	263005-3	RUBBER PIN 6		3		
064	210005-4	BALL BEARING 608DDW		1		
065	961052-5	RETAINING RING (EXT) S-12		1		
066	253744-3	FLAT WASHER 12		1		
067	261104-5	RUBBER WASHER 12		1		
068	253744-3	FLAT WASHER 12		1		
069	227550-2	SPIRAL BEVEL GEAR 32		1		
070	254001-2	WOODRUFF KEY 4		1		
071	266026-4	TAPPING SCREW BIND CT 4X12		2		
072	451002-3	GREASE HOLDER		1		
073	227701-7	HELICAL GEAR 14		1		
074	227702-5	HELICAL GEAR 27		1		
075	216024-8	STEEL BALL 4		1		
076	325643-0	GEAR SHAFT		1		
077	210067-2	BALL BEARING 600ZZ		1		
078	210005-4	BALL BEARING 608DDW		1		
079	961055-9	RETAINING RING S-15		1		
080	227703-3	HELICAL GEAR 28		1		
081	442147-8	GASKET		1		
082	911223-4	PAN HEAD SCREW M5X16		3		

083	210005-4	BALL BEARING 608DDW		1		
084	267010-2	FLAT WASHER 5		1		
085	942101-7	SPRING WASHER 5		1	*	
085-1	253427-5	SPRING WASHER 5	O	1		
086	931202-6	HEX. NUT M5		1		
087	285847-5	BEARING RETAINER 14-23		1		
088	158957-0	BEARING BOX COMPLETE		1		
C10	263002-9	RUBBER PIN 4		1		
089	211236-8	BALL BEARING 6002DDW		1		
090	325644-8	SPINDLE		1		
091	285732-2	BEARING RETAINER 51		1		
092	265034-2	+ COUNTERSUNK HEAD SCREW M5X16		2	*	
092-1	265D49-3	+COUNTERSUNK HEAD SCREW M 5X16	O	2		
093	224431-1	INNER FLANGE 53		1	*	
093-1	224431-1	INNER FLANGE 53	<	1		
094	224432-9	OUTER FLANGE 53		1		
095	265405-3	HEX. FLANGE HEAD BOLT M10X2 0		1	*	
095-1	266755-9	HEX.SOCKET HEAD BOLT M10X2 0	<	1		
096	158959-6	SAFETY COVER A COMPLETE		1		
097	231634-0	TORSION SPRING 45		1		
098	424190-9	CUSHION		1		
099	265985-9	HEX.SOCKET HEAD BOLT M6		1		
100	346048-1	CENTER COVER		1		
101	253932-2	WAVE WASHER 10		1		
102	344539-6	CENTER WASHER		1		
103	346047-3	CENTER PLATE		1		
104	266034-5	TAPPING SCREW CT 4X16		1		
105	266020-6	TAPPING SCREW 4X12		2		
106	941051-3	FLAT WASHER 4		2		
107	424193-3	ROLLER		2		
108-1	451754-6	SAFETY COVER B		1		
109	266026-4	TAPPING SCREW BIND CT 4X12		3		
122	451016-2	BLADE CASE COVER		1		
123	266034-5	TAPPING SCREW CT 4X16		1		
124	451038-2	PROTECTOR		1		
127	265026-1	+ PAN HEAD SCREW M4		2		
128	941102-2	FLAT WASHER 5		2		
129	233267-7	COMPRESSION SPRING 7		2		
130	941102-2	FLAT WASHER 5		2		
131	272261-4	LEVER 45		2		
132	325651-1	JOINT		2		
133	253804-1	FLAT WASHER 6		2		
134	140070-8	UPPER FENCE R COMPLETE		1	*	
C10	810503-4	CAUTION LABEL		1	*	
134-1	142813-4	UPPER FENCE R COMPLETE	<	1		
C10	810503-4	CAUTION LABEL		1		
135	346058-8	GUIDE PLATE		2		
136-1	318596-0	LOWER FENCE R		1	*	
136-2	318596-0	LOWER FENCE R	<	1		

137	265783-1	THUMB SCREW M6X18		1		
138-1	318411-8	GUIDE FENCE		1	*	
138-2	318411-8	GUIDE FENCE	<	1		
139	922443-5	H.S.H.BOLT M8X25 WITH WR		4		
140	256226-4	PIN 4		2		
141	266264-8	H.S.SET SCREW(FLAT POINT)M5X6		2		
142	265783-1	THUMB SCREW M6X18		1		
143-1	318595-2	LOWER FENCE L		1	*	
143-2	318595-2	LOWER FENCE L	<	1		
144	140069-3	UPPER FENCE L COMPLETE		1	*	
C10	810503-4	CAUTION LABEL		1	*	
144-1	142812-6	UPPER FENCE L COMPLETE	<	1		
C10	810503-4	CAUTION LABEL		1		
145	346049-9	STOPPER ARM		1		
146	253948-7	WAVE WASHER 8		1		
147	253835-0	FLAT WASHER 8		1		
148	251267-5	+ PAN HEAD SCREW M6		1		
149	451036-6	SLEEVE 17		1		
150	323740-6	ROD 16		1		
151	271601-3	KNOB 20		1		
152	213021-5	O RING 5		1		
153	324183-5	STOPPER PIN		1		
154	233537-4	TORSION SPRING 35		1		
155	266026-4	TAPPING SCREW BIND CT 4X12		1		
156	158962-7	STOPPER LEVER COMPETE		1		
C10	263002-9	RUBBER PIN 4		1		
157	158961-9	FRONT ARM COMPLETE		1	*	
157-1	158961-9	FRONT ARM COMPLETE	O	1		
158	265783-1	THUMB SCREW M6X18		1		
159	231240-1	COMPRESSION SPRING 7		1		
160	266034-5	TAPPING SCREW CT 4X16		1		
161	158963-5	ARM COMPLETE		1		
C10	262077-5	FELT RING 25		4		
C20	263005-3	RUBBER PIN 6		1		
C30	344638-4	CAP 35		3		
162	318403-7	HOLDER		1	*	
162-1	318403-7	HOLDER	O	1		
163	266208-8	H.S.SET SCREW(CUP POINT)M6X8		2		
164	266026-4	TAPPING SCREW BIND CT 4X12		1		
165	687042-7	STRAIN RELIEF		1		
166	911113-1	PAN HEAD SCREW M4X10 WITH WR		1		
167	252130-5	HEX. LOCK NUT M10-17		1		
168	253024-7	FLAT WASHER 10		2		
169	216413-7	THRUST NEEDLE CAGE 1024		1		
170	451019-6	LEVER 105		1		
171	265589-7	HEX BOLT M10		1		
172	253024-7	FLAT WASHER 10		1		
173	415208-7	RELEASE BUTTON		1		
174	233031-6	COMPRESSION SPRING 12		1		
175	266488-6	HEX SOCKET HEAD BOLT M8X20		1		

176	318405-3	STOPPER		1		
177	961052-5	RETAINING RING (EXT) S-12		1		
178	253744-3	FLAT WASHER 12		1		
179	231646-3	TORSION SPRING 14		1		
180-1	262158-5	RUBBER RING 9		1		
181	346071-6	PLATE		1		
182	266488-6	HEX SOCKET HEAD BOLT M8X20		1		
183	451008-1	ARM COVER		1		
184	266034-5	TAPPING SCREW CT 4X16		1		
185	343678-9	POINTER		1		
186	266034-5	TAPPING SCREW CT 4X16		1		
187	158964-3	ARM HOLDER COMPLETE		1		
C10	263005-3	RUBBER PIN 6		1		
C20	816927-2	BEVEL SCALE LABEL		1		
C30	816937-9	INDICATION LABEL		1		
188	266488-6	HEX SOCKET HEAD BOLT M8X20		1		
189	961011-9	STOP RING E-4		1		
190	451044-7	CAM		1		
191	325656-1	ROD 6		1		
192	272262-2	LEVER 22		1		
193	911113-1	PAN HEAD SCREW M4X10 WITH WR		1		
194	234122-6	COMPRESSION SPRING 6		1		
195	325655-3	LOCK PIN 8		1	*	
195-1	325865-2	LOCK PIN 8	<	1		
196	232250-1	LEAF SPRING		1		
197	325646-4	CENTER SHAFT		1		
198	451039-0	POSITION PLATE		1		
199	451070-6	ARM HOLDER COVER		1		
200	266034-5	TAPPING SCREW CT 4X16		1		
201	158967-7	SQUARE ROD COMPLETE		1		
C10	263005-3	RUBBER PIN 6		1		
202	925251-3	HEX.BOLT M5X30		2		
203	266026-4	TAPPING SCREW BIND CT 4X12		4		
204	451013-8	KERF BOARD		2		
205	265585-5	HEX BOLT M8X45		1		
206	253762-1	FLAT WASHER 8		1		
207	140142-9	TURN BASE COMPLETE		1		
C10	816930-3	INDICATION LABEL		1		
208	266026-4	TAPPING SCREW BIND CT 4X12		1		
209	451009-9	INDICATION PLATE		1		
210	451011-2	RACK BLOCK		1		
211	266385-6	TAPPING SCREW 4X14		1		
212	941051-3	FLAT WASHER 4		1		
213	266026-4	TAPPING SCREW BIND CT 4X12		1		
214	346052-0	SLIDE LOCK PLATE		1		
215	286275-7	CAP		1		
216	961013-5	STOP RING E-7		1		
217	313165-2	CAM		1		
218	231131-6	COMPRESSION SPRING 11		1		
219	267047-9	FLAT WASHER 10		1		
220-1	273666-1	GRIP 50		1		

221	318410-0	PIN HOLDER		1		
222	266034-5	TAPPING SCREW CT 4X16		4		
223	451010-4	LOCK LEVER		1		
224	345272-3	LOCK LEVER PLATE		1		
225	266034-5	TAPPING SCREW CT 4X16		2		
226	266505-2	H.S. BINDING HEAD SCREW M6X 14		1		
228	346051-2	MITER LOCK PLATE		1		
229	234104-8	COMPRESSION SPRING 13		1		
230	266306-8	SHOULDER SCREW M5		1		
231	231325-3	COMPRESSION SPRING 6		1		
232	256158-5	PIN 3		1		
233	325649-8	LOCK PIN 6		1		
234	158968-5	LINEAR BEARING BOX COMPLET E		1		
235	451018-8	SPUR GEAR 43		1		
236	232249-6	LEAF SPRING		1		
237	266026-4	TAPPING SCREW BIND CT 4X12		1		
238	922441-9	HEX. SOCKET HEAD BOLT M8X25		3		
239	421845-7	FOOT		4		
240	267195-4	FLAT WASHER 4		4		
241	266026-4	TAPPING SCREW BIND CT 4X12		4		
242	140054-6	BASE COMPLETE		1	*	
D10		INC. 243,246,252				
242-1	140054-6	BASE COMPLETE	<	1		
D10		INC. 243,246,252				
243	810495-7	CAUTION LABEL		1		
246	817283-3	CAUTION LABEL		1		
247	816920-6	MITER SCALE PLATE		1		
248	451012-0	SLIDE PLATE		1		
249	266026-4	TAPPING SCREW BIND CT 4X12		3		
250	266034-5	TAPPING SCREW CT 4X16		1	*	
251	232075-3	LEAF SPRING		1	*	
252	817283-3	CAUTION LABEL		1		
254	257785-1	SLEEVE 6		1		
255	922226-3	HEX. SOCKET HEAD BOLT M5X18		1		
256	216024-8	STEEL BALL 4		2		
257	253874-0	FLAT WASHER 4		1		
258	266042-6	TAPPING SCREW BIND CT 4X20		1		
259	421589-9	CAP		1		
260	346075-8	LOCK LEVER		1		
261-1	922111-0	HEX. SOCKET HEAD BOLT M4X10		2		
262	325664-2	ROD 8		1		
263	231633-2	TORSION SPRING 8		1		
264	451129-9	ROD HOLDER		1		
265	961012-7	STOP RING E-6		1		
266	266034-5	TAPPING SCREW CT 4X16		2		
267	233540-5	TORSION SPRING 11		1	*	
268	266514-1	HEX.HEAD BOLT M5		1	*	
269	346123-3	FRONT GUARD		1	*	
270	931203-4	HEX. NUT M5		1	*	
271	942151-2	SPRING WASHER 6		1	*	

271-1	253428-3	SPRING WASHER 6	O	1		
272	253313-0	THIN WASHER 14		1		
A01	122852-0	DUST BAG ASS'Y		1		
C10	410602-8	FASTENER		1		
A02	122854-6	WISE ASS'Y		1		
C11	140037-6	WISE ARM A COMPLETE		1		
C16	140038-4	WISE ARM B COMPLETE		1		
C21	168522-7	SET PLATE		1		
C26	251370-2	+ PAN HEAD SCREW M5		1		
C31	251887-5	SCREW M6X10		1		
C36	253744-3	FLAT WASHER 12		1		
C41	253804-1	FLAT WASHER 6		1		
C46	266026-4	TAPPING SCREW BIND CT 4X12		1		
C51	271328-5	KNOB 40		1		
C56	313163-6	RELEASE NUT R		1		
C61	313164-4	RELEASE NUT L		1		
C66	343651-9	WISE PLATE		1		
C71	346053-8	NUT HOLDER		1		
C76	346054-6	PROTECTOR		2		
C81	961052-5	RETAINING RING (EXT) S-12		1		
A03	762001-3	TRIANGULAR RULE		1		
A04-1	265786-5	SCREW M5X16		2		
A05	325673-1	HOLDER 200		2		
A06	782232-8	BOX WRENCH 13		1	*	
A06-1	783204-6	HEX. WRENCH 6	X	1		
A07	B-11019	TCT SAW BLADE 260X60TX30		1		
E01	257262-3	RING 16		1		
E02	651941-9	SWITCH V-15-2A5		1		
C10	654086-2	RECEPTACLE		2		
E03	654531-7	TERMINAL BLOCK 2P		1		
E07	941051-3	FLAT WASHER 4		2		
E08	410047-0	WRENCH HOLDER 5.6		1		
F02-3	198687-1	STAND SET	<	1		
F04-1	198688-9	STAND SET	<	1		

Please state Parts No. when your order.

Print Date 10/31/2023