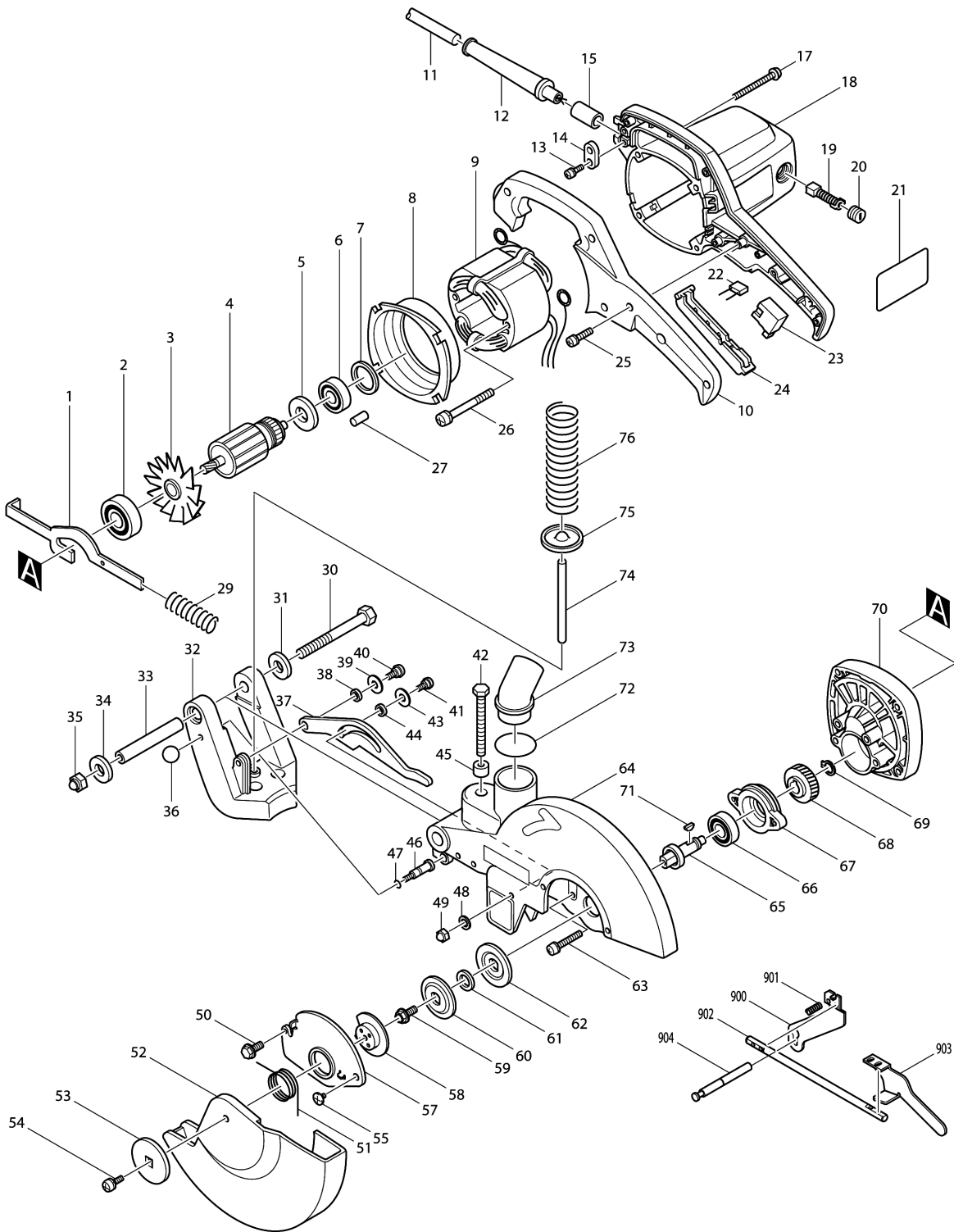
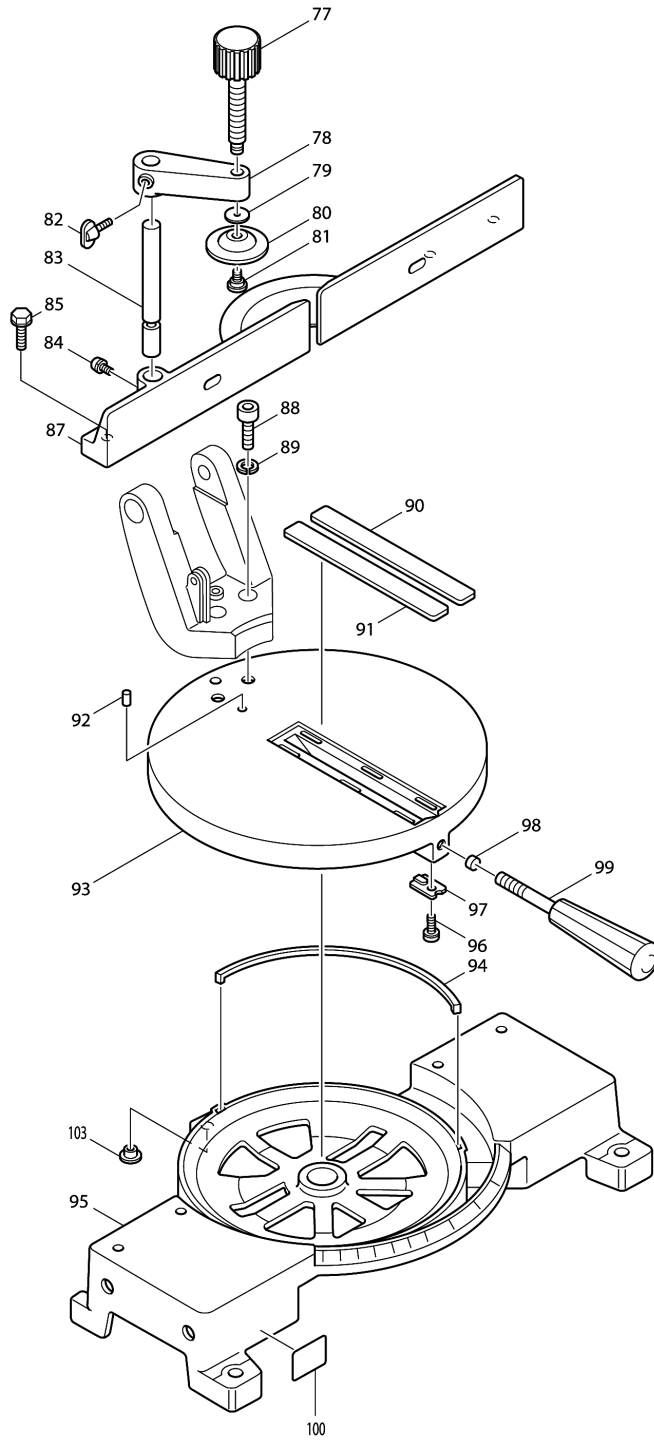


Model No.LS1030 MITER SAW 255MM



Model No.LS1030 MITER SAW 255MM



Model No.LS1030 MITER SAW 255MM

Item	Parts No.	Description	I/C	Qty	New/Old	Opt. 1	Opt. 2	Note
001	343641-2	SHAFT LOCK		1				
002	211106-1	BALL BEARING 6201LLB		1	*			
002-1	211144-3	BALL BEARING 6201LLB	O	1	*			
002-2	211106-1	BALL BEARING 6201LLB	O	1				
003-1	241514-2	FAN 92		1				
004C_	514923-1	ARMATURE ASS'Y 220V		1				
D11		INC. 3,5,6						
005	681623-9	INSULATION WASHER		1				
006-1	211068-3	BALL BEARING 6200LB		1				
007	261081-1	URETHANE WASHER 25		1				
008	414532-5	FAN GUIDE		1				
009C_	524883-9	FIELD ASS'Y 220V		1				
C10	654020-2	RING TERMINAL		1				
C20	654502-4	CONNECTOR P-2		1				
010A_	414572-3	HANDLE COVER		1				
011W_	665865-3	POWER SUPPLY CORD 1.0-2-2.5		1				
012C_	682540-6	CORD GUARD 9.3-90		1	*			
012C1	682505-8	CORD GUARD 10-90	O	1				
013	911133-5	PAN HEAD SCREW M4X18		2				
014C_	687031-2	STRAIN RELIEF		1				
015A_	683240-1	TUBE 10-10.8-15		1				
017	911383-2	PAN HEAD SCREW M6X60		4				
018B_	159551-1	MOTOR HOUSING COMPLETE		1				
C10	643653-8	BRUSH HOLDER 6.5-13.5		2	*			
C11	643660-1	BRUSH HOLDER 6.5-13.5	O	2				
C20	817882-1	CAUTION LABEL		1				
D10		INC. 27						
019C_	181044-0	CARBON BRUSH CB-153		1	*			
019C1	194985-1	CARBON BRUSH SET CB-153	O	1				
020	643650-4	BRUSH HOLDER CAP 6.5-13.5		2	*			
020-1	643650-4	BRUSH HOLDER CAP 6.5-13.5	O	2				
021	856507-2	NAME PLATE LS1030		1				
022B_	645209-3	NOISE SUPPRESSOR		1				
023	651895-0	SWITCH SP115F-1		1				
024	414157-5	SWITCH LEVER		1				
025	911148-2	PAN HEAD SCREW M4X25		5				
026	911290-9	PAN HEAD SCREW M5X65		2				
027	263002-9	RUBBER PIN 4		1				
029	231297-2	COMPRESSION SPRING 9		1				
030	265356-0	HEX. BOLT M10X105		1				
031	941251-5	FLAT WASHER 10		1				
032	316159-6	ARM		1				
033	331350-5	PIN 16-90		1	*			
033-1	331350-5	PIN 16-90	O	1				
034	941251-5	FLAT WASHER 10		1				

Please order the parts with part number.

Print Date 23/10/2023

Model No.LS1030 MITER SAW 255MM

Item	Parts No.	Description	I/C	Qty	New/Old	Opt. 1	Opt. 2	Note
035	252111-9	HEX. LOCK NUT M10		1				
036	271601-3	KNOB 20		1				
037	343640-4	LINK PLATE		1				
038	257162-7	RING 7		1				
039	253823-7	FLAT WASHER 7		1				
040	251369-7	+ BINDING HEAD SCREW M6		1				
041	251362-1	+ BINDING HEAD SCREW M6		1				
042	251667-9	HEX. BOLT M8X75		1				
043	253823-7	FLAT WASHER 7		1				
044	257162-7	RING 7		1				
045	262511-5	RUBBER SLEEVE 6		1				
046	322338-6	STOPPER PIN		1				
047	213021-5	O RING 5		1				
048	941152-7	FLAT WASHER 6		1				
049	252112-7	HEX. CAP NUT M6		1				
050	265324-3	HEX. FLANGE HEAD BOLT M8X12		1				
051	231593-8	TORSION SPRING 36		1				
052	414531-7	SAFETY COVER		1				
053	253977-0	FLAT WASHER 6		1				
054	911211-1	PAN HEAD SCREW M5X12		1				
055-1	265008-3	+ FLAT HEAD SCREW M5		1				
057	343637-3	CENTER COVER		1				
058	343639-9	CENTER PLATE		1				
059	265355-2	HEX. FLANGE HEAD BOLT M8X20		1				
060	224274-1	FLANGE 55		1	*			
060-1	224333-1	FLANGE 53	S	1				
061A_	257022-3	RING 16		1				
062	224274-1	FLANGE 55		1	*			
062-1	224333-1	FLANGE 53	S	1				
063	911366-2	PAN HEAD SCREW M6X45		2				
064D_	150392-8	BLADE CASE COMPLETE		1				
C10	810737-9	CAUTION LABEL		1				
C20	817667-5	CAUTION LABEL		1				
C30	817904-7	CAUTION LABEL		1				
C40	263002-9	RUBBER PIN 4		1				
065	322309-3	SPINDLE		1				
066	211256-2	BALL BEARING 6203LLB		1				
067	414530-9	BEARING BOX		1				
068	221712-4	HELICAL GEAR 41		1				
069	961057-5	RETAINING RING S-17		1				
070-1	159252-1	GEAR HOUSING COMPLETE		1				
C10	212105-6	NEEDLE BEARING 1210		1				
071-1	254038-9	WOODRUFF KEY 4		1				
072	213460-9	O RING 35		1				

Please order the parts with part number.

Print Date 23/10/2023

Model No.LS1030 MITER SAW 255MM

Item	Parts No.	Description	I/C	Qty	New/Old	Opt. 1	Opt. 2	Note
073	414568-4	ELBOW		1				
074	256198-3	PIN 8		1				
075	343638-1	SPRING HOLDER		1				
076	231480-1	COMPRESSION SPRING 26		1				
077	271286-5	KNOB 40		1				
078-2	122468-1	WISE ASS'Y		1	*			
C10	316177-4	WISE ARM		1	*			
D10		INC. 77,79-83			*			
078-3	122536-0	WISE ASS'Y	X	1				
C10	316938-2	WISE ARM		1				
D10		INC. 77,79-82,83						
079	253804-1	FLAT WASHER 6		1				
080	343651-9	WISE PLATE		1				
081	251370-2	+ PAN HEAD SCREW M5		1				
082	251887-5	SCREW M6X10		1				
083-1	322313-2	WISE ROD		1				
084-1	911306-0	PAN HEAD SCREW M6X10		1				
085	921451-3	HEX. BOLT M8X30		4				
087	316158-8	GUIDE FENCE		1				
088	922552-0	HEX. SOCKET HEAD BOLT M10X30		2				
089	942251-8	SPRING WASHER 10		2				
090	414536-7	KERF BOARD		1				
091	414536-7	KERF BOARD		1				
092	256040-8	PIN 5		1				
093	316160-1	TURN BASE		1				
094	343642-0	SLIDE PLATE		3	*			
094-1	344035-4	SLIDE PLATE	S	3				
095-1	316161-9	BASE		1				
096-2	911203-0	PAN HEAD SCREW M5X8		1				
097	232110-7	LEAF SPRING		1				
098	263019-2	NYLON PIN 8		1				
099	273495-2	GRIP 32		1				
100B_	817839-2	CAUTION LABEL		1				
102	819064-1	MAKITA MARK		1				
103	286212-1	CAP 20		1				
104	817283-3	CAUTION LABEL		1				
900	343965-6	LOCK PLATE		1				
901	231401-3	COMPRESSION SPRING 7		1				
902	322561-3	ROD 8		1				
903	343966-4	LEVER		1				
904	322562-1	LOCK PIN 8		1				
905	911118-1	PAN HEAD SCREW M4X12		4				
906	961012-7	STOP RING E-6		1				
A01	257022-3	RING 16		1				
A02	343652-7	SET PLATE		1	*			

Please order the parts with part number.

Print Date 23/10/2023

Model No.LS1030 MITER SAW 255MM

Item	Parts No.	Description	I/C	Qty	New/Old	Opt. 1	Opt. 2	Note
A02-1	345709-0	SET PLATE	O	1				
A03	251887-5	SCREW M6X10		1				
A04-1	251896-4	SCREW M5X20		2				
A05	322312-4	HOLDER		2				
A06	782212-4	SOCKET WRENCH 13		1				
A07	122351-2	DUST BAG ASS'Y		1				
D10		INC. A08						
A08	410602-8	FASTENER		1				
E01	231481-9	COMPRESSION SPRING 9		1				
E02	411447-7	LOCK OFF SWITCH BUTTON		1				
E03	414535-9	SWITCH LOCK		1				

Please order the parts with part number.

Print Date 23/10/2023