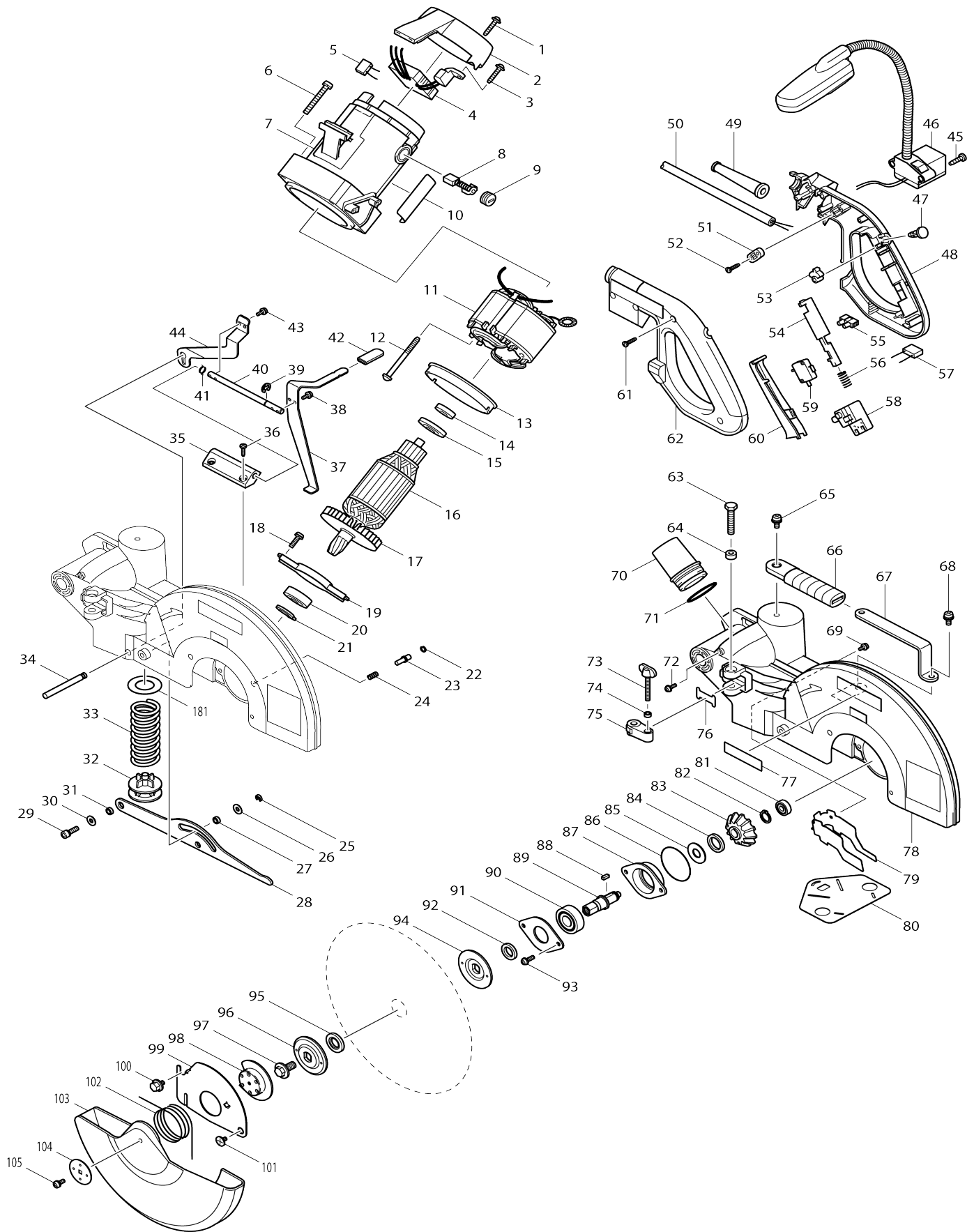
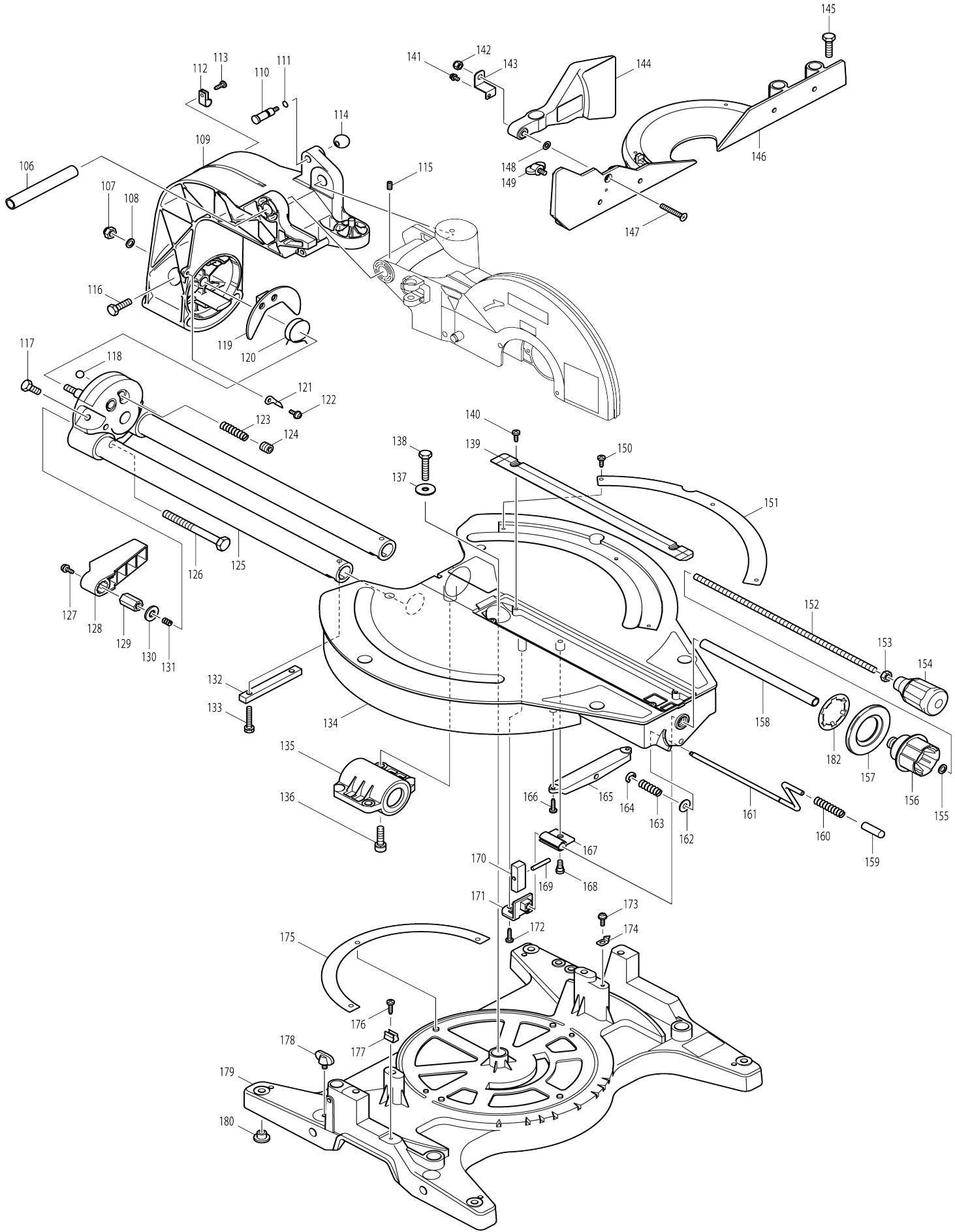


# Model No.LS1214F SLIDE COMPOUND SAW 305MM



Model No.LS1214F SLIDE COMPOUND SAW 305MM



Model No.LS1214F SLIDE COMPOUND SAW 305MM

Item No.	Parts No.	Description	Interchangability	Q'ty	New/Old	Note1	Note2
001	265995-6	TAPPING SCREW 4X18		2			
002	416075-3	REAR COVER		1			
003	265995-6	TAPPING SCREW 4X18		1			
004	631238-2	CONTROLLER		1			
005	645105-5	NOISE SUPPRESSOR		1			
006	911373-5	PAN HEAD SCREW M6X50		4			
007	153907-0	MOTOR HOUSING COMPLETE		1			
C10	643660-1	BRUSH HOLDER 6.5-13.5		2			
008	181044-0	CARBON BRUSH CB-153		1	*		
008-1	194985-1	CARBON BRUSH SET CB-153	O	1			
009	643650-4	BRUSH HOLDER CAP 6.5-13.5		2	*		
009-1	643650-4	BRUSH HOLDER CAP 6.5-13.5	O	2			
010	860634-9	NAME PLATE LS1214F		1			
011	599508-4	FIELD ASS'Y 220-240V		1			
C10	654020-2	RING TERMINAL		2			
C20	654502-4	CONNECTOR P-2		2			
012	266059-9	TAPPING SCREW 5X75		2			
013	416264-0	BAFFLE PLATE		1			
014	211061-7	BALL BEARING 6000LLB		1			
015	681642-5	INSULATION WASHER		1			
016	516738-2	ARMATURE ASS'Y 220V		1			
D10		INC. 14,15,17					
017	240001-8	FAN 80		1			
018	911223-4	PAN HEAD SCREW M5X16		2			
019	285686-3	BEARING RETAINER 94		1			
020	211251-2	BALL BEARING 6003LLB		1	*		
020-1	210210-3	BALL BEARING 6003LLB	O	1			
021	961057-5	RETAINING RING S-17		1			
022	231928-3	RING SPRING 8		1			
023	256633-1	PIN 6		1			
024	231240-1	COMPRESSION SPRING 7		1			
025	961018-5	STOP RING E-5		1			
026	253804-1	FLAT WASHER 6		1			
027	257163-5	RING 6		1			
028	345419-9	LINK PLATE		1			
029	922331-6	HEX. SOCKET HEAD BOLT M6X20		1			
030	253804-1	FLAT WASHER 6		1			
031	257163-5	RING 6		1			
032	316470-6	SPRING HOLDER		1			
033	233424-7	COMPRESSION SPRING 34		1			
034	324458-2	LOCK PIN 8		1			
035	418610-3	ROD HOLDER		1			
036	266034-5	TAPPING SCREW CT 4X16		2			
037	345416-5	LOCK LEVER		1	*		
037-1	345855-9	LOCK LEVER	<	1			
038	911113-1	PAN HEAD SCREW M4X10 WITH WR		2	*		
038-1	922107-1	HEX. SOCKET HEAD BOLT M4X8	X	2			

039	961012-7	STOP RING E-6		1		
040	324459-0	ROD 8		1		
041	231633-2	TORSION SPRING 8		1		
042	421589-9	CAP		1		
043	911113-1	PAN HEAD SCREW M4X10 WITH WR		2		
044	345417-3	LOCK PLATE		1		
045	265995-6	TAPPING SCREW 4X18		2		
046	125180-2	LIGHT ASS'Y		1		
C10	152923-9	LAMP BOX COMPLETE G0121300 100		1		
C20	193730-1	FLUORESCENT LIGHT SET		1	*	
047	411478-6	SWITCH BUTTON		1		
048	183842-8	HANDLE SET		1		
C10	810966-4	CAUTION LABEL		1		
D10		INC. 62				
049	682540-6	CORD GUARD 9.3-90		1	*	
049-1	682505-8	CORD GUARD 10-90	O	1		
050	665865-3	POWER SUPPLY CORD 1.0-2-2.5		1		
051	687052-4	STRAIN RELIEF		1		
052	265995-6	TAPPING SCREW 4X18		2		
053	414546-4	CAM		1		
054	416000-4	LOCK OFF LEVER		1		
055	654575-7	TERMINAL BLOCK		1		
056	231457-6	COMPRESSION SPRING 3		1		
057	645200-1	NOISE SUPPRESSOR		1		
058	651923-1	SWITCH TG70B		1		
059	651941-9	SWITCH V-15-2A5		1		
060	415999-0	SWITCH LEVER		1		
061	265995-6	TAPPING SCREW 4X18		6		
062	183842-8	HANDLE SET		1		
C10	810966-4	CAUTION LABEL		1		
D10		INC. 48				
063	921467-8	HEX. BOLT M8X45		1		
064	262003-4	RUBBER RING 6		1		
065	911323-0	PAN HEAD SCREW M6X16		1		
066	421562-9	GRIP		1		
067	344420-1	GRIP HOLDER		1		
068	911323-0	PAN HEAD SCREW M6X16		1		
069	911114-9	PAN HEAD SCREW M4X10		1		
070	416133-5	DUST NOZZLE		1	*	
070-1	419277-0	DUST NOZZLE	O	1		
071	213460-9	O RING 35		1		
072	911113-1	PAN HEAD SCREW M4X10 WITH WR		1		
073	265717-4	SCREW M6X43		1		
074	262001-8	URETHANE RING 5		1		
075	317176-9	STOPPER ARM		1		
076	344045-1	STOPPER ARM PLATE		1		
077	819064-1	MAKITA MARK		1	*	
077-1	819215-6	MAKITA LOGO LABEL	X	1		
078	183843-6	BLADE CASE		1	*	

C10	810964-8	CAUTION LABEL		1	*		
C20	810968-0	CAUTION LABEL		1	*		
C30	817667-5	CAUTION LABEL		1	*		
D10		INC. 77					
078-1	188377-4	BLADE CASE SET	O	1			
C10	810964-8	CAUTION LABEL		1			
C20	810968-0	CAUTION LABEL		1			
C30	817667-5	CAUTION LABEL		1			
D10		INC. 77					
079	345415-7	GUARD PLATE		1	*		
079-1	345611-7	GUARD PLATE	S	1			
080	423332-2	GUARD		1	*		
080-1	421916-0	GUARD	S	1			
081	211031-6	BALL BEARING 608LLB		1			
082	961054-1	RETAINING RING S-14		1			
083	226750-1	SPIRAL BEVEL GEAR 35		1			
084	262074-1	RUBBER RING 20		1			
085	267035-6	FLAT WASHER 14		1			
086	213675-8	O RING 54		1			
087	316473-0	BEARING BOX		1			
088	254202-2	KEY 4		1			
089	322989-5	SPINDLE		1			
090	211278-2	BALL BEARING 6203DDW		1			
091	285828-9	BEARING RETAINER 66		1			
092	257022-3	RING 16		1			
093	911223-4	PAN HEAD SCREW M5X16		2			
094	224398-3	FLANGE 61		1			
095	257262-3	RING 16		1			
096	224398-3	FLANGE 61		1			
097	265405-3	HEX. FLANGE HEAD BOLT M10X20		1			
098	344473-0	CENTER PLATE		1			
099	344038-8	CENTER COVER		1			
100	265324-3	HEX. FLANGE HEAD BOLT M8X12		1			
101	265008-3	+ FLAT HEAD SCREW M5		1			
102	231613-8	TORSION SPRING 45		1			
103	418614-5	SAFETY COVER		1	*		
103-1	450131-9	SAFETY COVER	<	1			
104	253977-0	FLAT WASHER 6		1			
105	911213-7	PAN HEAD SCREW M5X12		1			
106	331428-4	PIN 16-113		1	*		
106-1	331428-4	PIN 16-113	O	1			
107	252105-4	HEX. LOCK NUT M8-13		1			
108	941201-0	FLAT WASHER 8		1			
109	317756-1	ARM		1	*		
109-1	317984-8	ARM	<	1			
110	322629-5	STOPPER PIN		1			
111	213011-8	O RING 7		1			
112	687042-7	STRAIN RELIEF		1			
113	266026-4	TAPPING SCREW BIND CT 4X12		1			
114	271601-3	KNOB 20		1			
115	251961-9	H.S.SET SCREW(FLAT POINT)M6X		1			

		10				
116	265455-8	HEX. BOLT M8X28		2		
117	265412-6	HEX. BOLT M8X20		2		
118	216003-6	STEEL BALL 10		2		
119	345418-1	GUIDE PLATE		1		
120	231626-9	TORSION SPRING 28		1		
121	413067-3	INDICATION PLATE		2		
122	911114-9	PAN HEAD SCREW M4X10		2		
123	233168-9	COMPRESSION SPRING 5		2		
124	266131-7	H.S.SET SCREW(FLATPOINT)M12X 12		2		
125	151459-5	ARM HOLDER COMPLETE		1		
C10	816771-7	BEVEL SCALE LABEL		1		
126	251662-9	HEX. BOLT M10X100		1		
127	911113-1	PAN HEAD SCREW M4X10 WITH WR		1		
128	416006-2	LEVER 100		1		
129	252144-4	HEX. NUT M10-17		1		
130	253024-7	FLAT WASHER 10		1		
131	231266-3	COMPRESSION SPRING 5		1		
132	152542-1	SQUARE ROD COMPLETE		1		
C10	263005-3	RUBBER PIN 6		1		
133	921356-7	HEX. BOLT M6X35		2		
134	153832-5	TURN BASE COMPLETE		1		
C10	211444-1	LINEAR BALL BEARING 3064		1		
C20	219002-7	BEARING 30		1		
C30	262048-2	FELT RING 30		2		
C40	263005-3	RUBBER PIN 6		1		
C50	343676-3	CAP		1		
C60	817283-3	CAUTION LABEL		2		
135	152540-5	BEARING BOX B COMPLETE		1		
C10	211444-1	LINEAR BALL BEARING 3064		1		
C20	262048-2	FELT RING 30		2		
C30	343676-3	CAP		2		
C40	316837-8	BEARING BOX (B)		1		
136	922451-6	HEX. SOCKET HEAD BOLT M8X30		2		
137	253852-0	FLAT WASHER 8		1		
138	265442-7	HEX. BOLT M8X40		1		
139	415209-5	KERF BOARD		2		
140	266026-4	TAPPING SCREW BIND CT 4X12		4		
141	911108-4	PAN HEAD SCREW M4X8		1		
142	252014-7	HEX. LOCK NUT M6-10		1		
143	344463-3	SUB FENCE PLATE		1		
144	153890-1	SUB FENCE COMPLETE		1		
C10	810967-2	CAUTION LABEL		1		
145	265488-3	HEX. BOLT M8X30		4		
146	317757-9	GUIDE FENCE		1		
147	912357-6	COUNTERSUNK HEAD SCREW M6 X35		1		
148	253715-0	FLAT WASHER 6		1		
149	251887-5	SCREW M6X10		1		
150	266026-4	TAPPING SCREW BIND CT 4X12		2		

151	816326-8	MITER SCALE PLATE		1		
152	266132-5	SCREW M8X320		1		
153	931402-8	HEX. NUT M8		1		
154	271314-6	GRIP 40		1		
155	941201-0	FLAT WASHER 8		1		
156	152541-3	KNOB 48 COMPLETE		1		
157	421863-5	CAP		1		
158	331491-7	PIN 9-200		1	*	
158-1	331491-7	PIN 9-200	O	1		
159	421563-7	CAP 10		1		
160	322924-3	COIL SPRING		1		
161	322909-9	LOCK PIN		1		
162	253804-1	FLAT WASHER 6		1		
163	231307-5	COMPRESSION SPRING 6		1		
164	961018-5	STOP RING E-5		1		
165	316899-6	PIN HOLDER		1		
166	266034-5	TAPPING SCREW CT 4X16		2		
167	344411-2	SLIDE STOPPER		1		
168	251267-5	+ PAN HEAD SCREW M6		1		
169	256196-7	PIN 5		1		
170	331493-3	TURN STOPPER		1		
171	344412-0	STOPPER HOLDER		1		
172	266034-5	TAPPING SCREW CT 4X16		1		
173	266026-4	TAPPING SCREW BIND CT 4X12		1		
174	816128-2	POINTER		1		
175	344477-2	SLIDE PLATE		2		
176	266034-5	TAPPING SCREW CT 4X16		1		
177	232075-3	LEAF SPRING		1		
178	251887-5	SCREW M6X10		2		
179	153889-6	BASE COMPLETE		1		
C10	810965-6	CAUTION LABEL		1		
180	286212-1	CAP 20		4		
181	253791-4	FLAT WASHER 25		1	*	
182	345494-5	STOPPER		1		
A01	122523-9	DUST BAG ASS'Y		1	*	
C10	410602-8	FASTENER		1	*	
A01-1	122852-0	DUST BAG ASS'Y	O	1		
C10	410602-8	FASTENER		1		
A02	122540-9	WISE ASS'Y		1		
C10	251370-2	+ PAN HEAD SCREW M5		1		
C20	251887-5	SCREW M6X10		1		
C30	253804-1	FLAT WASHER 6		1		
C40	271303-1	KNOB 40		1		
C50	316938-2	WISE ARM		1		
C60	322983-7	WISE ROD		1		
C70	343651-9	WISE PLATE		1		
A03	153896-9	SUB FENCE R COMPLETE		1		
C10	817319-8	CAUTION LABEL		1		
A04	411478-6	SWITCH BUTTON		2		
A05	762001-3	TRIANGULAR RULE		1		
A06	251887-5	SCREW M6X10		2		
A07	322932-4	HOLDER 255		2		

A08	B-03844	T.C.T.SAW BLADE 305X30X60		1			
A09	782212-4	SOCKET WRENCH 13		1			
F02	192628-9	CROWN MOLDING STOPPER (L.R )		1			

Please state Parts No. when your order.

Print Date 10/23/2023