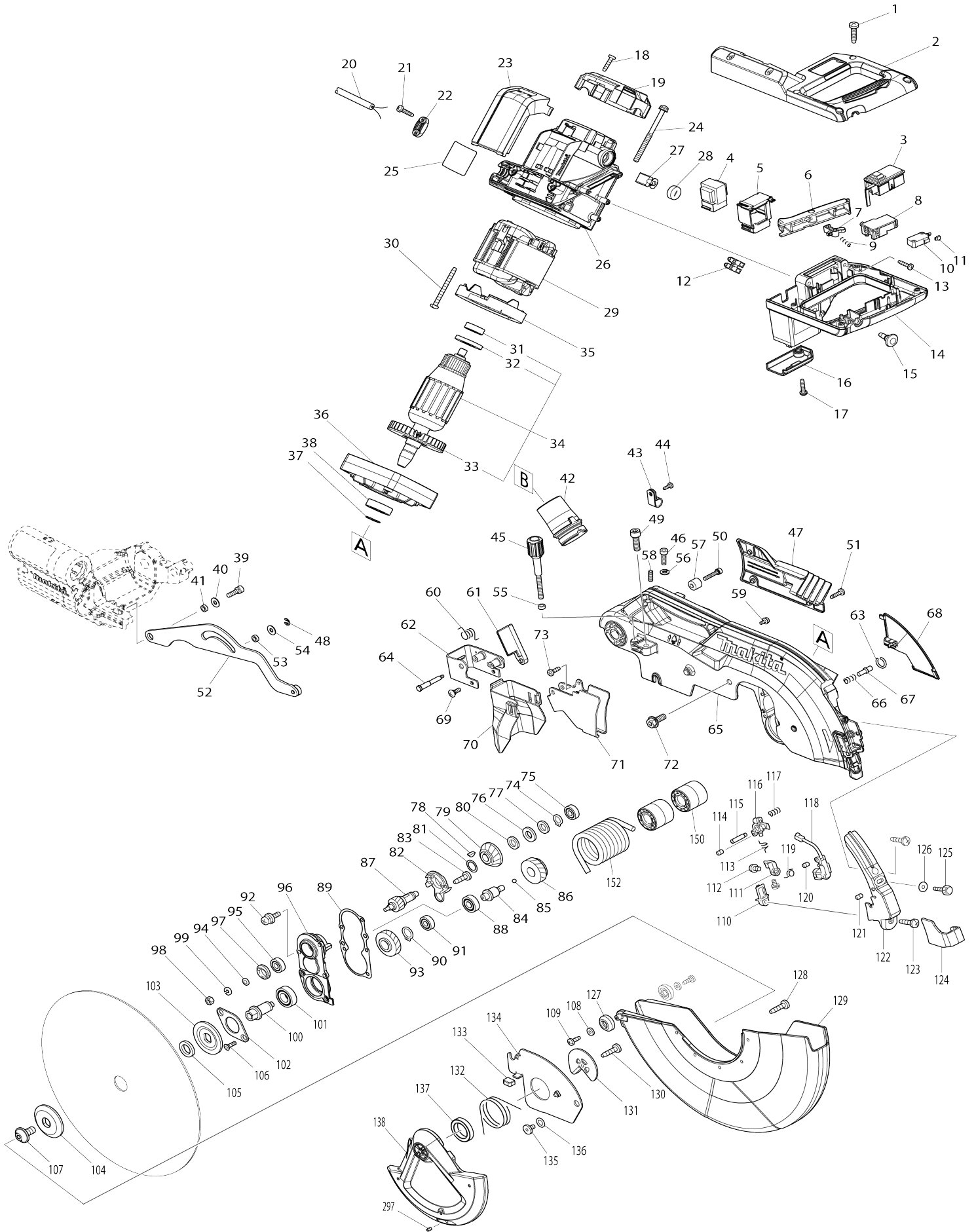
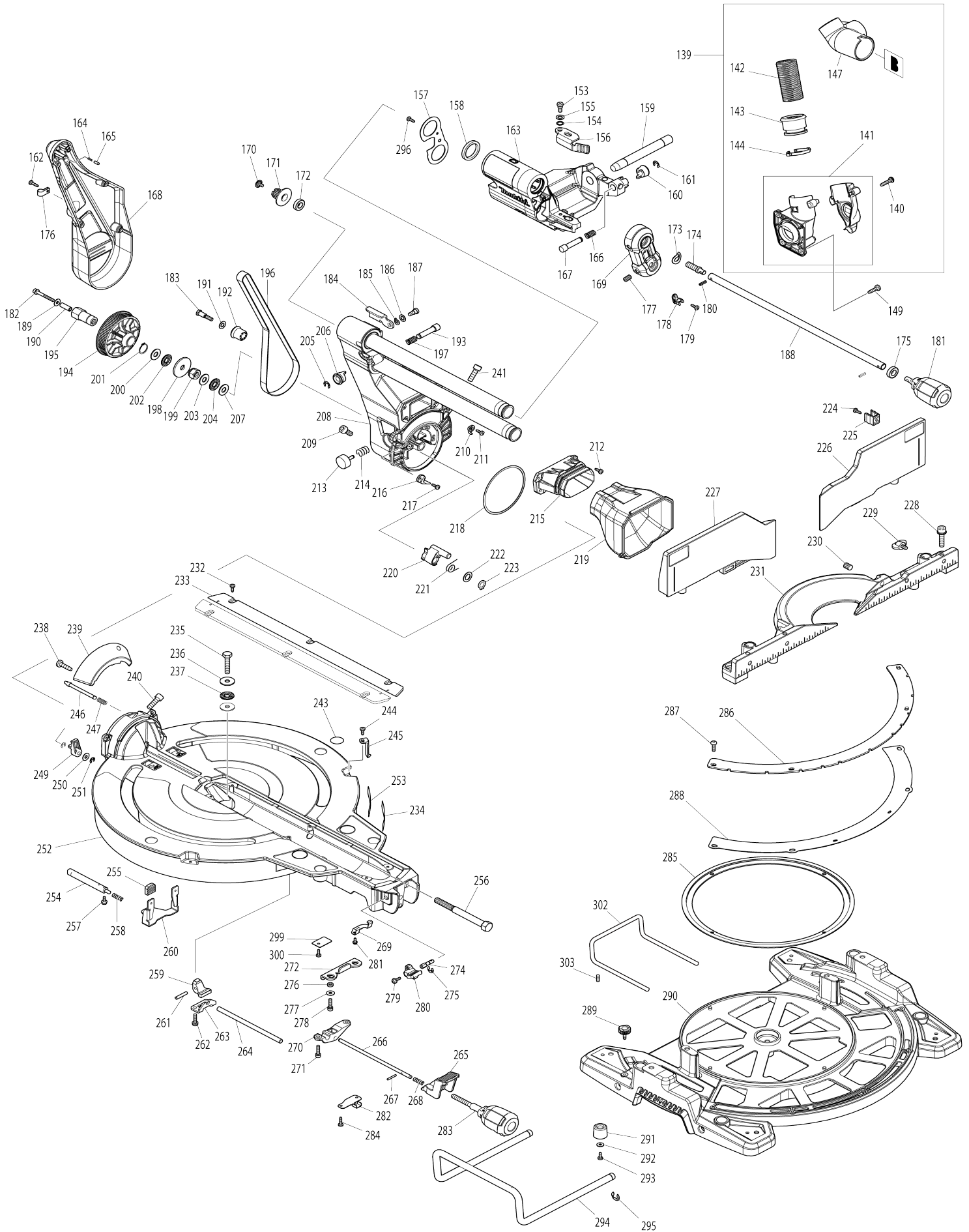


Model No.LS1219L 305MM SLIDE COMPOUND MITER SAW



Model No.LS1219L 305MM SLIDE COMPOUND MITER SAW



Model No.LS1219L 305MM SLIDE COMPOUND MITER SAW

Item No.	Parts No.	Description	Interchangeability	Q'ty	New/Old	Note1	Note2
001	265995-6	TAPPING SCREW 4X18		6			
002	183H19-3	HANDLE SET		1			
C10	810486-8	CAUTION LABEL		1			
C20	808641-4	SWITCH INDICATION LABEL		1			
D10		INC. 14					
003	638652-3	LASER SWITCH UNIT		1			
004	631908-3	POWER SUPPLY CIRCUIT		1			
005	451412-4	CASE		1			
006	451003-1	SWITCH LEVER		1			
007	416356-5	LOCK-OFF LEVER		1			
008	650687-4	SWITCH TGC32B		1			
009	231026-3	COMPRESSION SPRING 4		1			
010	651941-9	SWITCH V-15-2A5		1			
011	686015-7	RECEPTACLE SLEEVE		2			
012	654531-7	TERMINAL BLOCK 2P		1			
013	265995-6	TAPPING SCREW 4X18		4			
014	183H19-3	HANDLE SET		1			
C10	810486-8	CAUTION LABEL		1			
C20	808641-4	SWITCH INDICATION LABEL		1			
D10		INC. 2					
015	451037-4	SWITCH BUTTON		1			
016	451000-7	LEAD COVER HOLDER		1			
017	265995-6	TAPPING SCREW 4X18		1			
018	265995-6	TAPPING SCREW 4X18		2			
019	457652-2	REAR COVER		1			
020	665865-3	POWER SUPPLY CORD 1.0-2-2.5		1			
021	265995-6	TAPPING SCREW 4X18		2			
022	687052-4	STRAIN RELIEF		1			
023	620811-3	CONTROLLER		1			
024	911948-0	PAN HEAD SCREW M6X80 WITH WR		4			
025	854B49-2	LS1219L NAME PLATE		1			
026	144533-6	MOTOR HOUSING COMPLETE		1			
C10	643660-1	BRUSH HOLDER 6.5-13.5		2			
027	181044-0	CARBON BRUSH CB-153		1			
028	643650-4	BRUSH HOLDER CAP 6.5-13.5		2			
029	596359-6	FIELD ASSEMBLY 240V		1			
C10	654020-2	RING TERMINAL		2			
C20	654502-4	CONNECTOR P-2		2			
030	266329-6	TAPPING SCREW 5X60		2	*		
030-1	265A86-9	TAPPING SCREW 5X60	O	2			
031	210067-2	BALL BEARING 6000ZZ		1			
032	681642-5	INSULATION WASHER		1			
033	240001-8	FAN 80		1			
034	517844-6	ARMATURE ASSEMBLY 240V		1			
D10		INC. 31-33					
035	451194-8	BAFFLE PLATE		1			
036	318471-0	MOTOR BRACKET		1			

037	961057-5	RETAINING RING S-17		1		
038	211275-8	BALL BEARING 6003DDW		1		
039	922331-6	HEX. SOCKET HEAD BOLT M6X20		1		
040	253804-1	FLAT WASHER 6		1		
041	257163-5	RING 6		1	*	
041-1	257461-7	RING 6	X	1		
042	457704-9	DUST NOZZLE		1	*	
042-1	459250-8	DUST NOZZLE	S	1		
043	687042-7	STRAIN RELIEF		1		
044	266034-5	TAPPING SCREW CT 4X16		1		
045	251554-2	THUMB SCREW M6X40		1		
046	922332-4	HEX. SOCKET HEAD BOLT M6X20		1		
047	458146-0	LOGO PLATE		1		
048	961018-5	STOP RING E-5		1		
049	251547-9	HEX.SOCKET HEAD BOLT M8X25		1		
050	922251-4	HEX. SOCKET HEAD BOLT M5X30		1		
051	266034-5	TAPPING SCREW CT 4X16		3		
052	144929-1	LINK PLATE COMPLETE		1	*	
052-1	140J53-8	LINK PLATE COMPLETE	<	1		
053	257163-5	RING 6		1	*	
053-1	257461-7	RING 6	X	1		
054	253804-1	FLAT WASHER 6		1		
055	262001-8	URETHANE RING 5		1		
056	942151-2	SPRING WASHER 6		1	*	
056-1	253428-3	SPRING WASHER 6	O	1		
057	257449-7	SLEEVE 6		1		
058	266321-2	H.S.SET SCREW(FLAT POINT)M6X 16		1		
059	911114-9	PAN HEAD SCREW M4X10		2		
060	231675-6	TORSION SPRING 11		1	*	
060-1	232412-1	TORSION SPRING 11	X	1		
061	457764-1	DUST GUIDE PLATE		1		
062	161647-6	GUARD HOLDER		1		
063	231928-3	RING SPRING 8		1		
064	251544-5	SHOULDER HEX. BOLT M4		1		
065	144918-6	BLADE CASE COMPLETE		1	*	
C10	263005-3	RUBBER PIN 6		3	*	
C20	810064-4	LASER BEAM CAUTION LABEL		1	*	
C30	810354-5	LASER BEAM LABEL		1	*	
065-1	140F83-5	BLADE CASE COMPLETE	<	1		
C10	263005-3	RUBBER PIN 6		3		
C20	810064-4	LASER BEAM CAUTION LABEL		1		
C30	810354-5	LASER BEAM LABEL		1		
066	231240-1	COMPRESSION SPRING 7		1		
067	256633-1	PIN 6		1		
068	458148-6	LEAD COVER		1		
069	265028-7	+ PAN HEAD SCREW M4X11		1	*	
069-1	265D50-8	+PAN HEAD SCREW M4X11	O	1		
070	422235-7	GUARD		1		
071	347308-4	GUARD PLATE		1		
072	266283-4	HEX. SOCKET HEX. BOLT M8X20		1		
073	266020-6	TAPPING SCREW 4X12		1		

074	961052-5	RETAINING RING (EXT) S-12		1		
075	210005-4	BALL BEARING 608DDW		1		
076	261104-5	RUBBER WASHER 12		1		
077	253744-3	FLAT WASHER 12		1		
078	254001-2	WOODRUFF KEY 4		1		
079	227550-2	SPIRAL BEVEL GEAR 32		1		
080	253744-3	FLAT WASHER 12		1		
081	253313-0	THIN WASHER 14		1		
082	451002-3	GREASE HOLDER		1		
083	266026-4	TAPPING SCREW BIND CT 4X12		2		
084	325643-0	GEAR SHAFT		1		
085	216024-8	STEEL BALL 4		1		
086	227702-5	HELICAL GEAR 27		1		
087	227701-7	HELICAL GEAR 14		1		
088	210067-2	BALL BEARING 600ZZ		1		
089	442147-8	GASKET		1		
090	961055-9	RETAINING RING S-15		1		
091	210005-4	BALL BEARING 608DDW		1		
092	911223-4	PAN HEAD SCREW M5X16		3		
093	227703-3	HELICAL GEAR 28		1		
094	267010-2	FLAT WASHER 5		1		
095	210005-4	BALL BEARING 608DDW		1		
096	158957-0	BEARING BOX COMPLETE		1		
C10	263002-9	RUBBER PIN 4		1		
097	285847-5	BEARING RETAINER 14-23		1		
098	931202-6	HEX. NUT M5		1		
099	942101-7	SPRING WASHER 5		1	*	
099-1	253427-5	SPRING WASHER 5	O	1		
100	325644-8	SPINDLE		1		
101	211236-8	BALL BEARING 6002DDW		1		
102	285732-2	BEARING RETAINER 51		1		
103	224431-1	INNER FLANGE 53		1		
104	224432-9	OUTER FLANGE 53		1		
105	257262-3	RING 16		1		
106	265034-2	+ COUNTERSUNK HEAD SCREW M5X16		2	*	
106-1	265D49-3	+COUNTERSUNK HEAD SCREW M5X16	O	2		
107	266755-9	HEX.SOCKET HEAD BOLT M10X20		1		
108	941051-3	FLAT WASHER 4		2		
109	266020-6	TAPPING SCREW 4X12		2		
110	418104-8	LENS		1		
111	419378-4	BLOCK B		1		
112	911003-8	PAN HEAD SCREW M3X6		2		
113	231664-1	TORSION SPRING 9		1		
114	266318-1	H.S.SET SCREW(FLAT POINT)M4X6		1		
115	266306-8	SHOULDER SCREW M5		1		
116	419379-2	BLOCK C		1		
117	233471-8	COMPRESSION SPRING 6		1		
118	638651-5	LASER CIRCUIT COMPLETE		1		

119	231664-1	TORSION SPRING 9		1		
120	266318-1	H.S.SET SCREW(FLAT POINT)M4X6		1		
121	266229-0	H.S.SET SCREW(CUP POINT)M5X8		2		
122	451195-6	LASER COVER		1	*	
122-1	458903-6	LASER COVER	<	1		
123	266034-5	TAPPING SCREW CT 4X16		2		
124	457664-5	PROTECTOR		1		
125	265753-0	THUMB SCREW M5X24		1		
126	253807-5	FLAT WASHER 5		1	*	
126-1	267066-5	FLAT WASHER 5	X	1		
127	424193-3	ROLLER		2		
128	266385-6	TAPPING SCREW 4X14		3		
129	458144-4	SAFETY COVER B		1		
130	266385-6	TAPPING SCREW 4X14		1		
131	347213-5	CENTER PLATE		1		
132	231634-0	TORSION SPRING 45		1		
133	424190-9	CUSHION		1		
134	347214-3	CENTER COVER		1		
135	265985-9	HEX.SOCKET HEAD BOLT M6		1		
136	253932-2	WAVE WASHER 10		1		
137	210168-6	BALL BEARING 6805DDW		1		
138	458437-9	SAFETY COVER A		1		
139	126792-4	DUST NOZZLE ASS'Y		1	*	
D10		INC. 140-144,147				
139-1	127274-9	DUST NOZZLE ASSEMBLY	S	1	*	
C10	458939-5	BUTTON A	S	1	*	
C20	232485-4	COMPRESSION SPRING 5	S	1	*	
D10		INC. 140-144,147				
139-2	127274-9	DUST NOZZLE ASSEMBLY	O	1		
C10	458939-5	BUTTON A		1		
C20	232485-4	COMPRESSION SPRING 5		1		
D10		INC. 141-144,147				
140	265995-6	TAPPING SCREW 4X18		3	*	
141	183H71-1	HOSE CONNECTOR SET		1	*	
141-1	413J67-3	HOSE CONNECTOR	S	1		
142	245048-7	HOSE 28-0.5		1		
143	457672-6	SLEEVE		1		
144	457673-4	STOPPER		1		
147	458198-1	HOSE JOINT		1	*	
147-1	459249-3	HOSE JOINT	S	1		
149	266034-5	TAPPING SCREW CT 4X16		3		
150	458149-4	SLEEVE 17		2		
152	233542-1	TORSION SPRING 40		1		
153	251267-5	+ PAN HEAD SCREW M6		1		
154	253948-7	WAVE WASHER 8		1		
155	253835-0	FLAT WASHER 8		1		
156	347221-6	STOPPER ARM		1		
157	347222-4	FRONT ARM PLATE		1		
158	262076-7	FELT RING 30		2		
159	326994-4	ROD 16		1		
160	271437-0	KNOB 22		1		

161	961013-5	STOP RING E-7		1		
162	266034-5	TAPPING SCREW CT 4X16		4		
163	144912-8	FRONT ARM COMPLETE		1		
C10	263005-3	RUBBER PIN 6		2		
164	233151-6	COMPRESSION SPRING 4		1		
165	256364-2	PIN 4		1		
166	232384-0	COMPRESSION SPRING 10		1		
167	326977-4	STOPPER PIN		1		
168	458145-2	ARM COVER		1		
169	144658-6	HOLDER COMPLETE		1		
C10	812X89-8	INDICATION LABEL		1		
170	265008-3	+ FLAT HEAD SCREW M5		1		
171	222191-9	PULLEY 17-19.3		1		
172	210167-8	BALL BEARING 6900LLB		1		
173	267804-5	WAVE WASHER 15		1		
174	326975-8	SHAFT		1		
175	210167-8	BALL BEARING 6900LLB		1		
176	687042-7	STRAIN RELIEF		1		
177	913416-9	SET SCREW M8X12		2		
178	416536-3	WRENCH HOLDER		1		
179	266026-4	TAPPING SCREW BIND CT 4X12		1		
180	951107-4	SPRING PIN 4-14		2		
181	273016-0	GRIP 50 B		1		
182	266440-4	HEX SOCKET HEAD BOLT M5X40		1	*	
182-1	265B37-8	H. S. H. BOLT M5X40 WITH WM	O	1	*	
182-2	265D57-4	H. S. H. BOLT M5X40 WITH WM	O	1		
183	251545-3	SHOULDER HEX. BOLT M6		1		
184	144930-6	STOP LEVER COMPLETE		1		
C10	812X87-2	INDICATION LABEL		1		
185	253948-7	WAVE WASHER 8		1		
186	253835-0	FLAT WASHER 8		1		
187	251267-5	+ PAN HEAD SCREW M6		1		
188	327054-5	PIN 9-418		1		
189	253194-2	FLAT WASHER 5		1		
190	257436-6	SLEEVE 5		1		
191	253165-9	FLAT WASHER 8		1		
192	457666-1	SLEEVE 20		1		
193	326977-4	STOPPER PIN		1		
194	222192-7	PULLEY 17-87.8		1		
195	327053-7	HEX. NUT M10-19		1		
196	225102-3	SYNCHRO BELT 15-810		1		
197	232384-0	COMPRESSION SPRING 10		1		
198	253388-9	FLAT WASHER 10		1		
199	252244-0	HEX.LOCK NUT M10-17		1		
200	253024-7	FLAT WASHER 10		1		
201	961057-5	RETAINING RING S-17		1		
202	216413-7	THRUST NEEDLE CAGE 1024		1		
203	253024-7	FLAT WASHER 10		1		
204	216413-7	THRUST NEEDLE CAGE 1024		1		
205	961013-5	STOP RING E-7		1		
206	271437-0	KNOB 22		1		
207	253024-7	FLAT WASHER 10		1		

208	144911-0	ARM COMPLETE		1		
C10	812X88-0	INDICATION LABEL		1		
209	251547-9	HEX.SOCKET HEAD BOLT M8X25		1		
210	458151-7	INDICATION PLATE R		1		
211	266026-4	TAPPING SCREW BIND CT 4X12		1		
212	266034-5	TAPPING SCREW CT 4X16		4		
213	415208-7	RELEASE BUTTON		1		
214	233031-6	COMPRESSION SPRING 12		1		
215	457654-8	DUST GUIDE HOLDER		1		
216	458150-9	INDICATION PLATE L		1		
217	266026-4	TAPPING SCREW BIND CT 4X12		1		
218	253389-7	WASHER 94		1		
219	422229-2	DUST GUIDE		1		
220	319593-9	STOPPER		1		
221	231646-3	TORSION SPRING 14		1		
222	253744-3	FLAT WASHER 12		1		
223	961052-5	RETAINING RING (EXT) S-12		1		
224	266026-4	TAPPING SCREW BIND CT 4X12		2		
225	457668-7	HOLDER		2		
226	144925-9	UPPER FENCE R COMPLETE		1		
C10	810503-4	CAUTION LABEL		1		
227	144922-5	UPPER FENCE L COMPLETE		1		
C10	810503-4	CAUTION LABEL		1		
228	922458-2	H.S.H.BOLT M8X35 WITH WR		4		
229	251887-5	SCREW M6X10		2		
230	251561-5	H.SOCKET HEAD SET SCREW M10 X12		2		
231	319565-4	GUIDE FENCE		1		
232	266026-4	TAPPING SCREW BIND CT 4X12		6		
233	451201-7	KERF BOARD		2		
235	265442-7	HEX. BOLT M8X40		1		
236	253852-0	FLAT WASHER 8		2		
237	216413-7	THRUST NEEDLE CAGE 1024		1		
238	266385-6	TAPPING SCREW 4X14		2		
239	458147-8	BEVEL SCALE PLATE		1		
240	251547-9	HEX.SOCKET HEAD BOLT M8X25		1		
241	251547-9	HEX.SOCKET HEAD BOLT M8X25		1		
243	813L22-1	CAUTION LABEL		2		
244	266026-4	TAPPING SCREW BIND CT 4X12		2		
245	457702-3	INDICATION PLATE		2		
246	326970-8	LOCK PIN 8		1		
247	234122-6	COMPRESSION SPRING 6		1		
249	457657-2	LEVER 25		1		
250	253804-1	FLAT WASHER 6		1		
251	961018-5	STOP RING E-5		2		
252	144928-3	TURN BASE COMPLETE		1		
D10		INC. 243,253				
253	812X85-6	CAUTION LABEL		1		
254	326973-2	ROD 12		1		
255	286039-9	CAP		2		
256	326976-6	CENTER SHAFT		1		
257	911113-1	PAN HEAD SCREW M4X10 WITH		2		

		WR				
258	231325-3	COMPRESSION SPRING 6		1		
259	310803-7	TURN STOPPER		1		
260	347217-7	LEVER PLATE		1		
261	256186-0	PIN 5		1		
262	911231-5	PAN HEAD SCREW M5X20		2		
263	347219-3	STOPPER HOLDER		1		
264	327052-9	LOCK ROD		1		
265	457656-4	LOCK LEVER		1		
266	327051-1	LOCK PIN 6		1		
267	256158-5	PIN 3		1		
268	231325-3	COMPRESSION SPRING 6		1		
269	347237-1	CAM PLATE		1		
270	319592-1	PIN HOLDER		1		
271	922231-0	HEX. SOCKET HEAD BOLT M5X20		2		
272	347216-9	LOCK PLATE		1		
274	326972-4	ROD 6		1		
275	961011-9	STOP RING E-4		1		
276	257425-1	RING 5		2		
277	253194-2	FLAT WASHER 5		2		
278	922231-0	HEX. SOCKET HEAD BOLT M5X20		2		
279	911113-1	PAN HEAD SCREW M4X10 WITH WR		1		
280	144656-0	LEVER 25 COMPLETE		1		
C10	263005-3	RUBBER PIN 6		1		
281	911008-8	PAN HEAD SCREW M3X8		1		
282	345272-3	LOCK LEVER PLATE		1		
283	273015-2	GRIP 50A		1		
284	266026-4	TAPPING SCREW BIND CT 4X12		2		
285	457655-6	SLIDE PLATE		1		
286	347223-2	MITER SCALE PLATE		1	*	
286-1	347412-9	MITER SCALE PLATE	<	1		
287	251546-1	+ PAN HEAD SCREW M5		4		
288	347218-5	MITER LOCK PLATE		1		
289	265786-5	SCREW M5X16		2		
290	310891-4	BASE		1	*	
290-1	310891-4	BASE	O	1		
291	421845-7	FOOT		4		
292	267195-4	FLAT WASHER 4		4		
293	266026-4	TAPPING SCREW BIND CT 4X12		4		
294	327095-1	HOLDER 200		2	*	
295	961015-1	STOP RING E-9		2		
296	266026-4	TAPPING SCREW BIND CT 4X12		1		
297	266318-1	H.S.SET SCREW(FLAT POINT)M4X 6		1		
299	232249-6	LEAF SPRING		1		
300	266026-4	TAPPING SCREW BIND CT 4X12		1		
301	688131-1	LINE FILTER		1	*	
301-1	688131-1	LINE FILTER	O	1		
302	327145-2	HOLDER 90		1		
303	266213-5	H.S.SET SCREW(FLAT POINT)M5X 12		1		

304	232249-6	LEAF SPRING		1		
305	319815-7	SUB BASE	S	2		
306	327315-3	ROD 12	S	4		
307	911113-1	PAN HEAD SCREW M4X10 WITH WR	S	4		
308	347509-4	SUB FENCE	S	2		
309	922443-5	H.S.H.BOLT M8X25 WITH WR	S	4		
A01	122852-0	DUST BAG ASS'Y		1		
C10	410602-8	FASTENER		1		
A02	126617-2	WISE ASS'Y		1		
D10		COMPO-PARTS				
A03	762001-3	TRIANGULAR RULE		1		
A04	B-04606	TCT SAW BLADE 305X30X70T		1	*	
A04-1	B-67256	TCT BLADE305X60T WOOD EFFIC UT	X	1		
A05	781044-6	HEX. WRENCH 6		1		
A06	783208-8	HEX. WRENCH 2.5		1		
F02	192628-9	CROWN MOLDING STOPPER (L.R)		1		
F04	191C01-8	SUB BASE ASSEMBLY SET		1		
F06	198687-1	STAND SET		1		
F07	198688-9	STAND SET		1		

Please state Parts No. when your order.

Print Date 03/01/2024