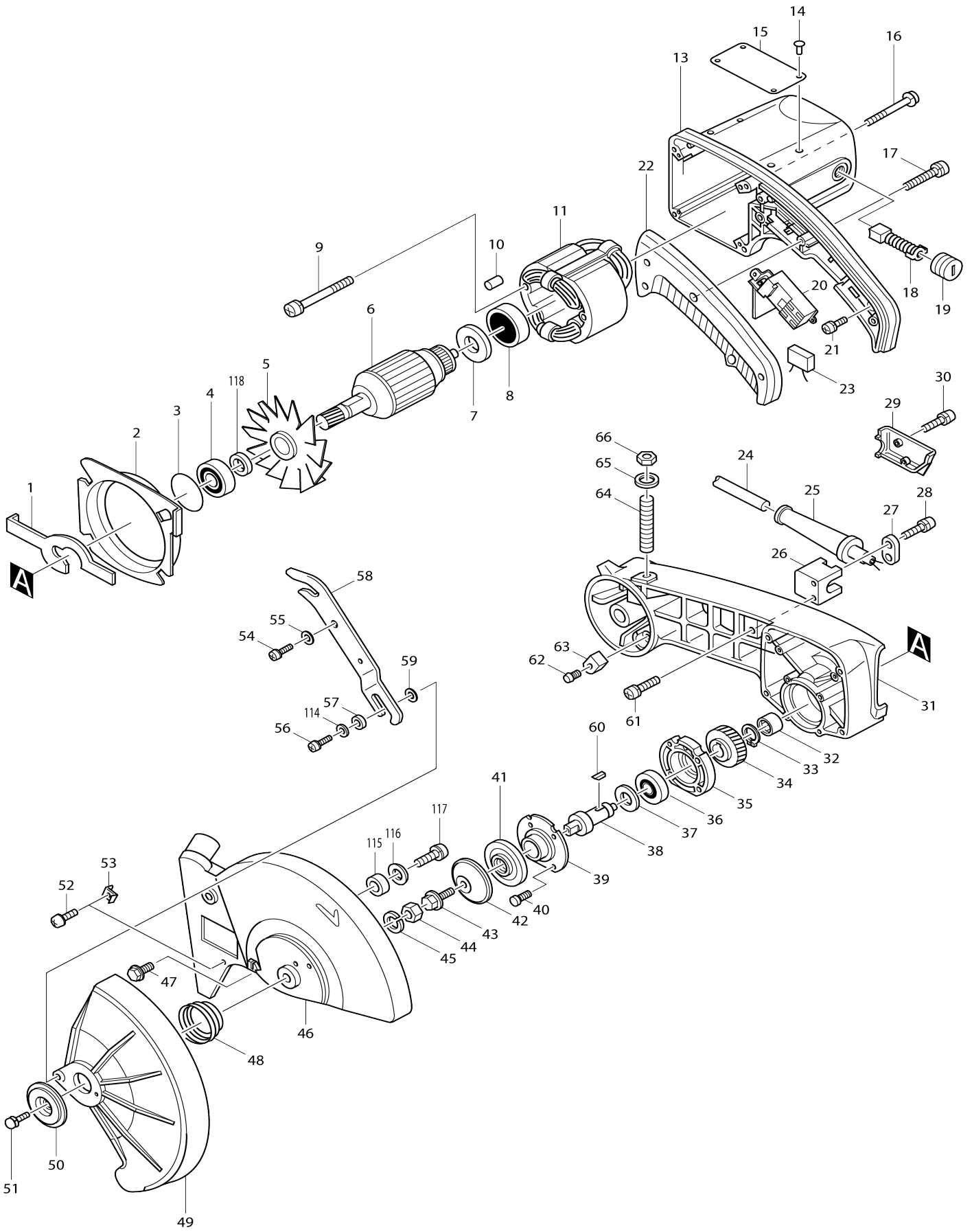
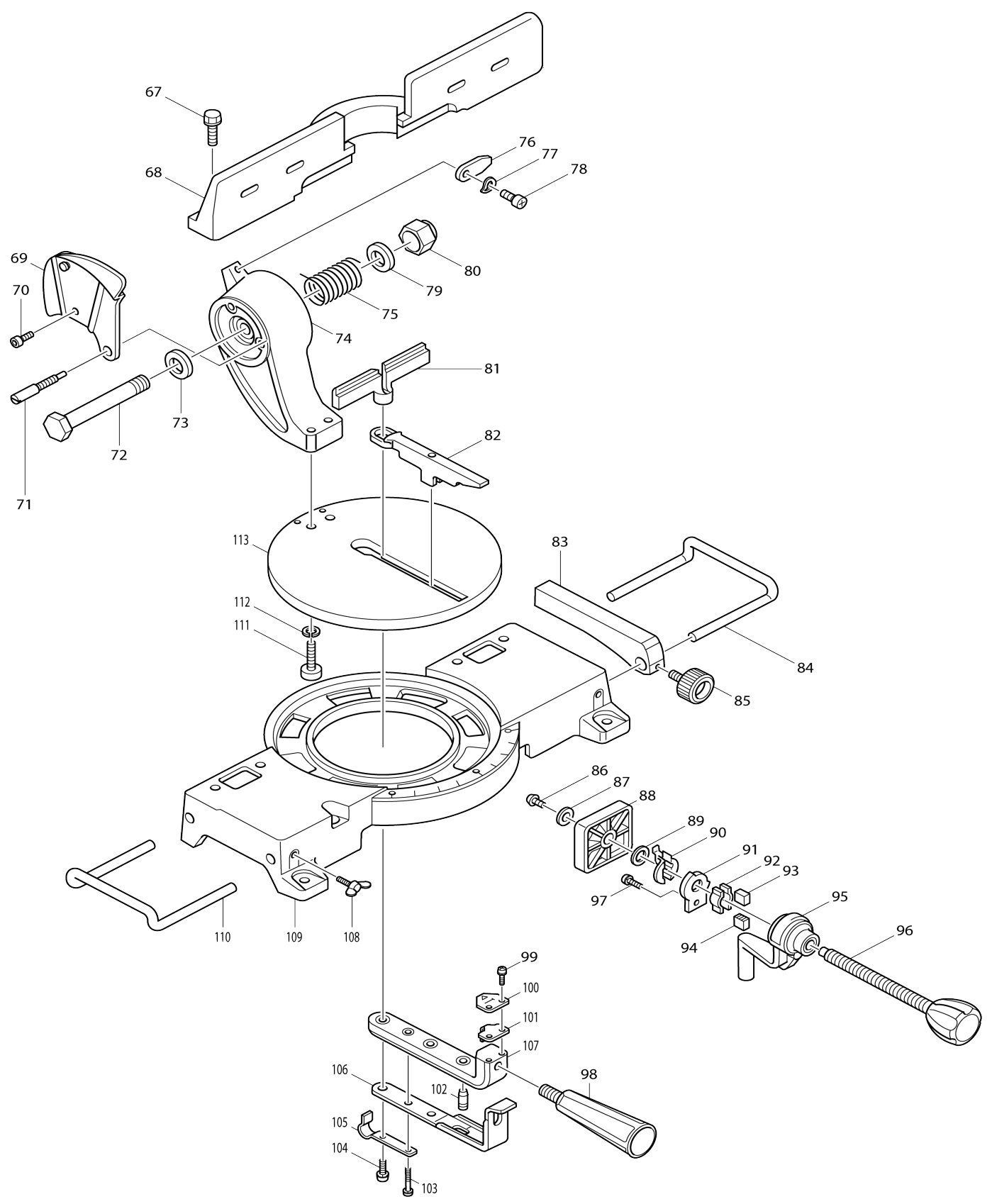


Model No.LS1440 MITER SAW 355MM



Model No.LS1440 MITER SAW 355MM



Model No.LS1440 MITER SAW 355MM

Item No.	Parts No.	Description	Interchangability	Q'ty	New/Old	Note1	Note2
001	163100-8	SHAFT LOCK		1			
002	411466-3	BAFFLE PLATE		1			
003	213459-4	O RING 32		1			
004-1	211201-7	BALL BEARING 6002LLB		1			
005-1	241514-2	FAN 92		1			
006C1	514988-3	ARMATURE ASS'Y 220V		1	*		
D10		INC. 5,7,8					
006C2	516728-5	ARMATURE ASS'Y 220V	X	1			
D10		INC. 5,7,8					
007	681623-9	INSULATION WASHER		1			
008	211068-3	BALL BEARING 6200LB		1			
009-1	911290-9	PAN HEAD SCREW M5X65		2			
010	263013-4	RUBBER PIN 4		1			
011C_	524778-6	FIELD ASS'Y 220V		1	*		
C10	654020-2	RING TERMINAL		2	*		
C20	654502-4	CONNECTOR P-2		2	*		
011C1	526008-1	FIELD ASS'Y 220V	X	1	*		
C10	654020-2	RING TERMINAL		2	*		
C20	654502-4	CONNECTOR P-2		2	*		
011C2	526008-1	FIELD ASS'Y 220V	O	1			
C10	654020-2	RING TERMINAL		2			
C20	654502-4	CONNECTOR P-2		2			
013E_	159819-5	MOTOR HOUSING COMPLETE		1	*		
C10	643653-8	BRUSH HOLDER 6.5-13.5		2	*		
C11	643660-1	BRUSH HOLDER 6.5-13.5	O	2	*		
C20	810811-3	CAUTION LABEL		1	*		
D10		INC. 10					
013E1	152940-9	MOTOR HOUSING COMPLETE	X	1			
C10	643660-1	BRUSH HOLDER 6.5-13.5		2			
C20	810811-3	CAUTION LABEL		1			
D10		INC. 10					
014	953106-2	RIVET 0-5		4	*		
015	856017-9	NAME PLATE LS1440		1	*		
015-1	854L85-8	LS1440 NAME PLATE	<	1			
016	251335-4	+ PAN HEAD SCREW M5X80		4			
017	911158-9	PAN HEAD SCREW M4X30		4			
018B_	181044-0	CARBON BRUSH CB-153		1			
019	643650-4	BRUSH HOLDER CAP 6.5-13.5		2	*		
019-1	643650-4	BRUSH HOLDER CAP 6.5-13.5	O	2			
020	651135-6	SWITCH SGE220RD-1		1	*		
020-1	651153-4	SWITCH SGE220RD-1	X	1			
021	911101-8	PAN HEAD SCREW M4X6		1			
022	410836-3	HANDLE COVER		1			
023-1	645105-5	NOISE SUPPRESSOR		1			
024T_	666066-6	POWER SUPPLY CORD 1.0-2-2.5		1			
025B_	682540-6	CORD GUARD 9.3-90		1	*		
025B1	682505-8	CORD GUARD 10-90	O	1			

026A_	154261-5	CLAMP BASE COMPLETE		1		
027C_	687031-2	STRAIN RELIEF		1		
028	911133-5	PAN HEAD SCREW M4X18		2		
029	411467-1	CLAMP COVER		1		
030	911128-8	P.H.SCREW M4X16 WITH WR		2		
031A_	157862-8	GEAR HOUSING		1	*	
C10	213459-4	O RING 32		1	*	
C20	951157-9	SPRING PIN 5-16		2	*	
031A1	157862-8	GEAR HOUSING	X	1	*	
C10	213459-4	O RING 32		1	*	
C20	951157-9	SPRING PIN 5-16		2	*	
031A2	141615-5	GEAR HOUSING COMPLETE	S	1		
C10	213459-4	O RING 32		1		
C20	951157-9	SPRING PIN 5-16		2		
032	212113-7	NEEDLE BEARING 1212		1		
033	961060-6	RETAINING RING S-20		1		
034-1	226411-3	HELICAL GEAR 41		1		
035	315055-5	BEARING BOX		1		
036	211306-3	BALL BEARING 6204LLB		1		
037	253327-9	THIN WASHER 20		1		
038	321729-8	SPINDLE		1	*	
038-1	321730-3	SPINDLE	S	1		
039	285649-9	BEARING RETAINER 72		1		
040	912231-8	COUNTERSUNK HEAD SCREW M5 X20		4		
041A_	224250-5	INNER FLANGE 90		1		
042A_	224249-0	OUTER FLANGE 90		1		
043	251644-1	HEX. FLANGE HEAD BOLT M8X20		1	*	
043-1	251637-8	HEX. BOLT M8X20	S	1		
044	931302-2	HEX. NUT M6		1		
045	942151-2	SPRING WASHER 6		1		
046D_	150570-0	BLADE CASE COMPLETE		1	*	
C10	810813-9	CAUTION LABEL		1	*	
046D 1	154922-7	BLADE CASE COMPLETE	<	1	*	
C10	810813-9	CAUTION LABEL		1	*	
046D 2	154922-7	BLADE CASE COMPLETE	<	1		
C10	810813-9	CAUTION LABEL		1		
C20	816847-0	OPERATIONAL INDICATION LABEL		1		
047	265324-3	HEX. FLANGE HEAD BOLT M8X12		1		
048	231939-8	SPRING 30		1		
049	414084-6	SAFETY COVER		1	*	
049-1	419482-9	SAFETY COVER	<	1		
050	343358-7	CENTER PLATE		1		
051	923311-5	CAP SQUARE NECK BOLT M6X12		1		
052	911206-4	PAN HEAD SCREW M5X10		2		
053	343492-3	BLADE STOPPER		2		
054	251333-8	+ PAN HEAD SCREW M8		1		
055	253878-2	FLAT WASHER 10		1		
056	251339-6	+ PAN HD. SCREW M8		1		
057	257146-5	RING 10		1		

058-1	343792-1	GUIDE ARM		1		
059	253731-2	FLAT WASHER 8		1		
060	254203-0	KEY 4		1		
061	911121-2	PAN HEAD SCREW M4X14		2		
062-1	251399-8	+ PAN HEAD SCREW M5		1		
063	411479-4	CUSHION		1		
064	251959-6	-SCREW (FLAT POINT)M10X80		1		
065	941252-3	FLAT WASHER 10		1		
066	931501-6	HEX. NUT M10		1		
067	921551-9	HEX. BOLT M10X30		4		
068	316030-4	GUIDE FENCE		1	*	
068-1	318866-7	GUIDE RULE	<	1		
069	163279-5	SUPPORTER		1		
070	922331-6	HEX. SOCKET HEAD BOLT M6X20		1		
071	322144-9	SET SCREW M10		1		
072	251698-8	HEX. BOLT M16		1		
073	253771-0	FLAT WASHER 16		1		
074	154358-0	ARM COMPLETE		1	*	
C11	256738-7	PIN 5		2	*	
074-1	154358-0	ARM COMPLETE	X	1	*	
C11	256738-7	PIN 5		1	*	
074-2	154929-3	ARM COMPLETE	<	1		
C11	256738-7	PIN 5		1		
075	231533-6	TORSION SPRING 33		1		
076	341926-0	HANDLE LATCH		1		
077	253948-7	WAVE WASHER 8		1		
078	251298-4	+ PAN HEAD SCREW M8		1		
079	253771-0	FLAT WASHER 16		1		
080	252044-8	HEX. NUT M16-24		1		
081	414092-7	FENCE PLATE		1	*	
081-1	419483-7	FENCE PLATE	<	1		
082	410849-4	KERF BOARD		1	*	
082-1	453636-8	KERF BOARD	<	1		
083	312511-6	SET PLATE		1		
084	322027-3	HOLDER		1		
085	251804-5	SCREW M6X13		1		
086	911317-5	PAN HEAD SCREW M6X14		1		
087	253047-5	FLAT WASHER 6		1		
088	315891-9	WISE PLATE		1		
089	253744-3	FLAT WASHER 12		1		
090	341912-1	NUT HOLDER		1		
091	342967-9	SET PLATE		1		
092	341911-3	PROTECTOR		2		
093	321490-7	RELEASE NUT R		1		
094	321491-5	RELEASE NUT L		1		
095-1	151201-4	WISE ARM COMPLETE	O	1		
C10	816182-6	INDICATION LABEL		1		
096	271275-0	KNOB 45		1		
097	911216-1	PAN HEAD SCREW M5X14		1		
098	273436-8	GRIP 37		1		
099	911108-4	PAN HEAD SCREW M4X8		2		
100	816173-7	INDICATION LABEL		1		

101	342823-3	PLATE		1		
102	321981-8	LATCH PIN		1		
103	911256-9	PAN HEAD SCREW M5X35		1		
104	921456-3	HEX. BOLT M8X35		2		
105	232093-1	LEAF SPRING		1		
106	343359-5	LATCH SPRING		1		
107	311795-3	TURNING STAY		1		
108-1	924216-2	WING BOLT M5X15		2	*	
108-2	911223-4	PAN HEAD SCREW M5X16	<	2		
109C_	150569-5	BASE COMPLETE		1		
C10	810812-1	CAUTION LABEL		1		
C20	953206-8	RIVET 2-5		3		
C30	816189-2	SCALE LABEL		1		
C40	813L22-1	CAUTION LABEL		2		
110	322027-3	HOLDER		1		
111	922562-7	HEX. SOCKET HEAD BOLT M10X40		2		
112	942251-8	SPRING WASHER 10		2		
113	311796-1	TURN BASE		1		
114	253878-2	FLAT WASHER 10		1		
115	262044-0	RUBBER RING 12		1		
116	253011-6	FLAT WASHER 6		1		
117	911216-1	PAN HEAD SCREW M5X14		1		
118	267710-4	WASHER 15		1		
400	782212-4	SOCKET WRENCH 13		1		
402	122330-0	DUST BAG ASS'Y		1		
D10		INC. 403				
403	410602-8	FASTENER		1		
500-2	122563-7	VICE ASS'Y	O	1		
D10		INC. 86-97				
900	321140-4	TUBE HOLDER		1		
901	911106-8	PAN HEAD SCREW M4X8		1		
908	164836-2	LOCK LEVER		1		
909	231297-2	COMPRESSION SPRING 9		1		
910	165129-0	LOCK PLATE		1		
911	251362-1	+ BINDING HEAD SCREW M6		1		
912	646071-9	CHOKE COIL		1		
913	416437-5	PROTECTOR R		1		
914	416438-3	PROTECTOR L		1		
915	345694-7	GUARD		1		
916	345196-3	SAFETY COVER		1		
917	266192-7	TAPPING SCREW 4X14		4		
918	266192-7	TAPPING SCREW 4X14		1		
919	911108-4	PAN HEAD SCREW M4X8		1		
920	266225-8	H.S.SET SCREW(FLAT POINT)M6X8		1		
921	251896-4	SCREW M5X20		1		
922	122540-9	VICE ASS'Y		1		
B01	196041-3	VICE SET		1		
D10		INC. 921,922				

Please state Parts No. when your order.

Print Date 10/23/2023