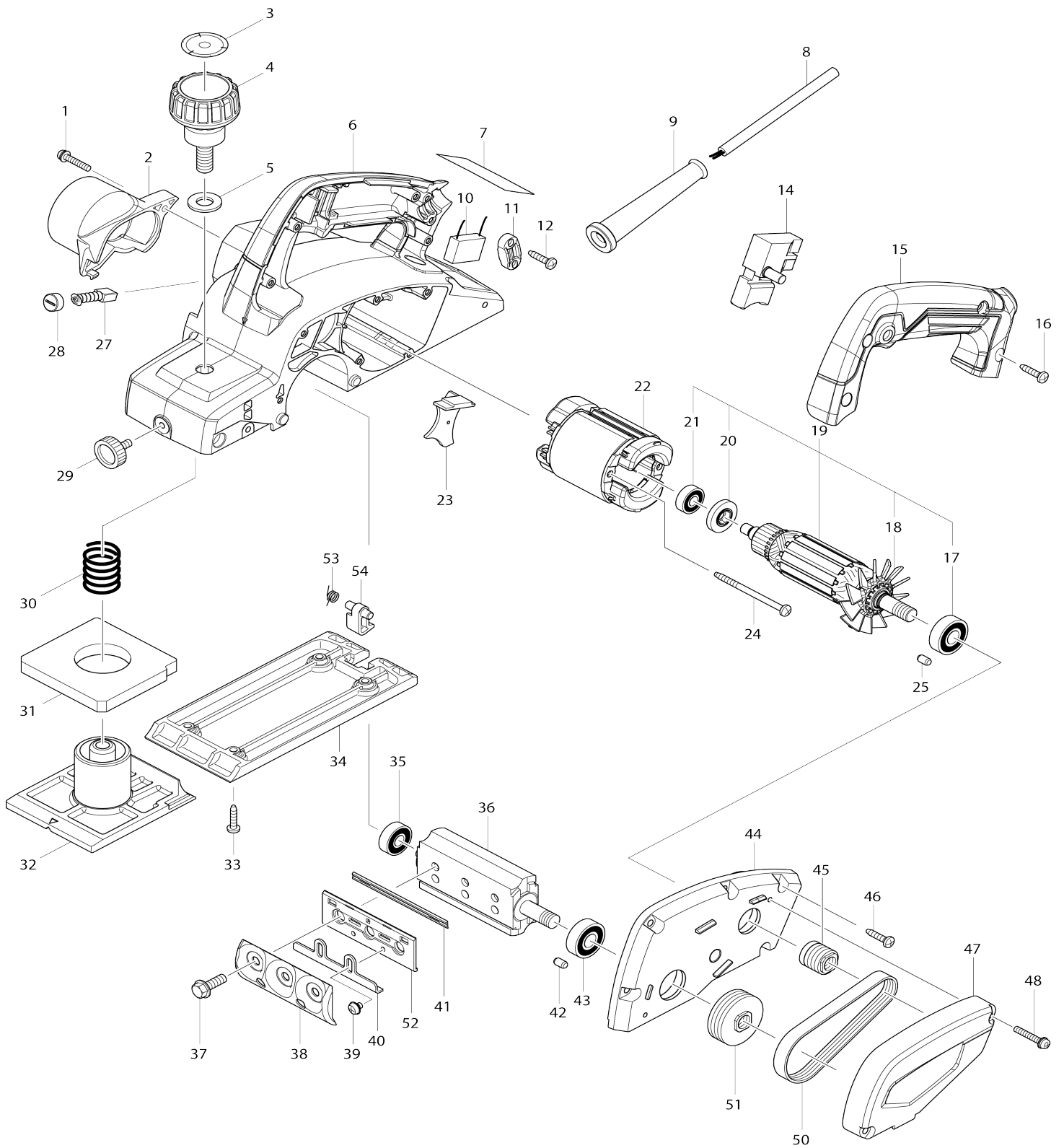


Model No.M1901 82MM PLANER



Model No.M1901 82MM PLANER

Item No.	Parts No.	Description	Interchangability	Q'ty	New/Old	Note1	Note2
001	265147-9	+ PAN HEAD SCREW M4X22		1			
002	451329-1	NOZZLE		1			
003	893490-2	SCALE LABEL		1			
004	272408-0	KNOB 44		1			
005	267278-0	FLAT WASHER 10		1			
006	142362-1	MAIN FRAME COMPLETE		1			
C10	643858-0	BRUSH HOLDER 6X9		2	*		
C11	643509-5	BRUSH HOLDER 6X9	O	2	*		
007	851Y45-9	M1901 NAME PLATE		1			
008	665383-1	POWER SUPPLY CORD 1.0-2-2.0		1	*		
008-1	695556-2	POWER SUPPLY CORD 1.0-2-2.0	O	1	*		
008-2	665383-1	POWER SUPPLY CORD 1.0-2-2.0	O	1			
009	682569-2	CORD GUARD 8-85		1			
010	645190-8	NOISE SUPPRESSOR		1			
011	687124-5	STRAIN RELIEF		1			
012	266326-2	TAPPING SCREW 4X18		2			
014	650216-3	SWITCH FA1-6/1D-1		1			
015	452811-3	HANDLE COVER		1			
016	266326-2	TAPPING SCREW 4X18		4			
017	210067-2	BALL BEARING 6000ZZ		1	*		
017-1	210199-5	BALL BEARING 6000ZZ	O	1			
018	240068-6	FAN 52		1			
019	510208-3	ARMATURE ASS'Y 240V		1	*		
D10		INC. 17,18,20,21					
019-1	510418-2	ARMATURE ASS'Y 240V	O	1			
D10		INC. 17,18,20,21					
020	681672-6	INSULATION WASHER		1			
021	210062-2	BALL BEARING 607ZZ		1			
022	593589-0	FIELD ASS'Y 240V		1			
C10	654221-2	RING TERMINAL		2	*		
C11	654450-7	RING TERMINAL	O	2			
C20	654501-6	CONNECTOR P-1.25		2	*		
C21	654485-8	PARALLEL SPLICE	>	2			
023	452812-1	ASSIST FAN GUIDE		1			
024	266334-3	TAPPING SCREW 4X60		2			
025	263002-9	RUBBER PIN 4		1			
027	191940-4	CARBON BRUSH CB-411		1			
028	643987-9	BRUSH HOLDER CAP 5-8		2			
029	265757-2	THUMB SCREW M5X10		1			
030	233395-8	COMPRESSION SPRING 18		1			
031	421858-8	RUBBER PACKING		1			
032	318780-7	FRONT BASE		1			
033	266326-2	TAPPING SCREW 4X18		4			
034	318499-8	BASE		1			
035	210029-0	BALL BEARING 608ZZ		1			
036	161140-0	DRUM		1			
037	265512-2	FLANGE HEX.BOLT M6X17		6			

038	187679-5	DRUM PLATE SET		1		
039	265132-2	+ PAN HEAD SCREW M4X5		4		
040	345644-2	ADJUST PLATE		1		
041	A-82921	T.C.T. MINI PLANER BLADE		1		
042	263002-9	RUBBER PIN 4		1		
043	210067-2	BALL BEARING 6000ZZ		1	*	
043-1	210199-5	BALL BEARING 6000ZZ	O	1		
044	140944-3	BRACKET COMPLETE		1		
D10		INC. 25,42				
045	222163-4	V PULLEY 4-20L		1		
046	266326-2	TAPPING SCREW 4X18		6		
047	456552-3	BELT COVER		1		
048	265101-3	PAN HEAD SCREW M4X25		2		
050	225092-0	POLY V-BELT 4-241		1		
051	222164-2	V PULLEY 4-37		1		
052	343433-9	SET PLATE F/MINI BLADE		2		
053	231698-4	TORSION SPRING 7		1		
054	451392-4	FOOT		1	*	
054-1	413L64-1	FOOT	<	1		
A01	165581-2	GUIDE RULE		1		
A02	122695-0	BLADE GAUGE ASS'Y		1		
C10	265131-4	PAN HEAD SCREW M5X18		2		
C20	418465-6	GAUGE PLATE		1		
A03	782229-7	BOX WRENCH 9		1		

Please state Parts No. when your order.

Print Date 10/23/2023