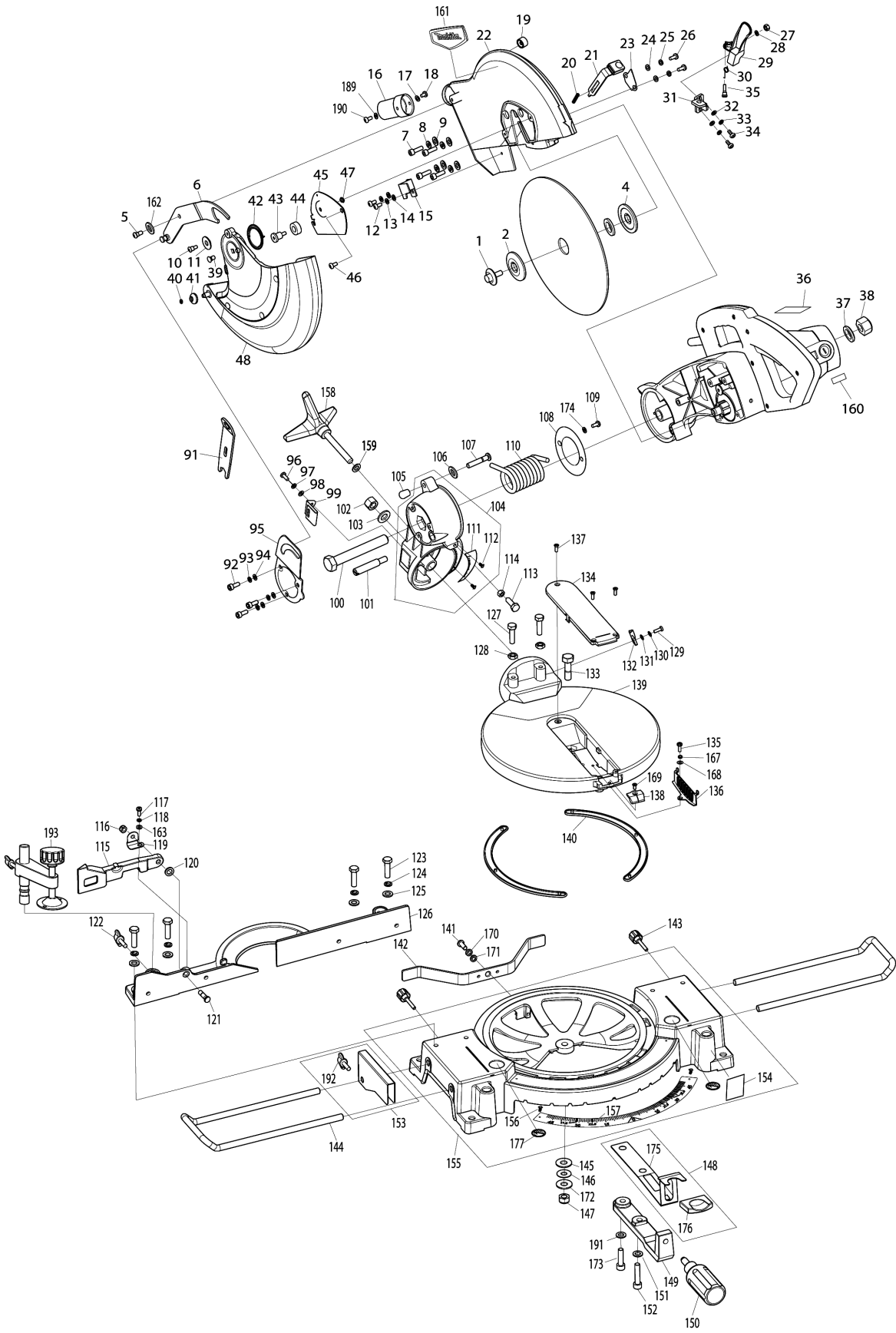
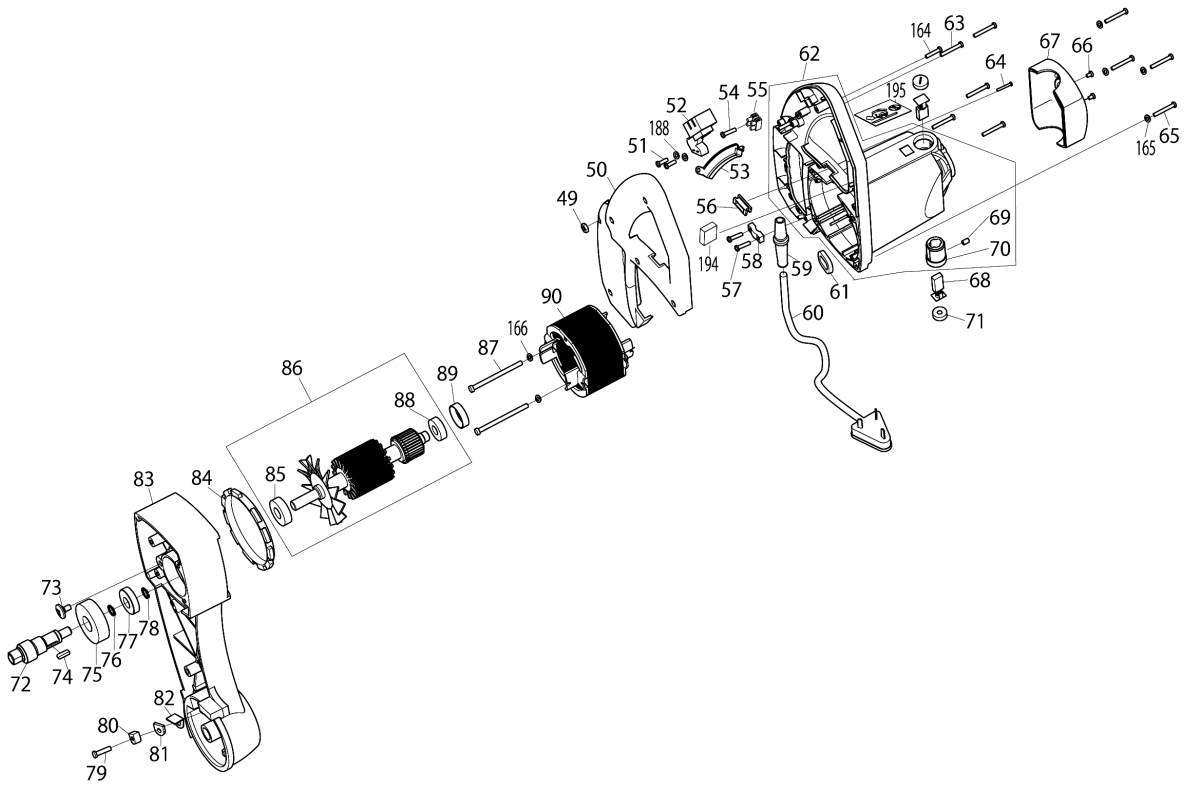


# Model No.M2300 255MM COMPOUND MITER SAW



Model No.M2300 255MM COMPOUND MITER SAW



Model No.M2300 255MM COMPOUND MITER SAW

| Item  | Parts No.  | Description                      | I/C | Qty | New/Old | Opt. 1 | Opt. 2 | Note |
|-------|------------|----------------------------------|-----|-----|---------|--------|--------|------|
| 001   | JM23000054 | BLADE LOCK BOLT<br>M8X20(LH)     |     | 1   | *       |        |        |      |
| 001-1 | JM23000054 | BLADE LOCK BOLT<br>M8X20(LH)     | O   | 1   |         |        |        |      |
| 002   | JM23000065 | FLANGE                           |     | 1   |         |        |        |      |
| 004   | JM23000065 | FLANGE                           |     | 1   |         |        |        |      |
| 005   | JM23000057 | STEPPED BOLT M6                  |     | 1   |         |        |        |      |
| 006   | JM23000058 | LINK COMP.                       |     | 1   |         |        |        |      |
| 007   | JM23000052 | HEX. SOCKET HEAD BOLT M6<br>X 20 |     | 4   |         |        |        |      |
| 008   | JM23000040 | SPRING WASHER6                   |     | 4   |         |        |        |      |
| 009   | JM23000041 | FLAT WASHER6                     |     | 4   |         |        |        |      |
| 010   | JM23000055 | STEPPED BOLT M5                  |     | 1   |         |        |        |      |
| 011   | JM23000056 | BUSH                             |     | 1   |         |        |        |      |
| 012   | JM23000032 | PAN HEAD SCREW M5 X 10           |     | 2   | *       |        |        |      |
| 012-1 | JM23000069 | PAN HEAD SCREW M5X12             | X   | 2   |         |        |        |      |
| 013   | JM23000031 | SPRING WASHER5                   |     | 2   |         |        |        |      |
| 014   | JM23000030 | FLAT WASHER5                     |     | 2   |         |        |        |      |
| 015   | JM23000053 | PLATE                            |     | 1   |         |        |        |      |
| 016   | JM23000059 | DUST NOZZLE                      |     | 1   | *       |        |        |      |
| 016-1 | JM23000178 | DUST NOZZLE 38                   | X   | 1   | *       |        |        |      |
| 016-2 | JM23000059 | DUST NOZZLE                      | O   | 1   | *       |        |        |      |
| 016-3 | JM23000178 | DUST NOZZLE 38                   | O   | 1   |         |        |        |      |
| 017   | JM23000030 | FLAT WASHER5                     |     | 1   | *       |        |        |      |
| 017-1 | JM23000136 | FLAT WASHER4                     | X   | 1   |         |        |        |      |
| 018   | JM23000060 | PAN HEAD SCREW M4                |     | 1   | *       |        |        |      |
| 018-1 | JM23000138 | PAN HEAD SCREW M4X10             | X   | 1   |         |        |        |      |
| 019   | JM23000063 | LIMIT RING                       |     | 1   |         |        |        |      |
| 020   | JM23000066 | LOCK SPRING                      |     | 1   |         |        |        |      |
| 021   | JM23000067 | SHAFT LOCK                       |     | 1   |         |        |        |      |
| 022   | JM23000061 | BLADE CASE COMP                  |     | 1   | *       |        |        |      |
| D10   |            | INC. 22                          |     |     | *       |        |        |      |
| 022-1 | JM00000065 | BLADE CASE COMPLETE              | X   | 1   |         |        |        |      |
| 023   | JM23000068 | COVER                            |     | 1   |         |        |        |      |
| 024   | JM23000030 | FLAT WASHER5                     |     | 2   |         |        |        |      |
| 025   | JM23000031 | SPRING WASHER5                   |     | 2   |         |        |        |      |
| 026   | JM23000069 | PAN HEAD SCREW M5X12             |     | 2   |         |        |        |      |
| 027   | JM23000139 | ANTI-LOOSE NUTM5                 |     | 1   | *       |        |        |      |
| 028   | JM23000030 | FLAT WASHER5                     |     | 1   | *       |        |        |      |
| 029   | JM23000133 | LOCK LEVER                       |     | 1   | *       |        |        |      |
| 030   | JM23000134 | SPRING                           |     | 1   | *       |        |        |      |
| 031   | JM23000132 | BRACKET                          |     | 1   | *       |        |        |      |
| 032   | JM23000136 | FLAT WASHER4                     |     | 2   | *       |        |        |      |
| 033   | JM23000137 | SPRING WASHER4                   |     | 2   | *       |        |        |      |
| 034   | JM23000138 | PAN HEAD SCREW M4X10             |     | 2   | *       |        |        |      |
| 035   | JM23000135 | SCREW M5                         |     | 1   | *       |        |        |      |
| 036   | JM23000083 | NAME PLATE                       |     | 1   | *       |        |        |      |

Please order the parts with part number.

Print Date 3/1/2024

Model No.M2300 255MM COMPOUND MITER SAW

| Item  | Parts No.  | Description                 | I/C | Qty | New/Old | Opt. 1 | Opt. 2 | Note |
|-------|------------|-----------------------------|-----|-----|---------|--------|--------|------|
| 037   | JM23000070 | FLAT WASHER16               |     | 1   |         |        |        |      |
| 038   | JM23000071 | ANTI-LOOSE NUT16            |     | 1   |         |        |        |      |
| 039   | JM23000074 | SQUARE NECK BOLTM6X10       |     | 1   |         |        |        |      |
| 040   | JM23000076 | PUSH NUT                    |     | 1   |         |        |        |      |
| 041   | JM23000075 | WHEEL                       |     | 1   |         |        |        |      |
| 042   | JM23000073 | TORSION SPRING              |     | 1   |         |        |        |      |
| 043   | JM23000077 | STEPPED BOLT M6             |     | 1   |         |        |        |      |
| 044   | JM23000078 | RUBBER SLEEVE               |     | 1   |         |        |        |      |
| 045   | JM23000079 | FIX PLATE                   |     | 1   |         |        |        |      |
| 046   | JM23000081 | STEPPED BOLT M5             |     | 1   |         |        |        |      |
| 047   | JM23000080 | ANTI-LOOSE NUTM6            |     | 1   |         |        |        |      |
| 048   | JM23000072 | SAFETY COVER COMP.          |     | 1   |         |        |        |      |
| 049   | JM23000096 | HEX.NUTM4                   |     | 6   |         |        |        |      |
| 050   | JM23000097 | HANDLE COVER                |     | 1   | *       |        |        |      |
| 050-1 | JM00000028 | HANDLE COVER RED            | X   | 1   |         |        |        |      |
| 051   | JM23000113 | SELF TAPING SCREWST 3X8     |     | 2   | *       |        |        |      |
| 051-1 | JM23000106 | SELF TAPING SCREWST4.2X12   | X   | 2   |         |        |        |      |
| 052   | JM23000112 | SWITCHCB21-B                |     | 1   | *       |        |        |      |
| 052-1 | JM00000067 | SWITCH                      | X   | 1   |         |        |        |      |
| 053   | JM23000114 | SWITCH LEVER                |     | 1   | *       |        |        |      |
| 053-1 | JM00000272 | SWITCH LEVER                | X   | 1   |         |        |        |      |
| 054   | JM23000115 | SELF TAPING SCREWST4.2X12   |     | 1   | *       |        |        |      |
| 054-1 | JM00000211 | TAPING SCREW ST2.9X17       | X   | 1   |         |        |        |      |
| 055   | JM23000116 | TERMINAL BASE               |     | 1   |         |        |        |      |
| 056   | JM23000111 | CLAMP                       |     | 1   |         |        |        |      |
| 057   | JM23000106 | SELF TAPING SCREWST4.2X12   |     | 2   |         |        |        |      |
| 058   | JM23000107 | STRAIN RELIEF               |     | 1   |         |        |        |      |
| 059   | JM23000109 | CORD GUARD                  |     | 1   |         |        |        |      |
| 060   | JM23000156 | POWER SUPPLY CORD ASSY EURO |     | 1   |         |        |        |      |
| 061   | JM23000110 | CHOKE COIL                  |     | 1   | *       |        |        |      |
| 061-1 | JM23000110 | CHOKE COIL                  | O   | 1   |         |        |        |      |
| 062   | JM23000212 | MOTOR HOUSING COMP.         |     | 1   | *       |        |        |      |
| D10   |            | INC. 69,70,160              |     |     | *       |        |        |      |
| 062-1 | JM00000030 | MOTOR HOUSING COMPLETE RED  | X   | 1   |         |        |        |      |
| D10   |            | INC. 160                    |     |     |         |        |        |      |
| 063   | JM23000118 | PAN HEAD SCREW M4X30        |     | 5   |         |        |        |      |
| 064   | JM23000119 | SELFTAPPING SCREW           |     | 1   | *       |        |        |      |
| 064-1 | JM00000212 | TAPPING SCREW ST2.9X30      | X   | 1   |         |        |        |      |
| 065   | JM23000118 | PAN HEAD SCREW M4X30        |     | 4   | *       |        |        |      |
| 065-1 | JM00000214 | PAN HEAD SCREW M5X25        | X   | 4   |         |        |        |      |
| 066   | JM23000124 | SELF TAPING SCREWST5.2X12   |     | 2   | *       |        |        |      |
| 066-1 | JM00000213 | SELF TAPING SCREW ST4.8X9   | X   | 2   |         |        |        |      |
| 067   | JM23000125 | MOTOR REAR COVER            |     | 1   |         |        |        |      |

Please order the parts with part number.

Print Date 3/1/2024

Model No.M2300 255MM COMPOUND MITER SAW

| Item  | Parts No.  | Description                  | I/C | Qty | New/Old | Opt. 1 | Opt. 2 | Note |
|-------|------------|------------------------------|-----|-----|---------|--------|--------|------|
| 068   | JM23000123 | CARBON BRUSH 2PCS/SET        |     | 2   | *       |        |        |      |
| 068-1 | JM23000123 | CARBON BRUSH 2PCS/SET        | <   | 1   |         |        |        |      |
| 069   | JM23000122 | HEX. SOCKET HEAD BOLT M5 X 8 |     | 2   | *       |        |        |      |
| 070   | JM23000121 | BRUSH HOLDER                 |     | 2   | *       |        |        |      |
| 071   | JM23000120 | BRUSH HOLDER CAP             |     | 2   |         |        |        |      |
| 072   | JM23000084 | SPINDLE                      |     | 1   |         |        |        |      |
| 073   | JM23000090 | TRUSS HEAD SCREW M8X12       |     | 1   |         |        |        |      |
| 074   | JM23000085 | KEY5X10                      |     | 1   |         |        |        |      |
| 075   | JM23000086 | BALL BEARING 6304-RZ         |     | 1   |         |        |        |      |
| 076   | JM23000087 | RETAINING RING S-20          |     | 1   |         |        |        |      |
| 077   | JM23000088 | HELICAL GEAR                 |     | 1   |         |        |        |      |
| 078   | JM23000089 | RETAINING RING S-16          |     | 1   |         |        |        |      |
| 079   | JM23000092 | PAN HEAD SCREW M5 X 25       |     | 1   | *       |        |        |      |
| 079-1 | JM23000092 | PAN HEAD SCREW M5 X 25       | O   | 1   |         |        |        |      |
| 080   | JM23000093 | LIMIT PLATE                  |     | 1   |         |        |        |      |
| 081   | JM23000094 | LIMIT PAD                    |     | 1   |         |        |        |      |
| 082   | JM23000095 | ADJUST PAD                   |     | 1   |         |        |        |      |
| 083   | JM23000091 | GEAR HOUSING COMP.           |     | 1   |         |        |        |      |
| 084   | JM23000098 | FAN GUIDE                    |     | 1   |         |        |        |      |
| 085   | JM23000099 | BALL BEARING 6201Z           |     | 1   |         |        |        |      |
| 086   | JM23000100 | ARMATURE ASS'Y (230V)        |     | 1   |         |        |        |      |
| D10   |            | INC. 85,88                   |     |     |         |        |        |      |
| 087   | JM23000101 | SELF TAPING SCREWST4.8X70    |     | 2   |         |        |        |      |
| 088   | JM23000102 | BALL BEARING 6001Z           |     | 1   |         |        |        |      |
| 089   | JM23000103 | RUBBER RING                  |     | 1   |         |        |        |      |
| 090   | JM23000104 | FIELD ASS'Y (230V)           |     | 1   |         |        |        |      |
| 091   | JM23000130 | WRENCH 13                    |     | 1   | *       |        |        |      |
| 092   | JM23000039 | PAN HEAD SCREW M6 X 16       |     | 3   |         |        |        |      |
| 093   | JM23000040 | SPRING WASHER6               |     | 3   |         |        |        |      |
| 094   | JM23000041 | FLAT WASHER6                 |     | 3   |         |        |        |      |
| 095   | JM23000038 | LINK SUPPORT PLATE           |     | 1   |         |        |        |      |
| 096   | JM23000032 | PAN HEAD SCREW M5 X 10       |     | 1   |         |        |        |      |
| 097   | JM23000031 | SPRING WASHER5               |     | 1   |         |        |        |      |
| 098   | JM23000030 | FLAT WASHER5                 |     | 1   |         |        |        |      |
| 099   | JM23000042 | CLIP                         |     | 1   |         |        |        |      |
| 100   | JM23000037 | SHAFT                        |     | 1   |         |        |        |      |
| 101   | JM23000049 | LIMIT PIN                    |     | 1   |         |        |        |      |
| 102   | JM23000044 | ANTI-LOOSE NUTM12            |     | 1   |         |        |        |      |
| 103   | JM23000045 | FLAT WASHER12                |     | 1   |         |        |        |      |
| 104   | JM23000036 | ARM COMPLETE                 |     | 1   |         |        |        |      |
| D10   |            | INC. 111,112                 |     |     | *       |        |        |      |
| 105   | JM23000046 | LOCK PIN CAP                 |     | 1   |         |        |        |      |
| 106   | JM23000047 | O RING                       |     | 1   |         |        |        |      |
| 107   | JM23000048 | PIN                          |     | 1   |         |        |        |      |

Please order the parts with part number.

Print Date 3/1/2024

Model No.M2300 255MM COMPOUND MITER SAW

| Item  | Parts No.  | Description                  | I/C | Qty | New/Old | Opt. 1 | Opt. 2 | Note |
|-------|------------|------------------------------|-----|-----|---------|--------|--------|------|
| 108   | JM23000051 | RING                         |     | 1   |         |        |        |      |
| 109   | JM23100014 | CROSS HEAD SCREW M4X15       |     | 1   | *       |        |        |      |
| 109-1 | JM23000138 | PAN HEAD SCREW M4X10         | X   | 1   |         |        |        |      |
| 110   | JM23000050 | TORSIONAL SPRING             |     | 1   |         |        |        |      |
| 111   | JM23000035 | SCALE LABEL                  |     | 1   | *       |        |        |      |
| 112   | JM23000034 | RIVET                        |     | 2   | *       |        |        |      |
| 113   | JM23000033 | HEX. BOLT M8X16              |     | 1   |         |        |        |      |
| 114   | JM23000028 | HEX. NUT M8                  |     | 1   |         |        |        |      |
| 115   | JM23000203 | SUB FENCE                    |     | 1   | *       |        |        |      |
| 115-1 | JM23010001 | SUB FENCE COMPLETE           | X   | 1   |         |        |        |      |
| C10   | JM23380067 | CAUTION LABEL                |     | 1   |         |        |        |      |
| 116   | JM21000033 | HEX LOCK NUT M6              |     | 1   | *       |        |        |      |
| 116-1 | JM23100110 | HEX LOCK NUT M6              | O   | 1   |         |        |        |      |
| 117   | JM23100014 | CROSS HEAD SCREW M4X15       |     | 1   | *       |        |        |      |
| 117-1 | JM23100033 | PAN HEAD SCREW M4X12         | X   | 1   |         |        |        |      |
| 118   | JM23000137 | SPRING WASHER4               |     | 1   |         |        |        |      |
| 119   | JM23000202 | FIX PLATE                    |     | 1   |         |        |        |      |
| 120   | JM23300239 | FENCE PRESS PLAT             |     | 1   | *       |        |        |      |
| 120-1 | JM23100071 | THIN FLAT WASHER 6           | X   | 1   |         |        |        |      |
| 121   | JM23000201 | COUNTERSUNK HEAD SCREW M6X25 |     | 1   |         |        |        |      |
| 122   | JM23000126 | WING BOLT M6X12              |     | 2   | *       |        |        |      |
| 122-1 | JM23000126 | WING BOLT M6X12              | O   | 1   |         |        |        |      |
| 123   | JM23000024 | HEX.BOLT M8X30               |     | 4   |         |        |        |      |
| 124   | JM23000025 | SPRING WASHER8               |     | 4   |         |        |        |      |
| 125   | JM23000026 | FLAT WASHER8                 |     | 4   |         |        |        |      |
| 126   | JM23000204 | GUIDE RULE                   |     | 1   |         |        |        |      |
| 127   | JM23000027 | HEX. BOLT M8 X 20            |     | 2   | *       |        |        |      |
| 127-1 | JM23000024 | HEX.BOLT M8X30               | X   | 2   |         |        |        |      |
| 128   | JM23000028 | HEX. NUT M8                  |     | 2   |         |        |        |      |
| 129   | JM23000032 | PAN HEAD SCREW M5 X 10       |     | 1   |         |        |        |      |
| 130   | JM23000031 | SPRING WASHER5               |     | 1   | *       |        |        |      |
| 131   | JM23000030 | FLAT WASHER5                 |     | 1   |         |        |        |      |
| 132   | JM23000029 | BEVEL POINTER                |     | 1   |         |        |        |      |
| 133   | JM23000019 | PIVOT                        |     | 1   |         |        |        |      |
| 134   | JM23000020 | KERF BOARD RED               |     | 1   | *       |        |        |      |
| 134-1 | JM23000020 | KERF BOARD RED               | O   | 1   |         |        |        |      |
| 135   | JM23000018 | COUNTERSUNK HEAD SCREW M4X10 |     | 1   | *       |        |        |      |
| 135-1 | JM23000138 | PAN HEAD SCREW M4X10         | X   | 1   |         |        |        |      |
| 136   | JM23000022 | PROTECTION NET               |     | 1   |         |        |        |      |
| 137   | JM23000018 | COUNTERSUNK HEAD SCREW M4X10 |     | 4   | *       |        |        |      |
| 137-1 | JM23000018 | COUNTERSUNK HEAD SCREW M4X10 | O   | 3   |         |        |        |      |
| 138   | JM23000017 | MITER ANGLE POINTER          |     | 1   |         |        |        |      |
| 139   | JM23000021 | TURN BASE COMP.              |     | 1   |         |        |        |      |
| 140   | JM23000016 | SLIDE PLATE                  |     | 2   |         |        |        |      |

Please order the parts with part number.

Print Date 3/1/2024

Model No.M2300 255MM COMPOUND MITER SAW

| Item  | Parts No.  | Description                   | I/C | Qty | New/Old | Opt. 1 | Opt. 2 | Note |
|-------|------------|-------------------------------|-----|-----|---------|--------|--------|------|
| 141   | JM23000012 | SCREW                         |     | 1   |         |        |        |      |
| 142   | JM23000011 | BASE SUPPORTER                |     | 1   |         |        |        |      |
| 143   | JM23000006 | LOCK KNOB FOR EXT.WINGS       |     | 2   |         |        |        |      |
| 144   | JM23000127 | HOLDER                        |     | 2   |         |        |        |      |
| 145   | JM23000013 | FLAT WASHER10                 |     | 2   | *       |        |        |      |
| 145-1 | JM23000013 | FLAT WASHER10                 | O   | 1   |         |        |        |      |
| 146   | JM23000014 | WAVE WASHER 6                 |     | 1   |         |        |        |      |
| 147   | JM23000015 | ANTI-LOOSE NUTM10             |     | 1   |         |        |        |      |
| 148   | JM23000200 | KNOCK SPRING SET              |     | 1   |         |        |        |      |
| D10   |            | INC. 175,176                  |     |     |         |        |        |      |
| 149   | JM23000002 | HANDLE BRACKET                |     | 1   |         |        |        |      |
| 150   | JM23000001 | GRIP                          |     | 1   |         |        |        |      |
| 151   | JM23000003 | SPRING WASHER8                |     | 2   | *       |        |        |      |
| 151-1 | JM23000003 | SPRING WASHER8                | O   | 1   |         |        |        |      |
| 152   | JM23000004 | HEX SOCKET HEAD BOLT<br>M8X25 |     | 2   | *       |        |        |      |
| 152-1 | JM00000207 | HEX SOCKET HEAD BOLT<br>M8X30 | <   | 1   |         |        |        |      |
| 153   | JM23000128 | SET PLATE                     |     | 1   |         |        |        |      |
| D10   |            | INC. 192                      |     |     |         |        |        |      |
| 154   | 810965-6   | CAUTION LABEL                 |     | 1   | *       |        |        |      |
| 155   | JM23000009 | BASE COMP                     |     | 1   | *       |        |        |      |
| D10   |            | INC. 154,156,157              |     |     | *       |        |        |      |
| 155-1 | JM00000066 | BASE COMP                     | X   | 1   |         |        |        |      |
| D10   |            | INC. 154,177                  |     |     | *       |        |        |      |
| D11   |            | INC. 177                      |     |     |         |        |        |      |
| 156   | JM23000008 | RIVET                         |     | 2   | *       |        |        |      |
| 157   | JM23000007 | MITER ANGLE LABEL             |     | 1   | *       |        |        |      |
| 158   | JM23000043 | KNOB BOLT M10 RED             |     | 1   | *       |        |        |      |
| 158-1 | JM23000043 | KNOB BOLT M10 RED             | O   | 1   |         |        |        |      |
| 159   | JM23000013 | FLAT WASHER10                 |     | 1   |         |        |        |      |
| 160   | 810964-8   | CAUTION LABEL                 |     | 1   | *       |        |        |      |
| 161   | JM23080143 | LOGO LABEL                    |     | 1   |         |        |        |      |
| 162   | JM23000014 | WAVE WASHER 6                 |     | 1   |         |        |        |      |
| 163   | JM23000137 | SPRING WASHER4                |     | 1   | *       |        |        |      |
| 163-1 | JM23000136 | FLAT WASHER4                  | X   | 1   |         |        |        |      |
| 164   | JM00000210 | PAN HEAD SCREW M4X28          |     | 1   |         |        |        |      |
| 165   | JM23000030 | FLAT WASHER5                  |     | 4   |         |        |        |      |
| 166   | JM23000030 | FLAT WASHER5                  |     | 2   |         |        |        |      |
| 167   | JM23000137 | SPRING WASHER4                |     | 4   | *       |        |        |      |
| 167-1 | JM23000137 | SPRING WASHER4                | O   | 1   |         |        |        |      |
| 168   | JM23000136 | FLAT WASHER4                  |     | 1   |         |        |        |      |
| 169   | JM00000206 | FLAT HEAD SCREW M4X8          |     | 1   |         |        |        |      |
| 170   | JM23000040 | SPRING WASHER6                |     | 1   |         |        |        |      |
| 171   | JM23000041 | FLAT WASHER6                  |     | 1   |         |        |        |      |
| 172   | JM23000013 | FLAT WASHER10                 |     | 1   |         |        |        |      |

Please order the parts with part number.

Print Date 3/1/2024

Model No.M2300 255MM COMPOUND MITER SAW

| Item  | Parts No.  | Description                   | I/C | Qty | New/Old | Opt. 1 | Opt. 2 | Note |
|-------|------------|-------------------------------|-----|-----|---------|--------|--------|------|
| 173   | JM23000004 | HEX SOCKET HEAD BOLT<br>M8X25 |     | 1   |         |        |        |      |
| 174   | JM00000208 | CONE WASHER 6                 |     | 1   |         |        |        |      |
| 175   | JM23000005 | KNOCK SPRING                  |     | 1   |         |        |        |      |
| 176   | JM23000185 | LOCKING KNOB                  |     | 1   |         |        |        |      |
| 177   | JM2708B060 | CAUTION LABEL                 |     | 2   |         |        |        |      |
| 188   | JM23000136 | FLAT WASHER4                  |     | 2   |         |        |        |      |
| 189   | JM23000136 | FLAT WASHER4                  |     | 1   |         |        |        |      |
| 190   | JM23000138 | PAN HEAD SCREW M4X10          |     | 1   |         |        |        |      |
| 191   | JM23000003 | SPRING WASHER8                |     | 1   |         |        |        |      |
| 192   | JM23000129 | WING BOLT M6X20               |     | 1   |         |        |        |      |
| 193   | JM23000131 | WISE ASS'Y                    |     | 1   |         |        |        |      |
| 194   | JM23000183 | CAPACITOR                     |     | 1   |         |        |        |      |
| 195   | JM23180056 | CAUTION LABEL                 |     | 1   |         |        |        |      |
| A01   | JM23010001 | SUB FENCE COMPLETE            |     | 1   | *       |        |        |      |
| A02   | JM23010002 | SUB FENCE COMPLETE            |     | 1   | *       |        |        |      |
| A03   | JM23380067 | CAUTION LABEL                 |     | 1   | *       |        |        |      |
| A04   | JM23380068 | CAUTION LABEL                 |     | 1   | *       |        |        |      |
| A05   | JM23000130 | WRENCH 13                     |     | 1   |         |        |        |      |
| A06   | JM23000131 | WISE ASS'Y                    |     | 1   | *       |        |        |      |
| A07   | JM23010003 | DUST BAG ASSEMBLY             |     | 1   |         |        |        |      |
| A08   | 762001-3   | TRIANGULAR RULE               |     | 1   |         |        |        |      |
| A09   | JM23000172 | SAW BLADE 255-30              |     | 1   | *       |        |        |      |
| A09-1 | JM00000388 | SAW BLADE 255-30              | O   | 1   |         |        |        |      |
| A10   | JM23100144 | RING 30                       |     | 1   |         |        |        |      |
| F01   | JM23080140 | COLOR CARTON FOR RED          |     | 1   | *       |        |        |      |
| F01-1 | 198687-1   | STAND SET                     | <   | 1   |         |        |        |      |

Please order the parts with part number.

Print Date 3/1/2024