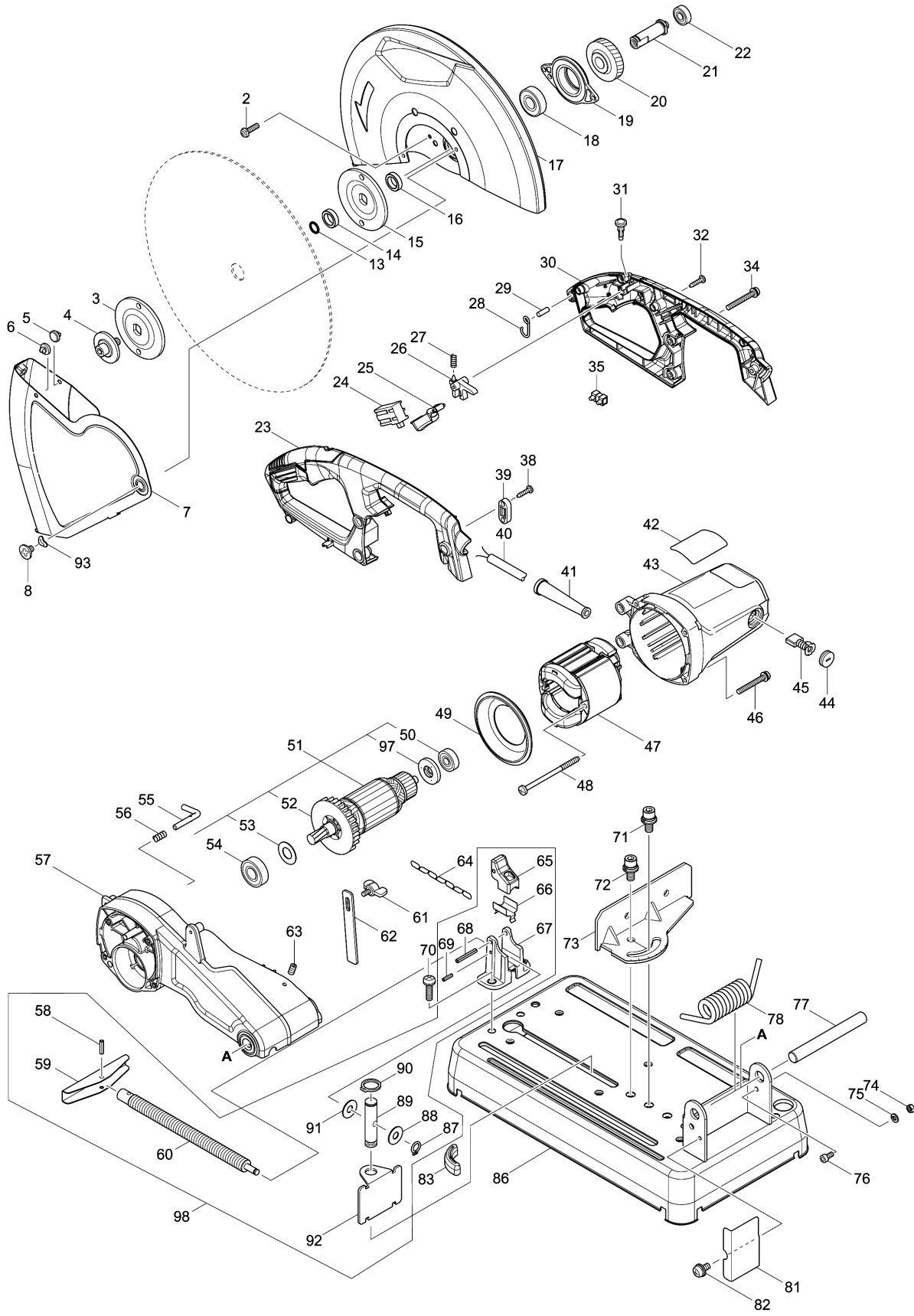


Model No.M2401 355MM PORTABLE CUT OFF



Model No.M2401 355MM PORTABLE CUT OFF

Item	Parts No.	Description	I/C	Qty	New/Old	Opt. 1	Opt. 2	Note
002	265122-5	PAN HEAD SCREW M5X20		4				
003	224456-5	FLANGE 90		1				
004	251498-6	HEX SOCKET HEAD BOLT M10X25		1				
005	416771-3	PLUG		1				
006	416771-3	PLUG		1				
007	161529-2	SAFETY GUIDE		1				
008	265121-7	+ FLAT HEAD SCREW M6		1				
013	213180-5	O RING 14		1				
014	257255-0	RING 17		1				
015	224456-5	FLANGE 90		1				
016	257255-0	RING 17		1				
017	161778-1	SAFETY COVER		1				
018	210155-5	BALL BEARING 6203ZZ		1				
019	316527-3	BEARING BOX		1				
020	221462-1	HELICAL GEAR 43		1				
021	326790-0	SPINDLE		1	*			
021-1	322633-4	SPINDLE	O	1				
022	210067-2	BALL BEARING 6000ZZ		1	*			
022-1	210199-5	BALL BEARING 6000ZZ	O	1				
023	183E47-0	HANDLE SET		1				
D10		INC. 30						
024	651067-7	SWITCH		1				
025	418140-4	SWITCH LEVER		1				
026	418139-9	SWITCH LOCK		1				
027	231397-8	COMPRESSION SPRING 4		1				
028	281216-8	HANGER		1				
029	268101-2	PIN 6		1				
030	183E47-0	HANDLE SET		1				
D10		INC. 23						
031	418138-1	SWITCH BUTTON		1				
032	266841-6	TAPPING SCREW 4X18		4	*			
032-1	266326-2	TAPPING SCREW 4X18	O	4				
034	265104-7	PAN HEAD SCREW M5X40		3				
035	654532-5	TERMINAL BLOCK 1P		1				
038	266841-6	TAPPING SCREW 4X18		2	*			
038-1	266326-2	TAPPING SCREW 4X18	O	2				
039	687124-5	STRAIN RELIEF		1				
040	695480-9	POWER SUPPLY CORD 1.0-2- 2.5		1	*			
040-1	665865-3	POWER SUPPLY CORD 1.0-2- 2.5	O	1				
041	682540-6	CORD GUARD 9.3-90		1				
042	853R92-4	M2401 NAME PLATE		1				
043	144053-0	MOTOR HOUSING COMPLETE		1	*			
043-1	140X58-2	MOTOR HOUSING COMPLETE	O	1				
044	644802-0	HOLDER CAP		2				

Please order the parts with part number.

Print Date 15/12/2023

Model No.M2401 355MM PORTABLE CUT OFF

Item	Parts No.	Description	I/C	Qty	New/Old	Opt. 1	Opt. 2	Note
045	191953-5	CARBON BRUSH CB-203		1	*			
045-1	194991-6	CARBON BRUSH SET CB203	O	1				
046	265104-7	PAN HEAD SCREW M5X40		4				
047	593949-6	FIELD ASS'Y 240V		1	*			
047-1	593949-6	FIELD ASS'Y 240V	O	1				
048	266328-8	TAPPING SCREW 5X80		2				
049	418143-8	BAFFLE PLATE		1				
050	210070-3	BALL BEARING 6200ZZ		1				
051	513494-5	ARMATURE ASS'Y 240V		1				
D10		INC. 50,52-54,97						
052	240003-4	FAN 80		1				
053	267274-8	FLAT WASHER 15		1				
054	210156-3	BALL BEARING 6202ZZ		1				
055	322665-1	STOPPER		1				
056	233372-0	COMPRESSION SPRING 7		1				
057	144057-2	GEAR HOUSING COMPLETE		1				
C10	263029-9	RUBBER PIN 6		1	*			
C11	263005-3	RUBBER PIN 6	O	1				
058	951163-4	SPRING PIN 5-20		1				
059	271431-2	HANDLE 120		1				
060	326802-9	WISE SCREW		1				
063	251961-9	H.S.SET SCREW(FLAT POINT)M6X10		2				
064	282015-1	CHAIN		1				
065	313114-9	WISE NUT		1				
066	347083-2	PLATE		1				
067	319474-7	SCREW GUIDE		1				
068	951175-7	SPRING PIN 5-36		1				
069	951110-5	SPRING PIN 4-16		1				
070	265125-9	PAN HEAD SCREW M8X30		2				
071	251499-4	H. S. HEAD BOLT M10X25 WITH WG		1				
072	251499-4	H. S. HEAD BOLT M10X25 WITH WG		1				
073	347276-1	GUIDE PLATE		1				
074	931302-2	HEX. NUT M6		1				
075	942151-2	SPRING WASHER 6		1	*			
075-1	253428-3	SPRING WASHER 6	O	1				
076	922312-0	HEX. SOCKET HEAD BOLT M6X12		1				
077	326801-1	ROD 16		1				
078	232325-6	TORSION SPRING 20		1				
081	161779-9	SPARK GUARD		1				
082	265144-5	PAN HEAD SCREW M6X12		1				
083	421834-2	CUSHION		3				
086	161777-3	BASE		1				
087	961004-6	RETAINING RING (EXT) S-8		1				
088	267257-8	FLAT WASHER 8		1				

Please order the parts with part number.

Print Date 15/12/2023

Model No.M2401 355MM PORTABLE CUT OFF

Item	Parts No.	Description	I/C	Qty	New/Old	Opt. 1	Opt. 2	Note
089	256545-8	PIN 16		1				
090	961056-7	RETAINING RING S-16		1				
091	267257-8	FLAT WASHER 8		1				
092	347277-9	WISE PLATE		1				
093	253903-9	WAVE WASHER 6		1				
097	681630-2	INSULATION WASHER		1				
098	135841-6	WISE ASS'Y		1				
D10		INC. 58-60,65-69,87-92						
A01	783023-0	HEX. WRENCH 8		1				
A02	B-19881	14" CUT-OFF WHEEL		1	*			
A02-1	B-19881	14" CUT-OFF WHEEL	O	1				
E01	645275-0	CAPACITOR		1				

Please order the parts with part number.

Print Date 15/12/2023