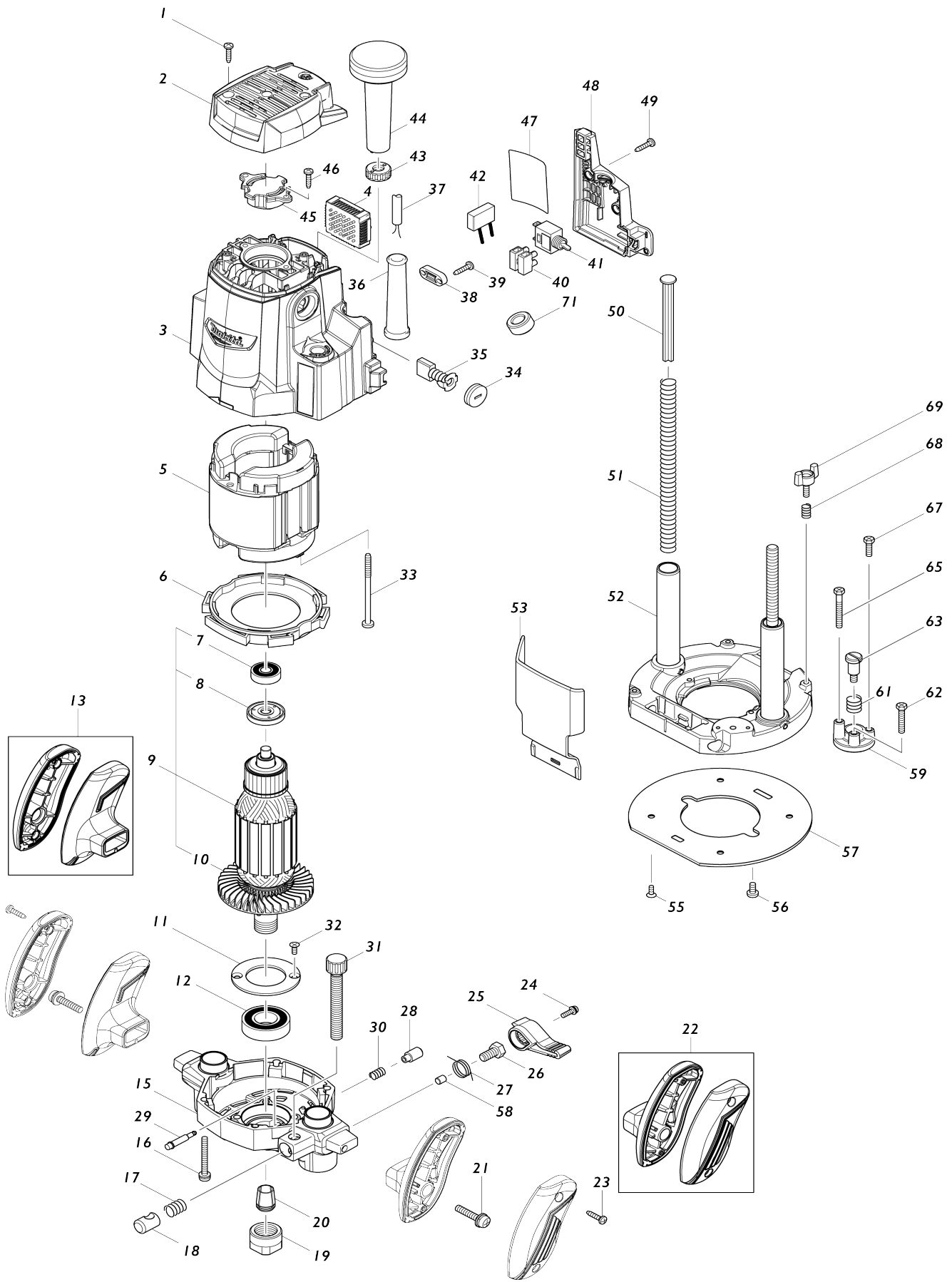


Model No.M3602 ROUTER



Model No.M3602 ROUTER

Item No.	Parts No.	Description	Interchangability	Q'ty	New/Old	Note1	Note2
001	266326-2	TAPPING SCREW 4X18		2			
002	413B12-0	TOP COVER		1			
003	141F96-9	MOTOR HOUSING COMPLETE		1			
C10	643564-7	BRUSH HOLDER		2			
C20	816811-1	SCALE LABEL		1			
004	620H00-8	CONTROLLER		1			
005	594784-5	FIELD ASS'Y 240V		1			
C10	654451-5	RING TERMINAL		2			
C20	654486-6	PARALLEL SPLICE		2			
006	418486-8	BAFFLE PLATE		1			
007	211381-9	BALL BEARING 629ZZ		1			
008	681666-1	INSULATION WASHER		1			
009	517884-4	ARMATURE ASS'Y 240V		1			
D10		INC. 7,8,10					
010	240069-4	FAN 83		1			
011	285711-0	BEARING RETAINER 50		1			
012	211335-6	BALL BEARING 6004ZZ		1			
013	187512-1	GRIP L SET		1			
015	141868-6	MOTOR BRACKET COMPLETE		1			
016	911268-2	PAN HEAD SCREW M5X45		4			
017	233397-4	COMPRESSION SPRING 11		1			
018	324424-9	HALF NUT		1			
019	763629-0	COLLET NUT		1			
020	763628-2	COLLET CONE 12MM		1			
021	911353-1	PAN HEAD SCREW M6X30		2			
022	187515-5	GRIP R SET		1			
023	266326-2	TAPPING SCREW 4X18		4			
024	265099-4	PAN HEAD SCREW M4X14		1			
025	454033-1	LOCK LEVER		1			
026	266335-1	SET BOLT M8X16		1			
027	231670-6	TORSION SPRING 16		1			
028	286270-7	CAP 11		1			
029	256482-6	SHOULDER PIN 6		1			
030	233396-6	COMPRESSION SPRING 7		1			
031	265759-8	THUMB SCREW M10X80		1			
032	265135-6	+ COUNTERSUNK HEAD SCREW M4X10		2			
033	266328-8	TAPPING SCREW 5X80		2			
034	643700-5	BRUSH HOLDER CAP 7-18		2			
035	191953-5	CARBON BRUSH CB-203		1	*		
035-1	194991-6	CARBON BRUSH SET CB203	O	1			
036	682574-9	CORD GUARD 10-90		1			
037	665852-2	POWER SUPPLY CORD 1.0-2-2.0		1			
038	687124-5	STRAIN RELIEF		1			
039	266326-2	TAPPING SCREW 4X18		2			
040	654531-7	TERMINAL BLOCK 2P		1	*		
040-1	654741-6	TERMINAL BLOCK	O	1			
041	651066-9	SWITCH ST115A-TB-S1		1			

042	645238-6	NOISE SUPPRESSOR		1		
043	418484-2	NYLON NUT M10		1		
044	153764-6	KNOB 50 COMPLETE		1		
045	317747-2	BEARING BOX		1		
046	266326-2	TAPPING SCREW 4X18		2		
047	8111T9-1	M3602 NAME PLATE		1		
048	413B13-8	SWITCH COVER		1		
049	266326-2	TAPPING SCREW 4X18		2		
050	418492-3	POLE		1		
051	233456-4	COMPRESSION SPRING 11		2		
052	141867-8	BASE COMPLETE		1		
053	454032-3	CHIP DEFLECTOR		1		
055	265135-6	+ COUNTERSUNK HEAD SCREW M4X10		4		
056	265133-0	+ BINDING HEAD SCREW M5X10		2		
057	454026-8	BASE PLATE		1		
058	324425-7	LOCK PIN		1		
059	317748-0	STOPPER		1		
061	233398-2	COMPRESSION SPRING 12		1		
062	265587-1	+HEX. BOLT M5X20		1		
063	251470-8	- FLAT HEAD SCREW M6		1		
065	265587-1	+HEX. BOLT M5X20		1		
067	265586-3	+HEX. BOLT M5X14		1		
068	233396-6	COMPRESSION SPRING 7		2		
069	265761-1	THUMB SCREW M5X16		2		
A01	196202-5	TRIMMER GUIDE SET		1		
C10	265760-3	THUMB SCREW M5X10		2		
C20	941101-4	FLAT WASHER 5		2		
A03	193894-1	DUST COVER SET		1		
A04	345387-6	TEMPLET GUIDE 16		1		
A05	763811-1	COLLET SLEEVE 6		1		
A06	763812-9	COLLET SLEEVE 8		1		
A07	781034-9	WRENCH 8-24		1		
A08	165718-1	STRAIGHT GUIDE		1		
A09	733236-3	STRAIGHT BIT 12		1	*	
A09-1	191Y80-8	STRAIGHT BIT 12 SET	O	1		
A10	415412-8	DUST NOZZLE		1		

Please state Parts No. when your order.

Print Date 03/01/2024