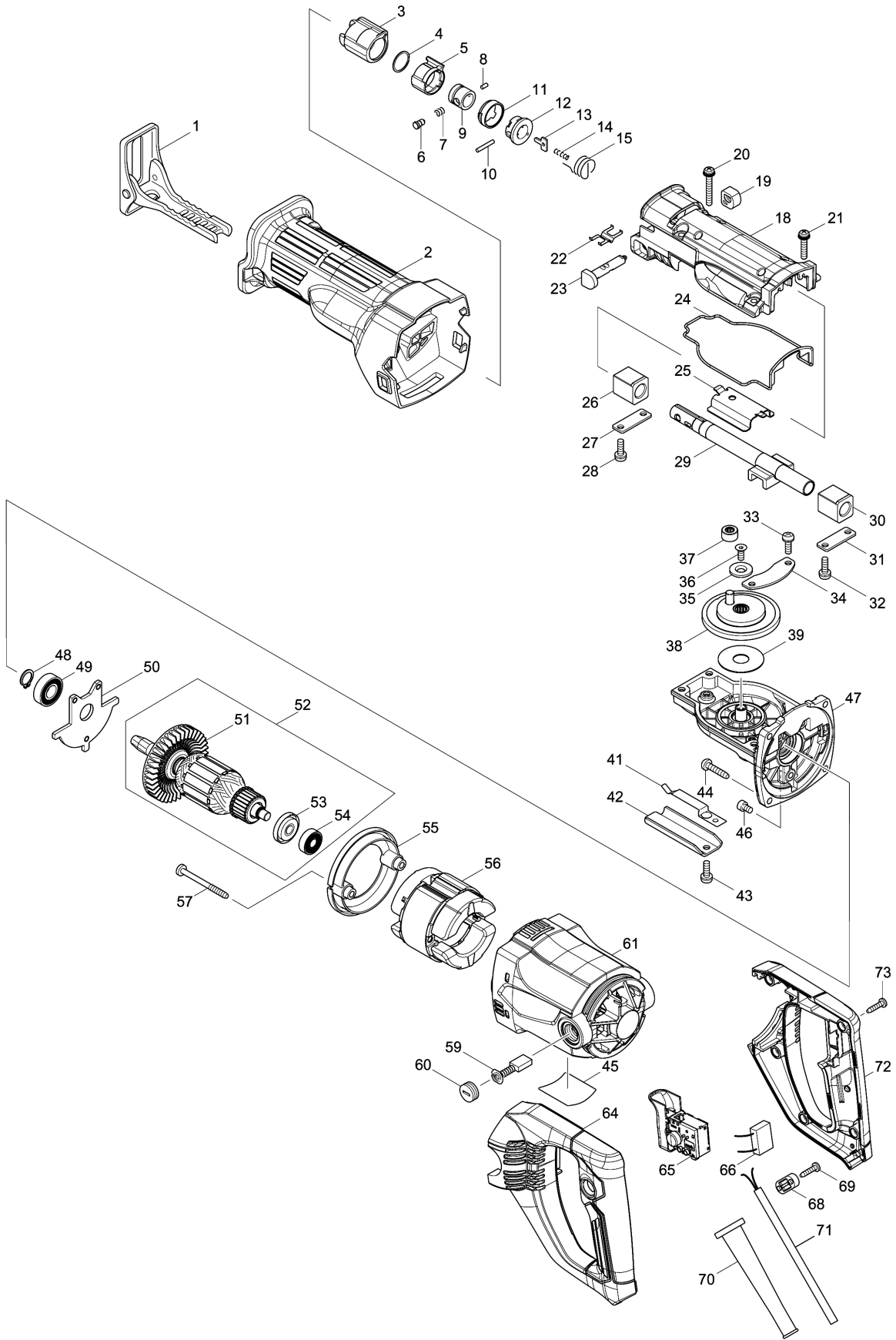


# Model No.M4501 RECIPRO SAW



Model No.M4501 RECIPRO SAW

Item	Parts No.	Description	I/C	Qty	New/Old	Opt. 1	Opt. 2	Note
001	165396-7	SHOE		1	*			
001-1	163451-9	SHOE	O	1				
002	424587-2	INSULATION COVER		1				
003	424147-0	PROTECTOR		1				
004	257952-8	RETAINING RING (EXT) 18		1	*			
004-1	257430-8	RETAINING RING(EXT)18	S	1				
005	310285-3	DRIVING SLEEVE		1				
006	256492-3	SHOULDER PIN 5		1				
007	233345-3	COMPRESSION SPRING 6		1				
008	268094-3	PIN 3		1				
009	331720-8	GUIDE SLEEVE		1	*			
009-1	327043-0	GUIDE SLEEVE	S	1				
010	256158-5	PIN 3		1				
011	417791-0	DRIVING SLEEVE GUIDE		1				
012	418311-3	SLEEVE		1				
013	345214-7	PUSH PLATE		1				
014	233025-1	COMPRESSION SPRING 2		1				
015	231687-9	TORSION SPRING 17		1				
018	142177-6	GEAR HOUSING COVER COMPLETE		1				
C10	213151-2	OIL SEAL 14		1				
C20	213174-0	X RING 14		1				
019	418806-6	CAP		1				
020	911258-5	PAN HEAD SCREW M5X35		2				
021	911243-8	PAN HEAD SCREW M5X25		2				
022	232221-8	LEAF SPRING A		1				
023	162236-0	SHIFT BUTTON		1				
024	424586-4	SEAL RING		1				
025	346714-0	SLIDE PLATE		1				
026	214169-6	PLANE BEARING 14		1				
027	341462-6	PLATE		1				
028	911225-0	PAN HEAD SCREW M5X16		2				
029	168820-9	SLIDER		1	*			
029-1	161601-0	SLIDER	<	1				
030	214169-6	PLANE BEARING 14		1				
031	341462-6	PLATE		1				
032	911225-0	PAN HEAD SCREW M5X16		2				
033	911225-0	PAN HEAD SCREW M5X16		2				
034	346715-8	GEAR PLATE		1				
035	267475-8	FLAT WASHER 6		1				
036	251969-3	HEX. SOCKET HEAD BOLT M5X12		1				
037	212959-1	NEEDLE BEARING 708		1				
038	142176-8	GEAR COMPLETE		1				
039	267474-0	FLAT WASHER 14		1				
041	232222-6	LEAF SPRING B		1				

Please order the parts with part number.

Print Date 23/2/2024

Model No.M4501 RECIPRO SAW

Item	Parts No.	Description	I/C	Qty	New/Old	Opt. 1	Opt. 2	Note
042	346713-2	SHOE GUIDE		1				
043	911225-0	PAN HEAD SCREW M5X16		1				
044	266459-3	TAPPING SCREW 5X25		4				
045	852C78-5	M4501 NAME PLATE		1				
046	265530-0	HEX.SOCKET HEAD BOLT M5X8		3				
047	142178-4	GEAR HOUSING COMPLETE		1				
C10	931302-2	HEX. NUT M6		1				
C20	941151-9	FLAT WASHER 6		1				
048	961052-5	RETAINING RING (EXT) S-12		1				
049	210107-6	BALL BEARING 6001ZZ		1				
050	285737-2	BEARING RETAINER		1				
051	241863-7	FAN 70		1				
052	518693-4	ARMATURE ASS'Y 240V		1				
D10		INC. 51,53,54						
053	681644-1	INSULATION WASHER		1				
054	210046-0	BALL BEARING 608ZZ		1				
055	454596-7	BAFFLE PLATE		1				
056	594629-7	FIELD ASS'Y 220-240V		1				
C10	654220-4	RING TERMINAL		2	*			
C11	654449-2	RING TERMINAL	O	2				
C20	654501-6	CONNECTOR P-1.25		2	*			
C21	654485-8	PARALLEL SPLICE	>	2				
057	266418-7	TAPPING SCREW 5X55		2				
059	191963-2	CARBON BRUSH CB-303		1				
060	643750-0	BRUSH HOLDER CAP 7-11		2				
061	143587-0	MOTOR HOUSING COMPLETE		1				
C10	643708-9	BRUSH HOLDER 5-11		2				
064	187717-3	HANDLE SET		1				
D10		INC. 72						
065	650714-7	SWITCH TN04-6/1BEK		1				
066	645190-8	NOISE SUPPRESSOR		1				
068	687124-5	STRAIN RELIEF		1				
069	266326-2	TAPPING SCREW 4X18		2				
070	682573-1	CORD GUARD 10		1				
071	665852-2	POWER SUPPLY CORD 1.0-2- 2.0		1	*			
071-1	695454-0	POWER SUPPLY CORD 1.0-2- 2.0	O	1	*			
071-2	665852-2	POWER SUPPLY CORD 1.0-2- 2.0	O	1				
072	187717-3	HANDLE SET		1				
D10		INC. 64						
073	266326-2	TAPPING SCREW 4X18		5				
A01	821684-9	PLASTIC CARRYING CASE		1				
C10	452432-1	SLIDE LATCH		2				
C20	806G57-9	MAKITA MT LOGO LABEL		1				

Please order the parts with part number.

Print Date 23/2/2024

Model No.M4501 RECIPRO SAW

Item	Parts No.	Description	I/C	Qty	New/Old	Opt. 1	Opt. 2	Note
A02	809B15-4	M4501K PLASTIC CASE LABEL		2				

Please order the parts with part number.

Print Date 23/2/2024