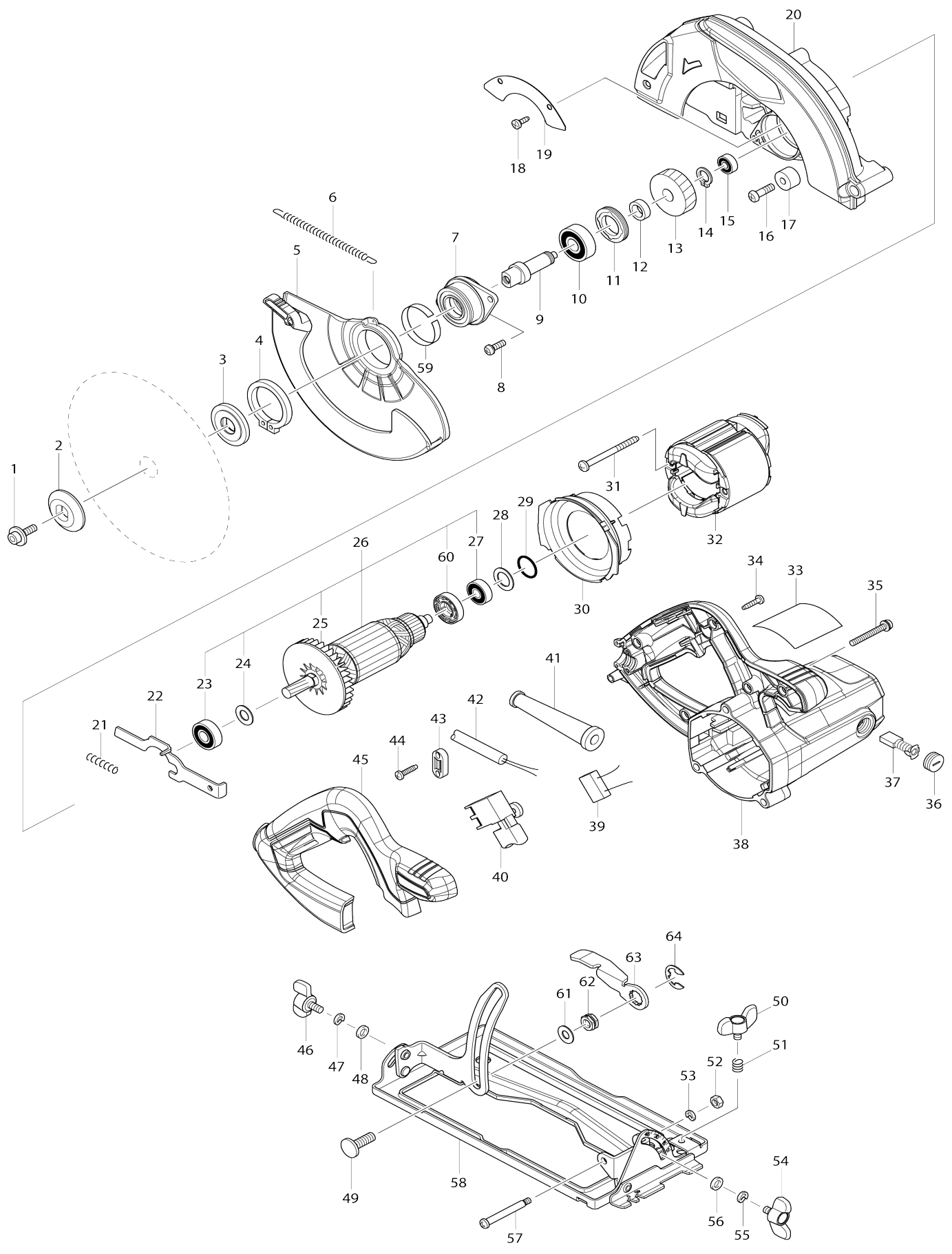


Model No.M5802 185/190MM CIRCULAR SAW



Model No.M5802 185/190MM CIRCULAR SAW

Item No.	Parts No.	Description	Interchangability	Q'ty	New/Old	Note1	Note2
001	266819-9	HEX.SOKCET HEAD BOLT M6X20		1			
002	224275-9	OUTER FLANGE 40		1			
003	224370-5	INNER FLANGE 40		1			
004	961155-5	RETAINING RING S-38		1			
005	452090-3	SAFETY COVER		1			
006	231839-2	TENSION SPRING 4		1			
007	317666-2	BEARING BOX		1			
008	265120-9	PAN HEAD SCREW M5X16		2			
009	324395-0	SPINDLE		1			
010	211145-1	BALL BEARING 6201ZZ		1			
011	285840-9	BEARING RETAINER 19-33		1			
012	257173-2	RING 12		1			
013	226610-7	HELICAL GEAR 38		1			
014	961052-5	RETAINING RING (EXT) S-12		1			
015	210028-2	BALL BEARING 606ZZ		1			
016	265117-8	+PAN HEAD SCREW M6X20		1			
017	262556-3	RUBBER SLEEVE 6		1			
018	266026-4	TAPPING SCREW BIND CT 4X12		1			
019	346314-6	COVER PLATE		1			
020	143585-4	BLADE CASE COMPLETE		1			
C10	213445-5	O-RING 26		1			
021	233092-6	COMPRESSION SPRING 5		1			
022	345317-7	SHAFT LOCK		1			
023	210067-2	BALL BEARING 6000ZZ		1	*		
023-1	210199-5	BALL BEARING 6000ZZ	O	1			
024	267256-0	FLAT WASHER 10		1			
025	240064-4	FAN 70		1			
026	510167-1	ARMATURE ASS'Y 240V		1	*		
D10		INC. 23-25,27,60					
026-1	510414-0	ARMATURE ASS'Y 240V	O	1			
D10		INC. 23-25,27,60					
027	210029-0	BALL BEARING 608ZZ		1			
028	267255-2	FLAT WASHER 14		1			
029	213279-6	O RING 18		1			
030	452092-9	BAFFLE PLATE		1			
031	266329-6	TAPPING SCREW 5X60		2			
032	594493-6	FIELD ASS'Y 220V		1	*		
C10	654220-4	RING TERMINAL		2	*		
C20	654501-6	CONNECTOR P-1.25		2	*		
032-1	593943-8	FIELD ASS'Y 220V	O	1			
C10	654220-4	RING TERMINAL		2	*		
C11	654449-2	RING TERMINAL	O	2			
C20	654501-6	CONNECTOR P-1.25		2	*		
C21	654485-8	PARALLEL SPLICE	>	2			
033	852B51-9	M5802 NAME PLATE		1			
034	266326-2	TAPPING SCREW 4X18		5			
035	265104-7	PAN HEAD SCREW M5X40		3			

036	643750-0	BRUSH HOLDER CAP 7-11		2		
037	191963-2	CARBON BRUSH CB-303		1		
038	140586-3	MOTOR HOUSING COMPLETE		1	*	
C10	643764-9	BRUSH HOLDER		2	*	
038-1	140586-3	MOTOR HOUSING COMPLETE	O	1		
C10	643764-9	BRUSH HOLDER		2		
039	645190-8	NOISE SUPPRESSOR		1		
040	650238-3	SWITCH FA1-6/1D-2		1		
041	682540-6	CORD GUARD 9.3-90		1		
042	665852-2	POWER SUPPLY CORD 1.0-2-2.0		1	*	
042-1	695454-0	POWER SUPPLY CORD 1.0-2-2.0	O	1	*	
042-2	665852-2	POWER SUPPLY CORD 1.0-2-2.0	O	1		
043	687124-5	STRAIN RELIEF		1		
044	266326-2	TAPPING SCREW 4X18		2		
045	452089-8	HANDLE COVER		1		
046	265754-8	THUMB SCREW M6X12		1		
047	942151-2	SPRING WASHER 6		1	*	
047-1	253428-3	SPRING WASHER 6	O	1	*	
048	941151-9	FLAT WASHER 6		1		
049	266396-1	FLATHEAD SQUARENECKBOLT M8X24		1		
050	265754-8	THUMB SCREW M6X12		1		
051	233376-2	COMPRESSION SPRING 8		1		
052	252175-3	HEX. NUT M5		1		
053	942101-7	SPRING WASHER 5		1	*	
053-1	253427-5	SPRING WASHER 5	O	1		
054	265754-8	THUMB SCREW M6X12		1		
055	942151-2	SPRING WASHER 6		1	*	
055-1	253428-3	SPRING WASHER 6	O	1	*	
056	941151-9	FLAT WASHER 6		1		
057	265118-6	+ PAN HEAD SCREW M5		1		
058	161300-4	BASE		1		
059	345391-5	THICKNESS RING		1		
060	681659-8	INSULATION WASHER		1		
061	941201-0	FLAT WASHER 8		1		
062	252199-9	HEX. NUT M8-13		1		
063	346311-2	LEVER PLATE		1		
064	257953-6	BOW STOP RING E-12		1		
A01	164095-8	GUIDE RULE		1		
A02	452091-1	DUST NOZZLE		1		
A03	911218-7	PAN HEAD SCREW M5X14		1		
A04	783217-7	HEX. WRENCH 5		1		
A05	B-02939	T.C.T. SAW BLADE 190MM		1		

Please state Parts No. when your order.

Print Date 02/16/2024