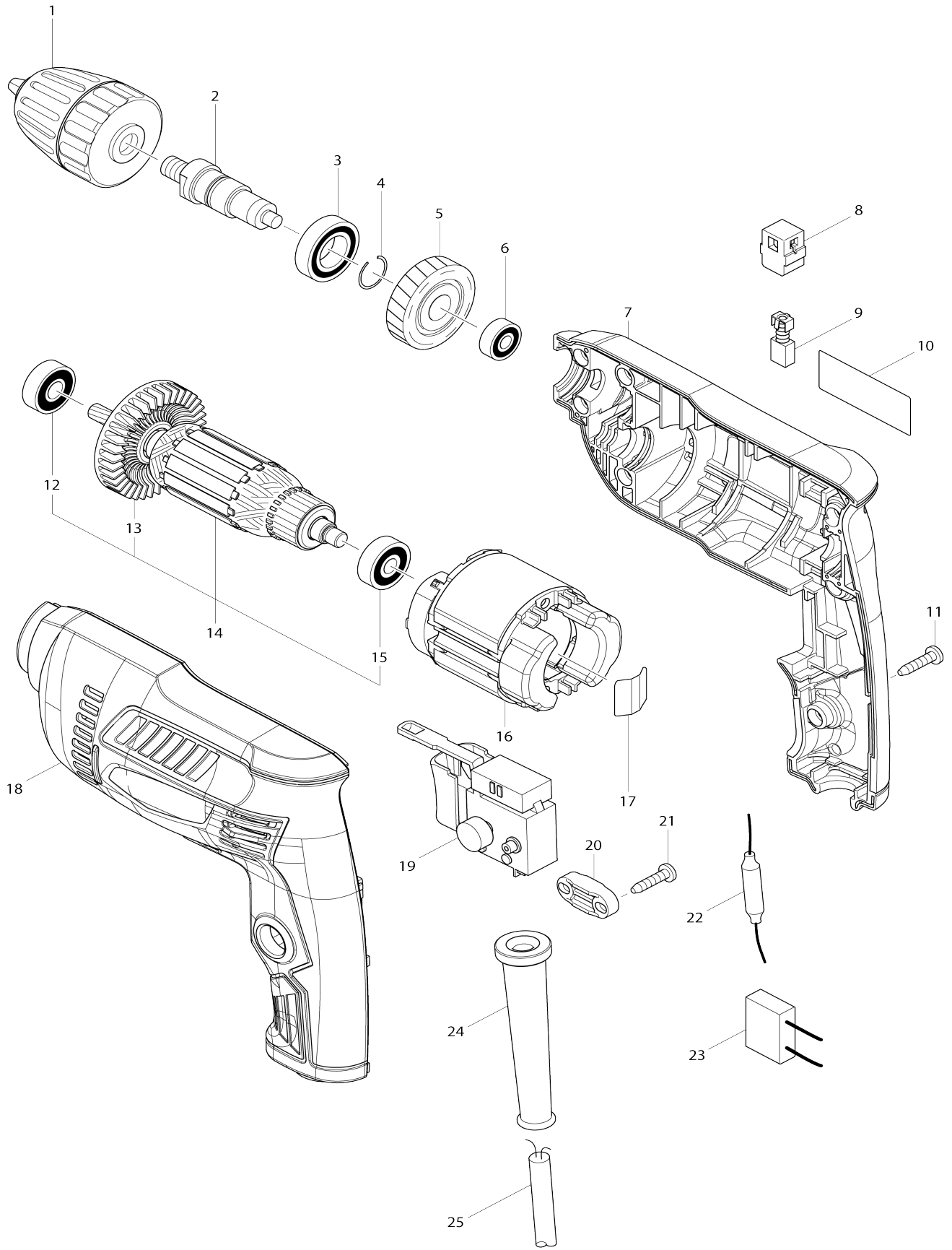


# Model No.M6002 10MM DRILL



Model No.M6002 10MM DRILL

Item No.	Parts No.	Description	Interchangability	Q'ty	New/Old	Note1	Note2
001	766026-9	KEYLESS DRILL CHUCK 10		1			
002	324376-4	SPINDLE		1			
003	211242-3	BALL BEARING 6902ZZ		1	*		
003-1	210153-9	BALL BEARING 6902ZZ	O	1			
004	233925-5	RING SPRING 13		1			
005	226578-7	HELICAL GEAR 35		1			
006	210028-2	BALL BEARING 606ZZ		1	*		
006-1	210137-7	BALL BEARING 606ZZ	O	1			
007	183B08-2	HOUSING SET		1	*		
D10		INC. 18					
007-1	183B95-1	HOUSING SET	<	1	*		
D10		INC. 18					
007-2	183D53-9	HOUSING SET	<	1			
D10		INC. 18					
008	643566-3	BRUSH HOLDER 5X8		2			
009	191998-3	CARBON BRUSH CB-85		1			
010	850X32-9	M6002 NAME PLATE		1			
011	266326-2	TAPPING SCREW 4X18		7			
012	210029-0	BALL BEARING 608ZZ		1	*		
012-1	210046-0	BALL BEARING 608ZZ	O	1			
013	240066-0	FAN 52		1			
014	515849-0	ARMATURE ASS'Y 240V		1			
D10		INC. 12,13,15					
015	210030-5	BALL BEARING 627ZZ		1	*		
015-1	210050-9	BALL BEARING 627ZZ	O	1			
016	639358-6	FIELD 240V		1			
017	232210-3	LEAF SPRING		1			
018	183B08-2	HOUSING SET		1	*		
D10		INC. 7					
018-1	183B95-1	HOUSING SET	<	1	*		
D10		INC. 7					
018-2	183D53-9	HOUSING SET	<	1			
D10		INC. 7					
019	650551-9	SWITCH FA1-3/2BEZ-4		1			
020	687124-5	STRAIN RELIEF		1			
021	266326-2	TAPPING SCREW 4X18		2			
022	646147-2	CHOKE COIL		1			
023	645190-8	NOISE SUPPRESSOR		1			
024	682569-2	CORD GUARD 8-85		1			
025	665383-1	POWER SUPPLY CORD 1.0-2-2.0		1	*		
025-1	695556-2	POWER SUPPLY CORD 1.0-2-2.0	O	1	*		
025-2	665383-1	POWER SUPPLY CORD 1.0-2-2.0	O	1			

Please state Parts No. when your order.

Print Date 10/23/2023