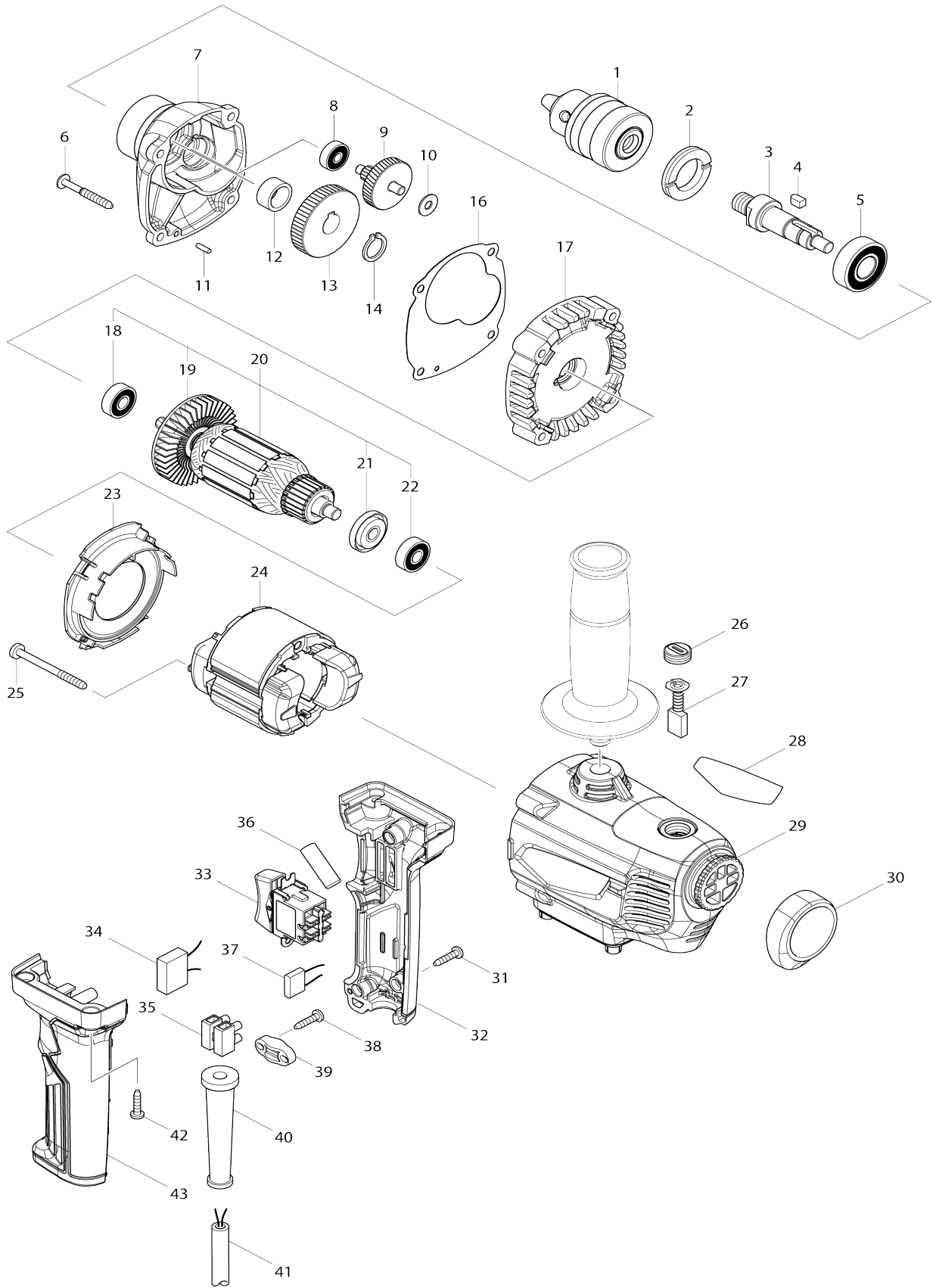


Model No.M6201 13MM(1/2")DRILL



Model No.M6201 13MM(1/2")DRILL

Item No.	Parts No.	Description	Interchangability	Q'ty	New/Old	Note1	Note2
001	766023-5	DRILL CHUCK S13		1			
002	285848-3	BEARING RETAINER 23-36		1			
003	326600-1	SPINDLE		1			
004	254211-1	KEY 5		1			
005	211487-3	BALL BEARING 6202DDW		1			
006	266211-9	TAPPING SCREW 5X40		4			
007	142841-9	GEAR HOUSING COMPLETE		1			
C10	263002-9	RUBBER PIN 4		1			
008	211499-6	BALL BEARING 626ZZ		1			
009	226028-2	GEAR COMPLETE 7-41		1			
010	253804-1	FLAT WASHER 6		1			
011	256180-2	PIN 3		1			
012	257018-4	RING 15		1	*		
012-1	257018-4	RING 15	O	1			
013	221261-1	SPUR GEAR 47		1			
014	961054-1	RETAINING RING S-14		1			
016	442207-6	GASKET		1			
017	142840-1	GEAR HOUSING COVER COMPLETE		1			
C10	263002-9	RUBBER PIN 4		1			
018	210029-0	BALL BEARING 608ZZ		1			
019	241850-6	FAN 60		1			
020	513919-9	ARMATURE ASS'Y 240V		1			
D10		INC. 18,19,21,22					
021	681644-1	INSULATION WASHER		1			
022	210029-0	BALL BEARING 608ZZ		1			
023	455343-9	BAFFLE PLATE		1			
024	594659-8	FIELD ASS'Y 240V		1			
C10	654020-2	RING TERMINAL		2			
C20	654501-6	CONNECTOR P-1.25		2	*		
C21	654485-8	PARALLEL SPLICE	>	2			
025	266418-7	TAPPING SCREW 5X55		2			
026	644500-6	HOLDER CAP 7X11		2	*		
026-1	643750-0	BRUSH HOLDER CAP 7-11	O	2			
027	191963-2	CARBON BRUSH CB-303		1			
028	850W10-3	M6201 NAME PLATE		1			
029	143121-6	MOTOR HOUSING COMPLETE		1			
C10	644501-4	BRUSH HOLDER 5X11		2			
030	424654-3	CAP		1			
031	266326-2	TAPPING SCREW 4X18		3			
032	183B03-2	SWITCH HANDLE SET		1	*		
D10		INC. 43					
032-1	187945-0	SWITCH HANDLE SET	<	1			
D10		INC. 43					
033	650732-5	SWITCH TN55		1			
034	645190-8	NOISE SUPPRESSOR		1			
035	654531-7	TERMINAL BLOCK 2P		1			
036	688165-4	LINE FILTER		1			

037	646755-9	RESISTOR		1	*		
037-1	646755-9	RESISTOR	O	1			
038	266326-2	TAPPING SCREW 4X18		2			
039	687124-5	STRAIN RELIEF		1			
040	682566-8	CORD GUARD 10		1			
041	665852-2	POWER SUPPLY CORD 1.0-2-2.0		1	*		
041-1	695454-0	POWER SUPPLY CORD 1.0-2-2.0	O	1	*		
041-2	665852-2	POWER SUPPLY CORD 1.0-2-2.0	O	1			
042	266326-2	TAPPING SCREW 4X18		4			
043	183B03-2	SWITCH HANDLE SET		1	*		
D10		INC. 32					
043-1	187945-0	SWITCH HANDLE SET	<	1			
D10		INC. 32					
A01	142088-5	GRIP 36 COMPLETE		1			
A02	418163-2	KEY HOLDER 10		1			
A03	763453-1	CHUCK KEY S13		1			

Please state Parts No. when your order.

Print Date 12/05/2023