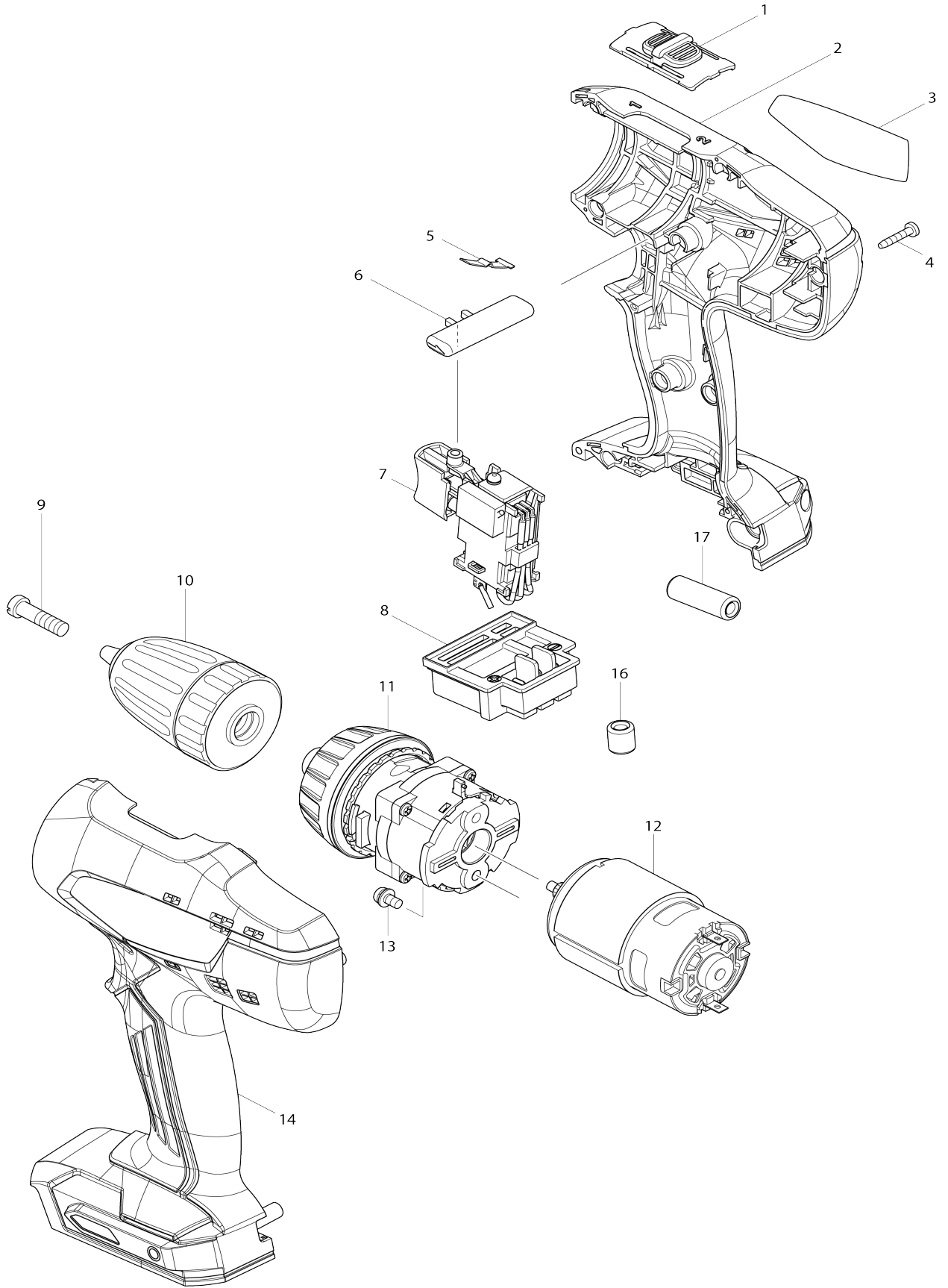


# Model No.M6301D CORDLESS DRIVER DRILL



**Model No.M6301D CORDLESS DRIVER DRILL**

Item No.	Parts No.	Description	Interchangability	Q'ty	New/Old	Note1	Note2
001	125927-4	SPEED CHANGE LEVER ASS'Y		1			
C10	231433-0	COMPRESSION SPRING 4		2			
002	183G21-0	HOUSING SET		1			
C10	252126-6	HEX. LOCK NUT M4-7		2			
D10		INC. 14					
003	852D03-2	M6301D NAME PLATE		1			
004	266429-2	TAPPING SCREW 3X16		9			
005	232182-2	LEAF SPRING		1			
006	452399-3	F/R CHANGE LEVER		1			
007	638861-4	SWITCH UNIT		1			
C10	654086-2	RECEPTACLE		2			
D10		INC. 16,17					
008	643862-9	TERMINAL		1			
009	251468-5	- FLAT HEAD SCREW M6X22		1			
010	763182-6	KEYLESS DRILL CHUCK 13		1			
011	140798-8	GEAR ASSEMBLY		1			
012	629834-8	DC MOTOR		1			
013	911108-4	PAN HEAD SCREW M4X8		2			
014	183G21-0	HOUSING SET		1			
C10	252126-6	HEX. LOCK NUT M4-7		2			
D10		INC. 2					
016	688164-6	LINE FILTER		1			
017	688165-4	LINE FILTER		1			
A01	821694-6	PLASTIC CARRYING CASE		1			
C10	452143-8	SHAFT		2			
C20	452432-1	SLIDE LATCH		2			
C30	806G57-9	MAKITA MT LOGO LABEL		1			
A02	812M52-5	M6301DWE PLASTIC CASE LABEL		2			
A03-1	198186-3	BATTERY BL1815G SET		2	*		
A03-2	198186-3	BATTERY BL1815G SET	<	2			
A04	***DC18WA	DC18WA BATTERY CHARGER		1			
A05	452652-7	BATTERY COVER		1			
F01-1	198186-3	BATTERY BL1815G SET	<	1	*		
F01-2	198186-3	BATTERY BL1815G SET	<	1			
F02-1	198186-3	BATTERY BL1815G SET	<	1	*		
F02-2	198186-3	BATTERY BL1815G SET	<	1			

Please state Parts No. when your order.

Print Date 10/23/2023