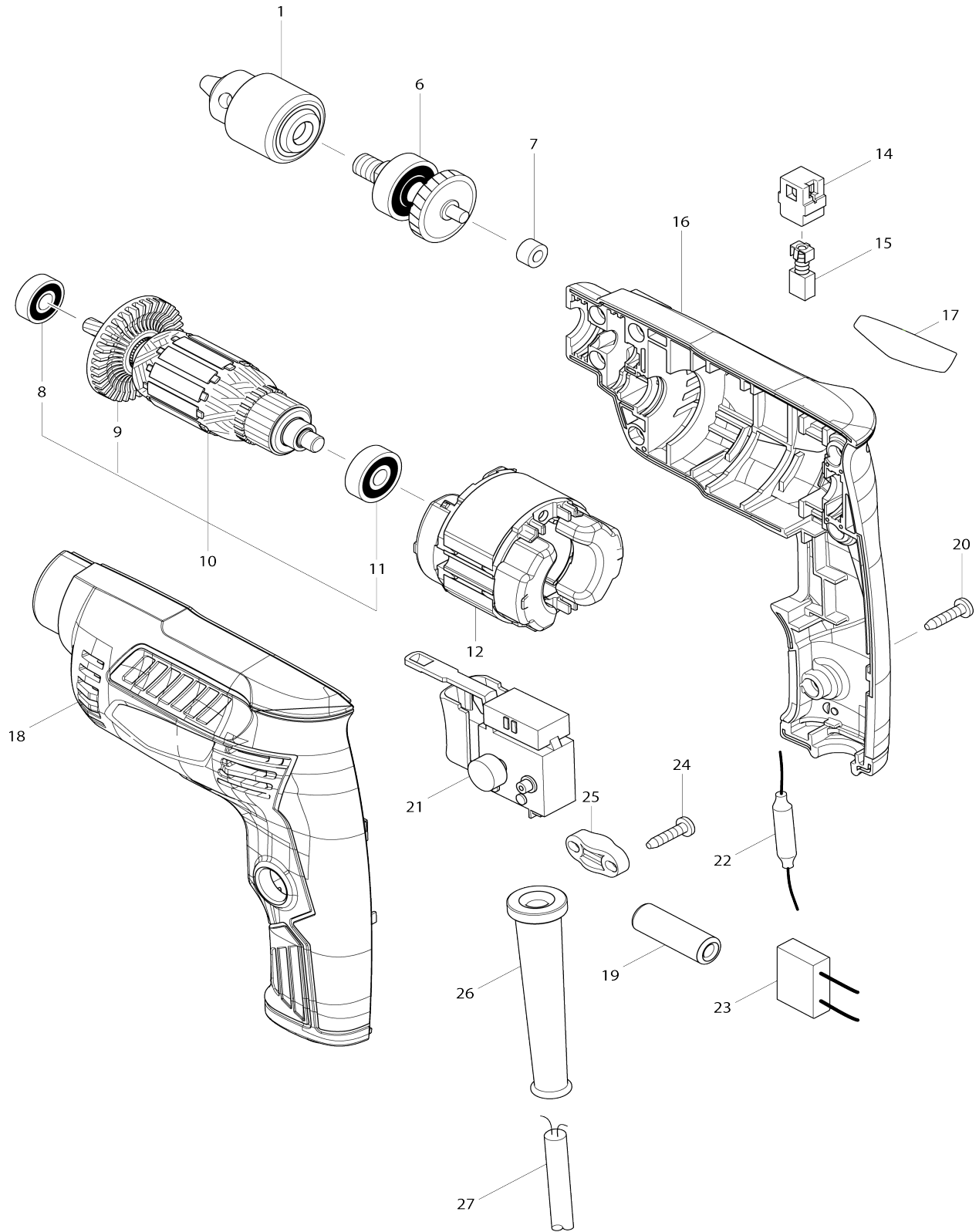


# Model No.M6501 6.5MM HIGH SPEED DRILL



**Model No.M6501 6.5MM HIGH SPEED DRILL**

Item No.	Parts No.	Description	Interchangability	Q'ty	New/Old	Note1	Note2
001	766021-9	DRILL CHUCK 6.5		1			
006	141951-9	GEAR COMPLETE		1			
007	214043-8	PLANE BEARING 5		1			
008	210062-2	BALL BEARING 607ZZ		1	*		
008-1	211382-7	BALL BEARING 607ZZ	O	1			
009	240142-0	FAN 44		1			
010	515879-1	ARMATURE ASS'Y 240V		1			
D10		INC. 8,9,11					
011	210030-5	BALL BEARING 627ZZ		1	*		
011-1	210050-9	BALL BEARING 627ZZ	O	1			
012	633819-8	FIELD 240V		1			
014	643566-3	BRUSH HOLDER 5X8		2			
015	191998-3	CARBON BRUSH CB-85		1			
016	183A99-7	HOUSING SET		1	*		
D10		INC. 18					
016-1	183B97-7	HOUSING SET	<	1	*		
D10		INC. 18					
016-2	183F70-1	HOUSING SET	O	1			
D10		INC. 18					
017	850V56-3	M6501 NAME PLATE		1			
018	183A99-7	HOUSING SET		1	*		
D10		INC. 16					
018-1	183B97-7	HOUSING SET	<	1	*		
D10		INC. 16					
018-2	183F70-1	HOUSING SET	O	1			
D10		INC. 16					
020	266326-2	TAPPING SCREW 4X18		7			
021	650551-9	SWITCH FA1-3/2BEZ-4		1			
022	646172-3	CHOKE COIL		1			
023	645218-2	NOISE SUPPRESSOR		1			
024	266326-2	TAPPING SCREW 4X18		2			
025	687124-5	STRAIN RELIEF		1			
026	682569-2	CORD GUARD 8-85		1			
027	665383-1	POWER SUPPLY CORD 1.0-2-2.0		1	*		
027-1	695556-2	POWER SUPPLY CORD 1.0-2-2.0	O	1	*		
027-2	665383-1	POWER SUPPLY CORD 1.0-2-2.0	O	1			
A01	418198-3	KEY HOLDER 9		1			
A02	763449-2	CHUCK KEY S6		1			
E01	688164-6	LINE FILTER		1			

Please state Parts No. when your order.

Print Date 21.11.2023