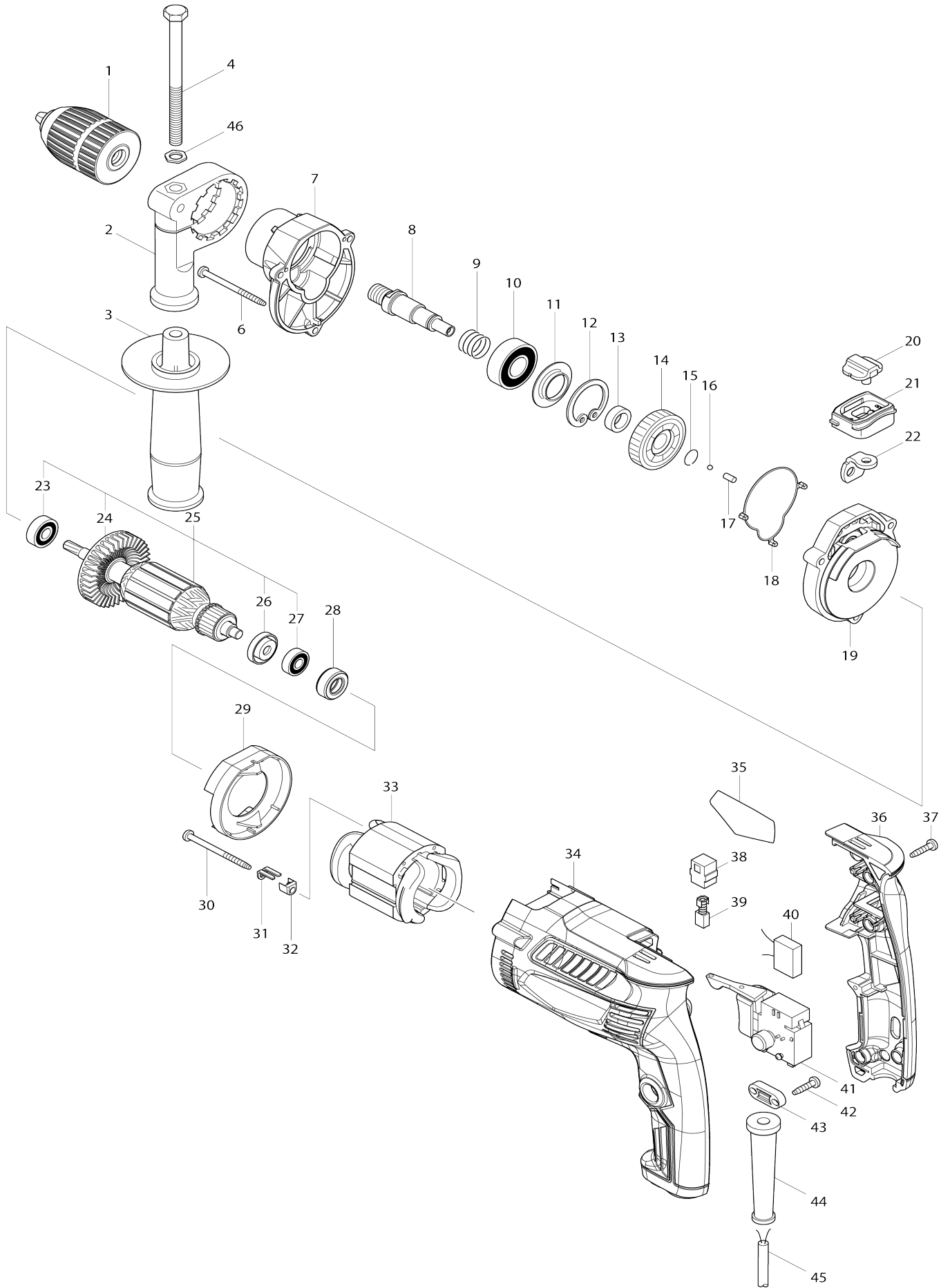


Model No.M8101 16MM HAMMER DRILL



Model No.M8101 16MM HAMMER DRILL

Item No.	Parts No.	Description	Interchangability	Q'ty	New/Old	Note1	Note2
001	196564-1	KEYLESS DRILL CHUCK		1	*		
001-1	196193-0	KEYLESS DRILL CHUCK	<	1			
002	417822-5	GRIP BASE		1			
003	153503-4	GRIP 36 COMPLETE		1			
004	265495-6	HEX. BOLT M8X110		1			
006	266361-0	TAPPING SCREW 4X30		3			
007	451907-7	GEAR HOUSING		1			
008	324223-9	SPINDLE		1	*		
008-1	327220-4	SPINDLE	S	1	*		
008-2	327376-3	SPINDLE	S	1			
009	233330-6	COMPRESSION SPRING 16		1			
010	211241-5	BALL BEARING 6202DDW		1	*		
010-1	210241-2	BALL BEARING 6202DDW	O	1			
011	257246-1	RING 19		1			
012	962153-2	RETAINING RING R-35		1			
013	257173-2	RING 12		1			
014	226589-2	HELICAL GEAR 37		1			
015	233938-6	RING SPRING 12		1			
016	216001-0	STEEL BALL 3.5		1			
017	256251-5	PIN 4		1			
018	424112-9	SEAL RING		1			
019	140426-5	GEAR HOUSING COVER COMPLETE		1	*		
019-1	140G46-7	GEAR HOUSING COVER COMPLETE	S	1	*		
019-2	140M11-2	GEAR HOUSING COVER COMPLETE	S	1			
020	417819-4	CHANGE LEVER		1			
021	453921-9	LEVER CASE		1	*		
021-1	451908-5	LEVER CASE	<	1			
022	345944-0	CHANGE PLATE		1			
023	211031-6	BALL BEARING 608LLB		1			
024	241869-5	FAN 55		1			
025	510164-7	ARMATURE ASSEMBLY 240V		1			
D10		INC. 23,24,26,27					
026	681636-0	INSULATION WASHER		1			
027	210062-2	BALL BEARING 607ZZ		1			
028	421808-3	RUBBER RING 19		1			
029	450620-4	BAFFLE PLATE		1			
030	266415-3	TAPPING SCREW 4X55		2	*		
030-1	266467-4	TAPPING SCREW 4X50	S	2			
031	344871-8	RETAINER		2			
032	417237-6	INSULATION COVER		2	*		
033	626604-6	FIELD 240V		1	*		
033-1	621A39-2	FIELD	<	1			
034	455860-9	MOTOR HOUSING		1	*		
034-1	458780-6	MOTOR HOUSING	O	1			
035	850X52-3	M8101 NAME PLATE		1			

036	141709-6	HANDLE COVER COMPLETE		1	*		
C10	263002-9	RUBBER PIN 4		2	*		
036-1	140427-3	HANDLE COVER COMPLETE	<	1			
C10	263002-9	RUBBER PIN 4		2			
037	266326-2	TAPPING SCREW 4X18		4			
038	643566-3	BRUSH HOLDER 5X8		2			
039	191998-3	CARBON BRUSH CB-85		1			
040	645200-1	NOISE SUPPRESSOR		1			
041	650586-0	SWITCH DGQ-1104H		1			
042	266326-2	TAPPING SCREW 4X18		2			
043	687124-5	STRAIN RELIEF		1			
044	682569-2	CORD GUARD 8-85		1			
045	665383-1	POWER SUPPLY CORD 1.0-2-2.0		1	*		
045-1	695556-2	POWER SUPPLY CORD 1.0-2-2.0	O	1	*		
045-2	665383-1	POWER SUPPLY CORD 1.0-2-2.0	O	1			
046	345280-4	HEX. WASHER		1			
A01	321144-6	DEPTH GAUGE		1			
A04	806N78-3	M8101K PLASTIC CASE LABEL		2			
A05	821656-4	PLASTIC CASE		1			
C10	452432-1	SLIDE LATCH		2			
C20	806G57-9	MAKITA MT LOGO LABEL		1			
A04	806N79-1	M8101KSP PLASTIC CASE LABEL		1			
A05	197194-1	TOOL BOX		1			

Please state Parts No. when your order.

Print Date 10/23/2023