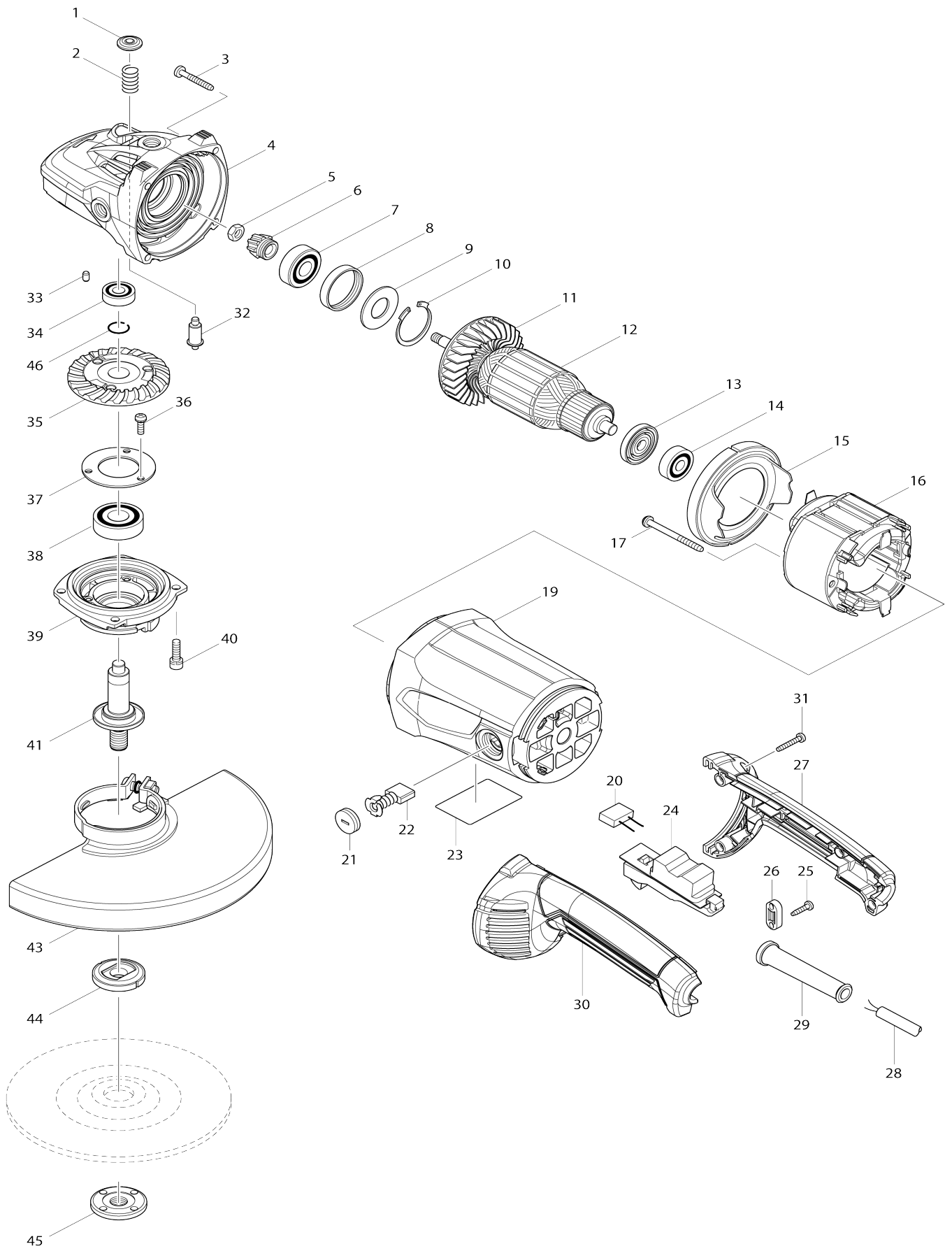


# Model No.M9001 230MM ANGLE GRINDER



# Model No.M9001 230MM ANGLE GRINDER

Item No.	Parts No.	Description	Interchangability	Q'ty	New/Old	Note1	Note2
001	419133-4	PIN CAP		1			
002	233292-8	COMPRESSION SPRING 12		1			
003	266373-3	TAPPING SCREW 5X35		4			
004	142753-6	GEAR HOUSING COMPLETE		1			
D10		INC. 33					
005	252194-9	HEX. NUT M8		1			
006	227490-4	SPIRAL BEVEL GEAR 12		1			
007	210104-2	BALL BEARING 6301DDW		1			
008	262085-6	RUBBER RING 38		1			
009	267299-2	FLAT WASHER 20		1			
010	962211-4	RETAINING RING R-42		1			
011	240081-4	FAN 80		1			
012	516948-1	ARMATURE ASS'Y 220-240V		1			
D10		INC. 11,13,14					
013	681630-2	INSULATION WASHER		1			
014	210070-3	BALL BEARING 6200ZZ		1			
015	419135-0	BAFFLE PLATE		1			
016	596279-4	FIELD ASS'Y 240V		1			
C10	654197-3	RING TERMINAL		2			
C20	654502-4	CONNECTOR P-2		2	*		
C21	654486-6	PARALLEL SPLICE	>	2			
017	266352-1	TAPPING SCREW 5X65		2			
019	143118-5	MOTOR HOUSING COMPLETE		1			
C10	643564-7	BRUSH HOLDER		2			
020	645240-9	NOISE SUPPRESSOR		1			
021	643700-5	BRUSH HOLDER CAP 7-18		2			
022	191957-7	A.C. CARBON BRUSH CB-204		1			
023	850W54-3	M9001 NAME PLATE		1			
024	651183-5	SWITCH HY44B		1			
025	266326-2	TAPPING SCREW 4X18		2			
026	687124-5	STRAIN RELIEF		1			
027	188895-2	HANDLE SET		1			
D10		INC. 30					
028	665852-2	POWER SUPPLY CORD 1.0-2-2.0		1	*		
028-1	695454-0	POWER SUPPLY CORD 1.0-2-2.0	O	1	*		
028-2	665852-2	POWER SUPPLY CORD 1.0-2-2.0	O	1			
029	682540-6	CORD GUARD 9.3-90		1			
030	188895-2	HANDLE SET		1			
D10		INC. 27					
031	266374-1	TAPPING SCREW 4X25		4			
032	256491-5	SHOULDER PIN 5		1			
033	263002-9	RUBBER PIN 4		1			
034	210067-2	BALL BEARING 6000ZZ		1	*		
034-1	210199-5	BALL BEARING 6000ZZ	O	1			
035	227491-2	SPIRAL BEVEL GEAR 53 A		1			
036	265120-9	PAN HEAD SCREW M5X16		3			
037	285724-1	BEARING RETAINER 50		1			

038	211285-5	BALL BEARING 6203DDW		1	*		
038-1	210239-9	BALL BEARING 6203DDW	O	1			
039	318617-8	BEARING BOX		1			
040	265541-5	HEX. SOCKET HEAD BOLT M6X22		4			
041	158209-9	SPINDLE COMPLETE		1			
043	122892-8	WHEEL COVER 230K ASS'Y		1	*		
C10	213017-6	O RING 6		1	*		
C20	265198-2	+PAN HEAD SCREW M8X25		1	*		
043-1	122892-8	WHEEL COVER 230K ASS'Y	O	1	*		
C10	213017-6	O RING 6		1	*		
C20	265198-2	+PAN HEAD SCREW M8X25		1	*		
043-2	141P33-3	WHEEL COVER 230K COMPLETE	<	1			
C10	213017-6	O RING 6		1			
C20	265198-2	+PAN HEAD SCREW M8X25		1			
C30	8050A1-8	CAUTION LABEL		1			
044	224415-9	INNER FLANGE 42		1	*		
044-1	224490-5	INNER FLANGE 14-45	O	1			
045	224543-0	LOCK NUT 14-45		1			
046	233946-7	RING SPRING 15		1			
047	892810-7	CLEAR LABEL		1			
A01	152539-0	GRIP 36 COMPLETE		1			
A02	782407-9	LOCK NUT WRENCH 35		1	*		
A02-1	782034-2	LOCK NUT WRENCH 35	O	1			
A05	122913-6	WHEEL COVER 230CK ASSEMBLY		1			

Please state Parts No. when your order.

Print Date 10/25/2023