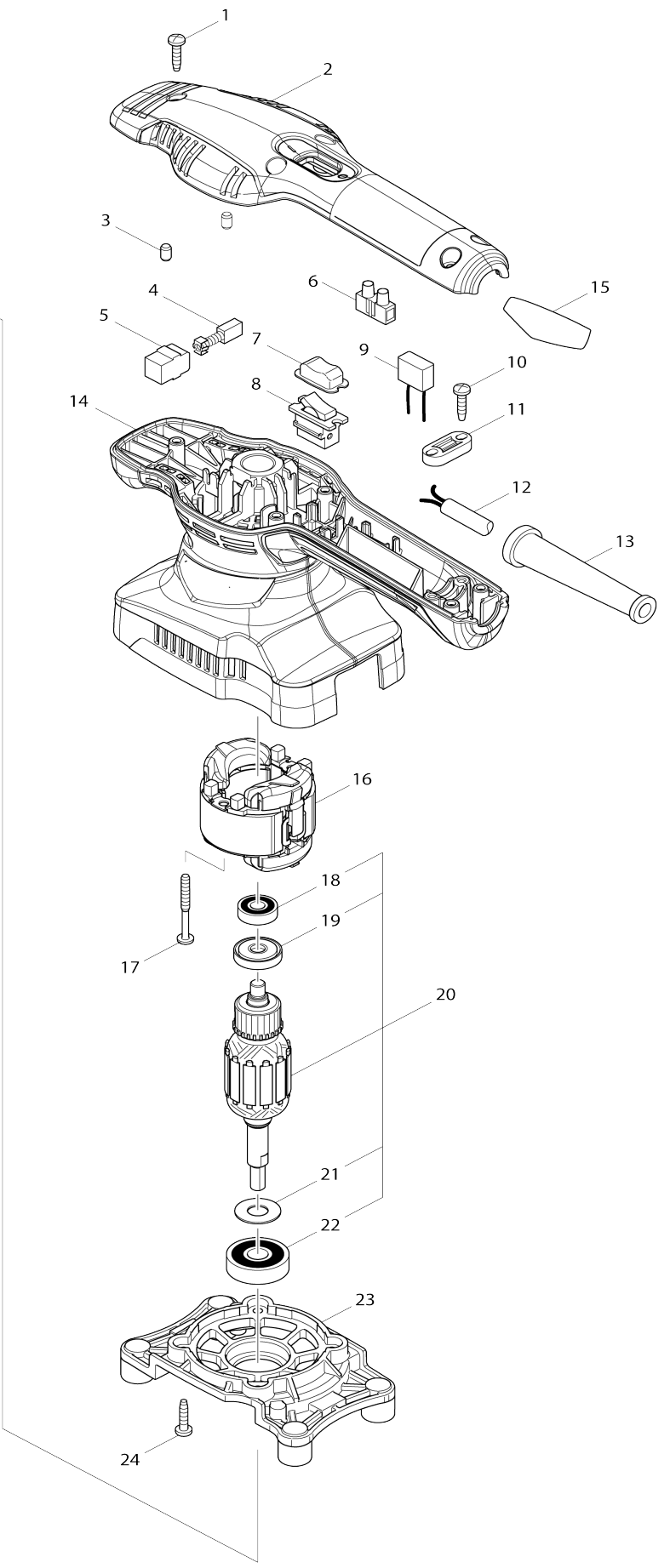
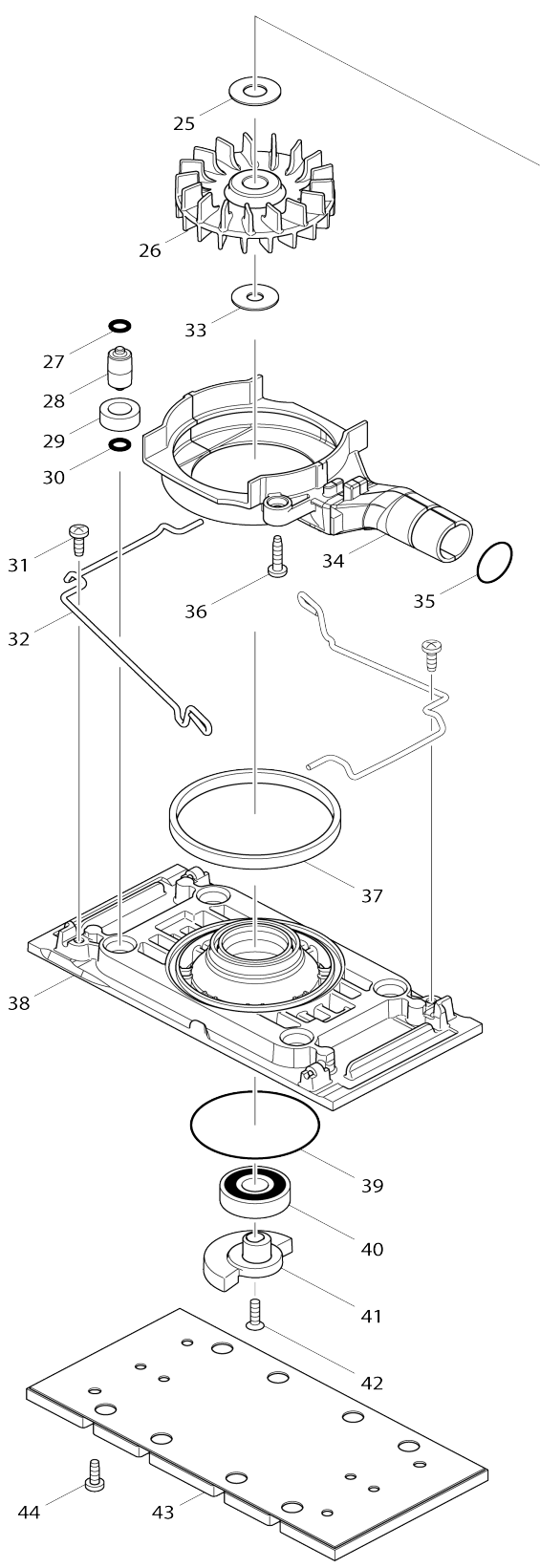


Model No.M9203 FINISHING SANDER



Model No.M9203 FINISHING SANDER

Item No.	Parts No.	Description	Interchangability	Q'ty	New/Old	Note1	Note2
001	266326-2	TAPPING SCREW 4X18		5			
002	451927-1	TOP COVER		1			
003	263002-9	RUBBER PIN 4		2			
004	191627-8	CARBON BRUSH CB-64		1			
005	643552-4	BRUSH HOLDER 5-8		2			
006	654532-5	TERMINAL BLOCK 1P		1			
007	424086-4	SWITCH COVER		1			
008	651527-9	SWITCH		1			
009	645228-9	NOISE SUPPRESSOR		1			
010	266326-2	TAPPING SCREW 4X18		2			
011	687124-5	STRAIN RELIEF		1			
012	665383-1	POWER SUPPLY CORD 1.0-2-2.0		1	*		
012-1	695556-2	POWER SUPPLY CORD 1.0-2-2.0	O	1	*		
012-2	665383-1	POWER SUPPLY CORD 1.0-2-2.0	O	1			
013	682569-2	CORD GUARD 8-85		1			
014	456555-7	MOTOR HOUSING		1			
015	852B68-2	M9203 NAME PLATE		1			
016	593739-7	FIELD ASS'Y 220-240V		1			
C10	654409-4	TERMINAL VR1.25-3.5LB		2			
017	266560-4	TAPPING SCREW 4X40		2			
018	210062-2	BALL BEARING 607ZZ		1			
019	681652-2	INSULATION WASHER		1			
020	515799-9	ARMATURE ASS'Y 240V		1			
D10		INC. 18,19,21,22					
021	253180-3	FLAT WASHER 10		1			
022	211087-9	BALL BEARING 6200DDW		1			
023	451928-9	BEARING BOX		1			
024	266326-2	TAPPING SCREW 4X18		4			
025	253180-3	FLAT WASHER 10		1			
026	241677-4	FAN 68		1			
027	213983-7	O RING 4		4			
028	318151-8	FOOT		4			
029	424023-8	SPONGE SLEEVE 9		4			
030	213983-7	O RING 4		4			
031	266427-6	TAPPING SCREW 4X12		2			
032	324873-0	LEVER		2			
033	267239-0	FLAT WASHER 7		1			
034	451930-2	FAN GUIDE		1			
035	213315-8	O RING 19		1			
036	266326-2	TAPPING SCREW 4X18		2			
037	423470-0	SPONGE 6X101X3		1	*		
037-1	423470-0	SPONGE 6X101X3	O	1			
038	451929-7	BASE		1			
039	213656-2	O RING 53		1			
040	211228-7	BALL BEARING 6202DDW		1			
041	318622-5	BALANCER		1			
042	912117-6	COUNTERSUNK HEAD SCREW M4 X12		1			

043	140441-9	PAD COMPLETE		1			
044	266427-6	TAPPING SCREW 4X12		4			
A01	143627-4	DUST BAG COMPLETE		1			
A02	451271-6	PUNCH PLATE		1			
A03	A-31267	ABRASIVE PAPER 93X228 #120		1			

Please state Parts No. when your order.

Print Date 10/25/2023