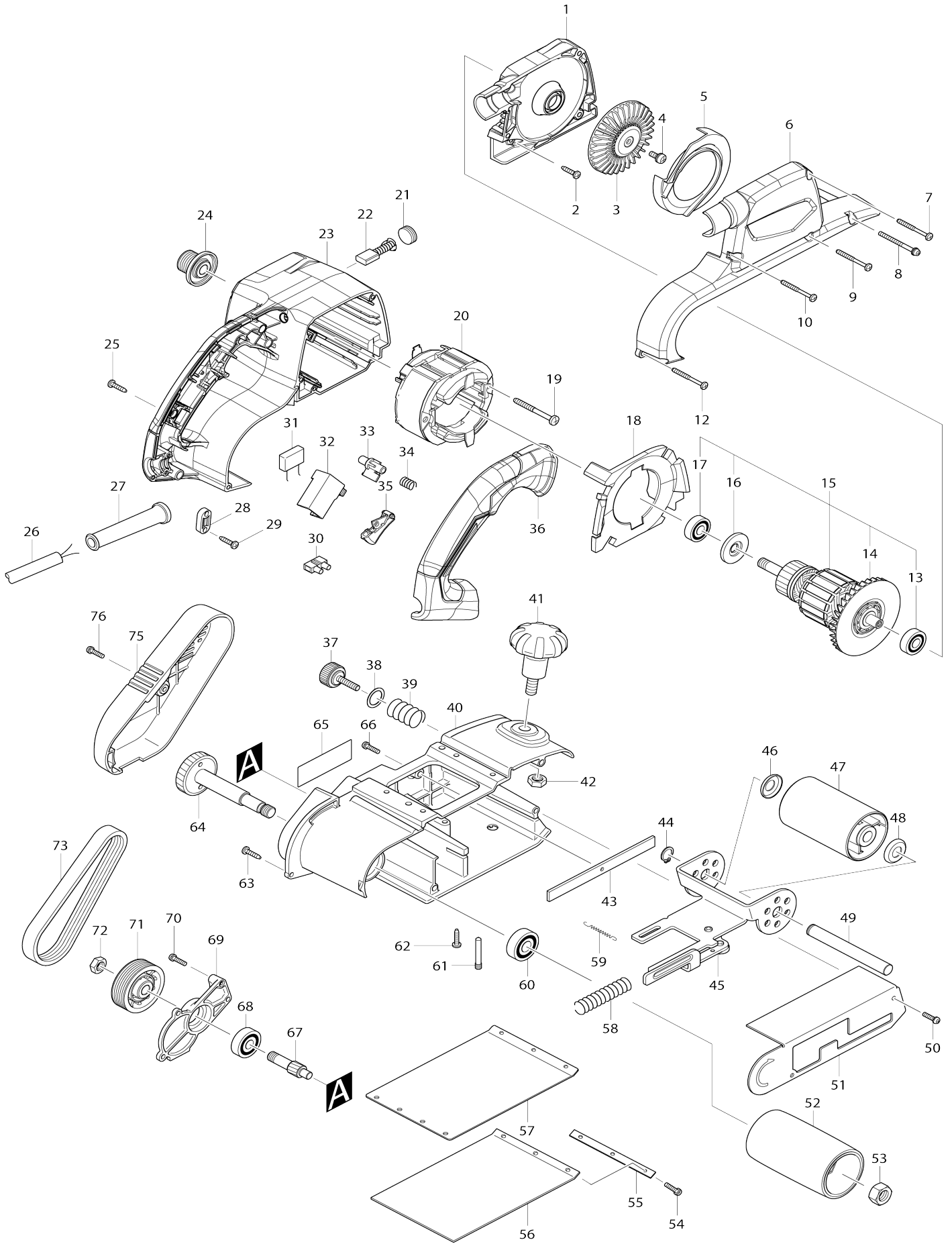


Model No.M9400 BELT SANDER



Model No.M9400 BELT SANDER

Item No.	Parts No.	Description	Interc hang eabilit y	Q'ty	New/ Old	Note1	Note2
001	318921-5	DUST COLLECTOR BRACKET		1			
002	266326-2	TAPPING SCREW 4X18		2			
003	241662-7	FAN 80		1			
004	265170-4	+PAN HEAD SCREW M5X12		1			
005	419580-9	SEPARATE		1			
006	319296-5	DUST COLLECTOR COVER		1			
007	266560-4	TAPPING SCREW 4X40		1			
008	265169-9	+PAN HEAD SCREW M4X45		1			
009	266560-4	TAPPING SCREW 4X40		1			
010	266560-4	TAPPING SCREW 4X40		1			
012	266560-4	TAPPING SCREW 4X40		1			
013	211480-7	BALL BEARING 6000ZZ		1			
014	240013-1	FAN 84		1			
015	510292-8	ARMATURE ASS'Y 240V		1			
D10		INC. 13,14,16,17					
016	681649-1	INSULATION WASHER		1			
017	211480-7	BALL BEARING 6000ZZ		1			
018	453968-3	BAFFLE PLATE		1			
019	266397-9	TAPPING SCREW BIND 5X50		2			
020	596298-0	FIELD ASS'Y 220-240V		1			
C10	654220-4	RING TERMINAL		2	*		
C11	654449-2	RING TERMINAL	O	2			
C20	654501-6	CONNECTOR P-1.25		2	*		
C21	654485-8	PARALLEL SPLICE	>	2			
021	643650-4	BRUSH HOLDER CAP 6.5-13.5		2	*		
021-1	643650-4	BRUSH HOLDER CAP 6.5-13.5	O	2			
022	181044-0	CARBON BRUSH CB-153		1			
023	141761-4	MOTOR HOUSING COMPLETE		1	*		
C10	643653-8	BRUSH HOLDER 6.5-13.5		2	*		
023-1	141760-6	MOTOR HOUSING COMPLETE	<	1			
C10	643653-8	BRUSH HOLDER 6.5-13.5		2			
024	222168-4	V-PULLEY 6-23		1			
025	266326-2	TAPPING SCREW 4X18		4			
026	665852-2	POWER SUPPLY CORD 1.0-2-2.0		1	*		
026-1	695454-0	POWER SUPPLY CORD 1.0-2-2.0	O	1	*		
026-2	665852-2	POWER SUPPLY CORD 1.0-2-2.0	O	1			
027	682540-6	CORD GUARD 9.3-90		1			
028	687124-5	STRAIN RELIEF		1			
029	266326-2	TAPPING SCREW 4X18		2			
030	654532-5	TERMINAL BLOCK 1P		1			
031	645240-9	NOISE SUPPRESSOR		1			
032	650545-4	SWITCH TGA115CT-2		1			
033	418871-5	LOCK ON BUTTON		1			
034	233423-9	COMPRESSION SPRING 9		1			
035	418873-1	SWITCH LEVER		1			
036	453967-5	HANDLE COVER		1	*		
036-1	453965-9	HANDLE COVER	<	1			

037	265763-7	THUMB SCREW M6X25		1		
038	267356-6	FLAT WASHER 16		1		
039	231225-7	COMPRESSION SPRING 16		1		
040	158070-4	FRAME COMPLETE		1		
041	271325-1	KNOB 55		1		
042	252172-9	HEX. NUT M10		1		
043	345726-0	EDGE SLIDER		1		
044	961052-5	RETAINING RING (EXT) S-12		1		
045	163477-1	TENSION ROLLER ARM		1		
046	253922-5	CUP WASHER 12		1		
047	142719-6	TENSION ROLLER COMPLETE		1		
C10	214116-7	PLANE BEARING 12		2		
C20	424614-5	SPONGE SHEET 42-42		1		
048	253922-5	CUP WASHER 12		1		
049	323829-0	TENSION ROLLER SHAFT		1		
050	265112-8	+PAN HEAD SCREW M4X18		2		
051	344622-9	SAFETY COVER		1		
052	162248-3	DRIVING ROLLER		1		
053	252087-0	HEX. NUT M12-19		1		
054	265112-8	+PAN HEAD SCREW M4X18		3		
055	344623-7	STRAP WASHER		1		
056	424057-1	CARBON PLATE		1		
057	424058-9	RUBBER PLATE		1		
058	233235-0	COMPRESSION SPRING 12		1		
059	231819-8	TENSION SPRING 4		1		
060	211477-6	BALL BEARING 6201ZZ		1		
061	321980-0	SUPPORT PIN		1		
062	266326-2	TAPPING SCREW 4X18		4		
063	266326-2	TAPPING SCREW 4X18		1		
064	158072-0	HELICAL GEAR 42 COMPLETE		1		
065	850W26-8	M9400 NAME PLATE		1		
066	265112-8	+PAN HEAD SCREW M4X18		1		
067	226634-3	HELICAL GEAR 10		1		
068	211476-8	BALL BEARING 6200ZZ		1		
069	318074-0	GEAR COVER		1		
070	265112-8	+PAN HEAD SCREW M4X18		3		
071	222169-2	V-PULLEY 6-52.9		1		
072	252172-9	HEX. NUT M10		1		
073	225091-2	POLY V-BELT 6-355		1		
075	419581-7	BELT COVER		1		
076	265112-8	+PAN HEAD SCREW M4X18		1		
A01	123328-0	DUST BAG ASS'Y		1		
C10	419876-8	FASTENER		1		
A02	345729-4	STEP		1		
A03	424057-1	CARBON PLATE		1		
A04	794135-4	ABRASIVE BELT 100X610 WA80		1		

Please state Parts No. when your order.

Print Date 10/25/2023