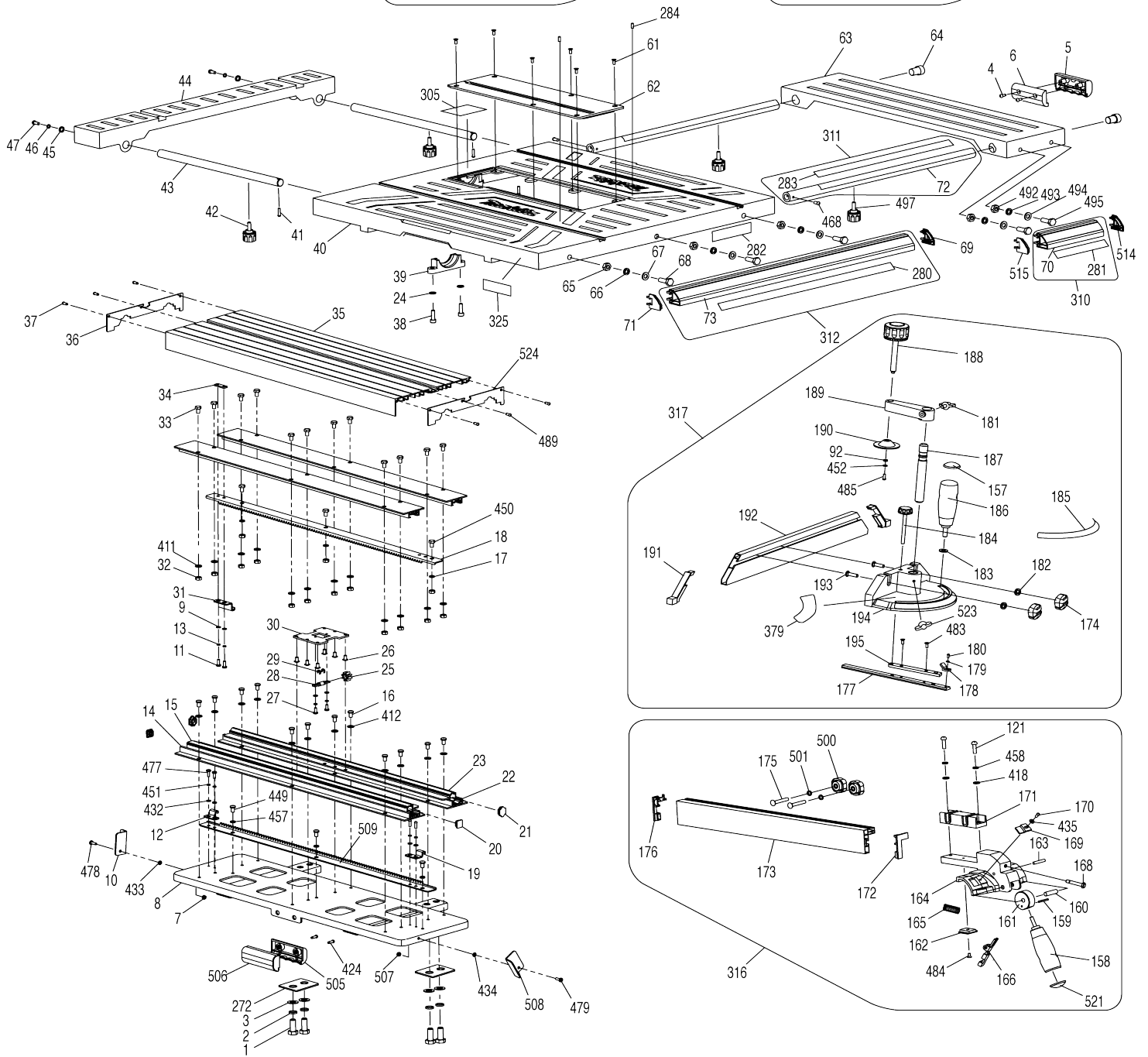
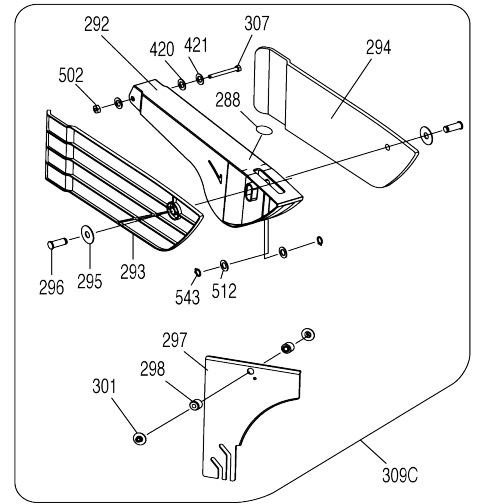
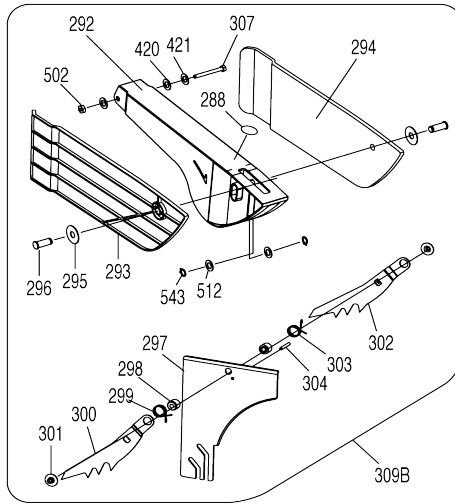
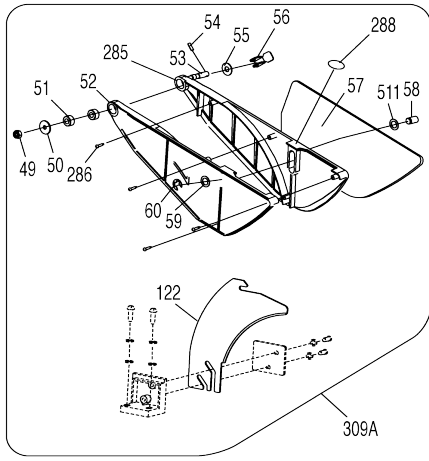
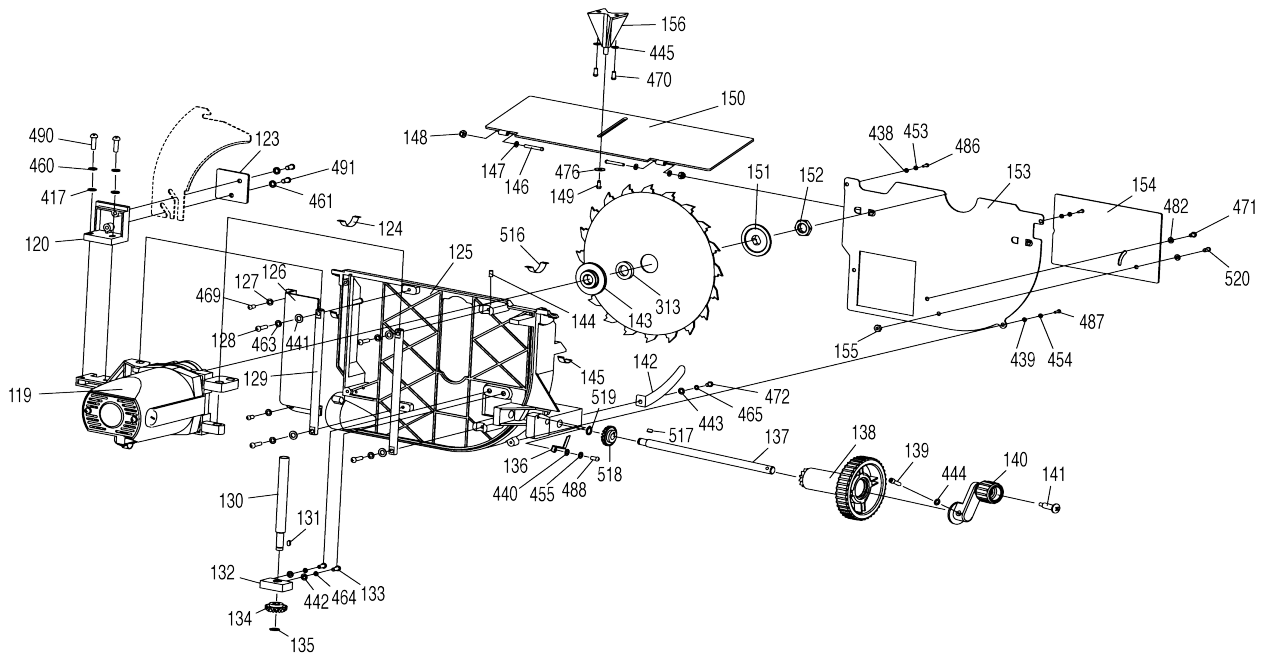
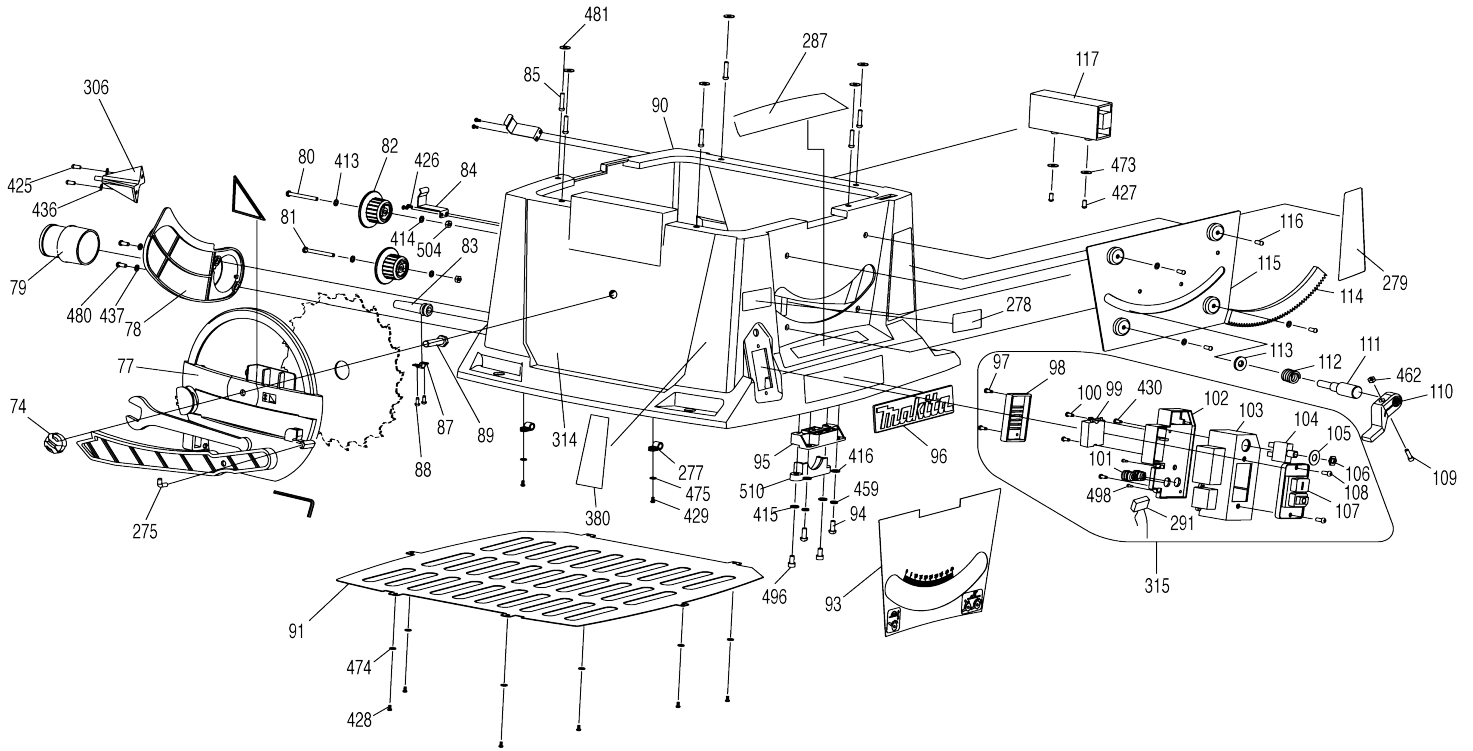


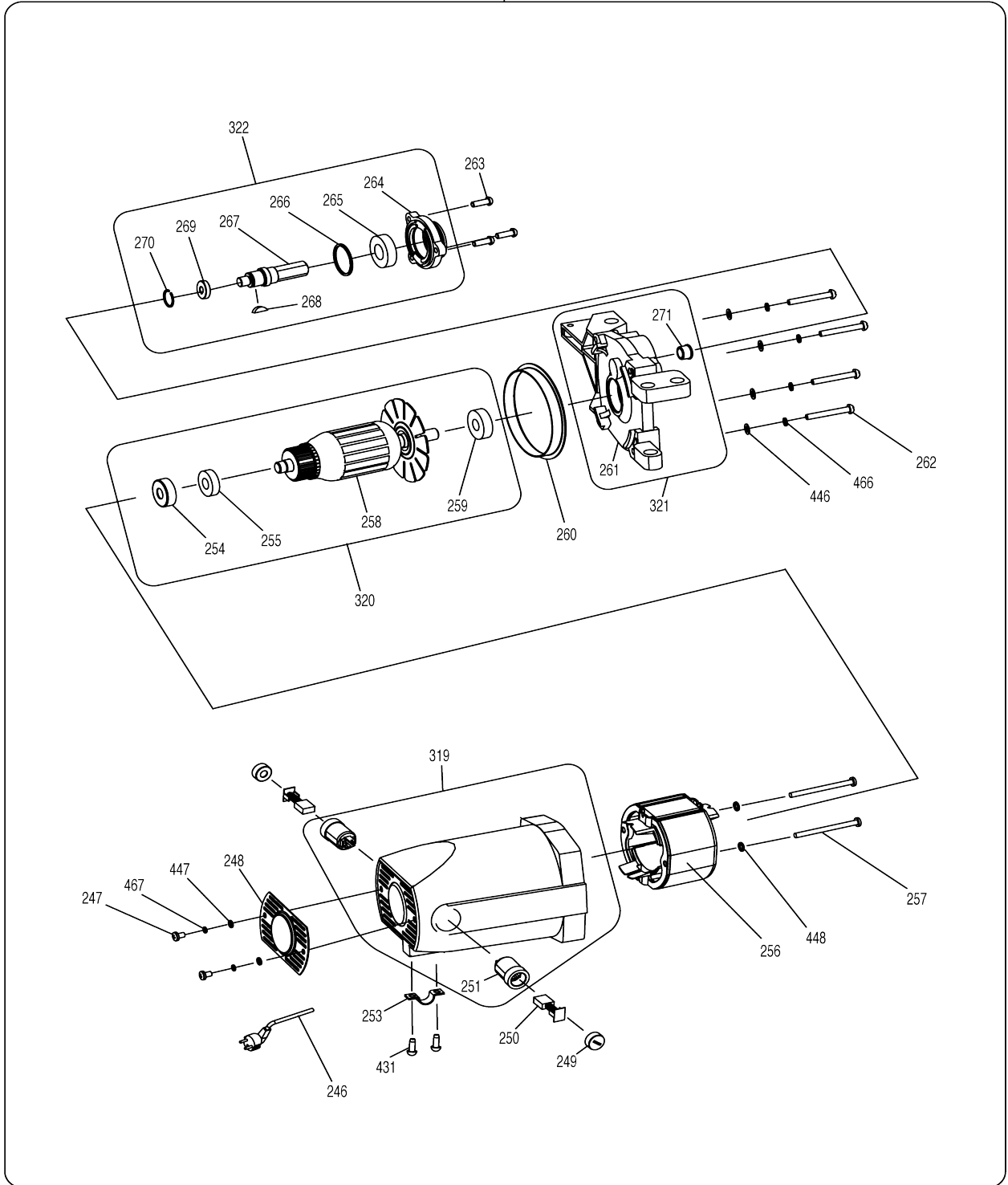
Model No. MLT100 TABLE SAW 255MM



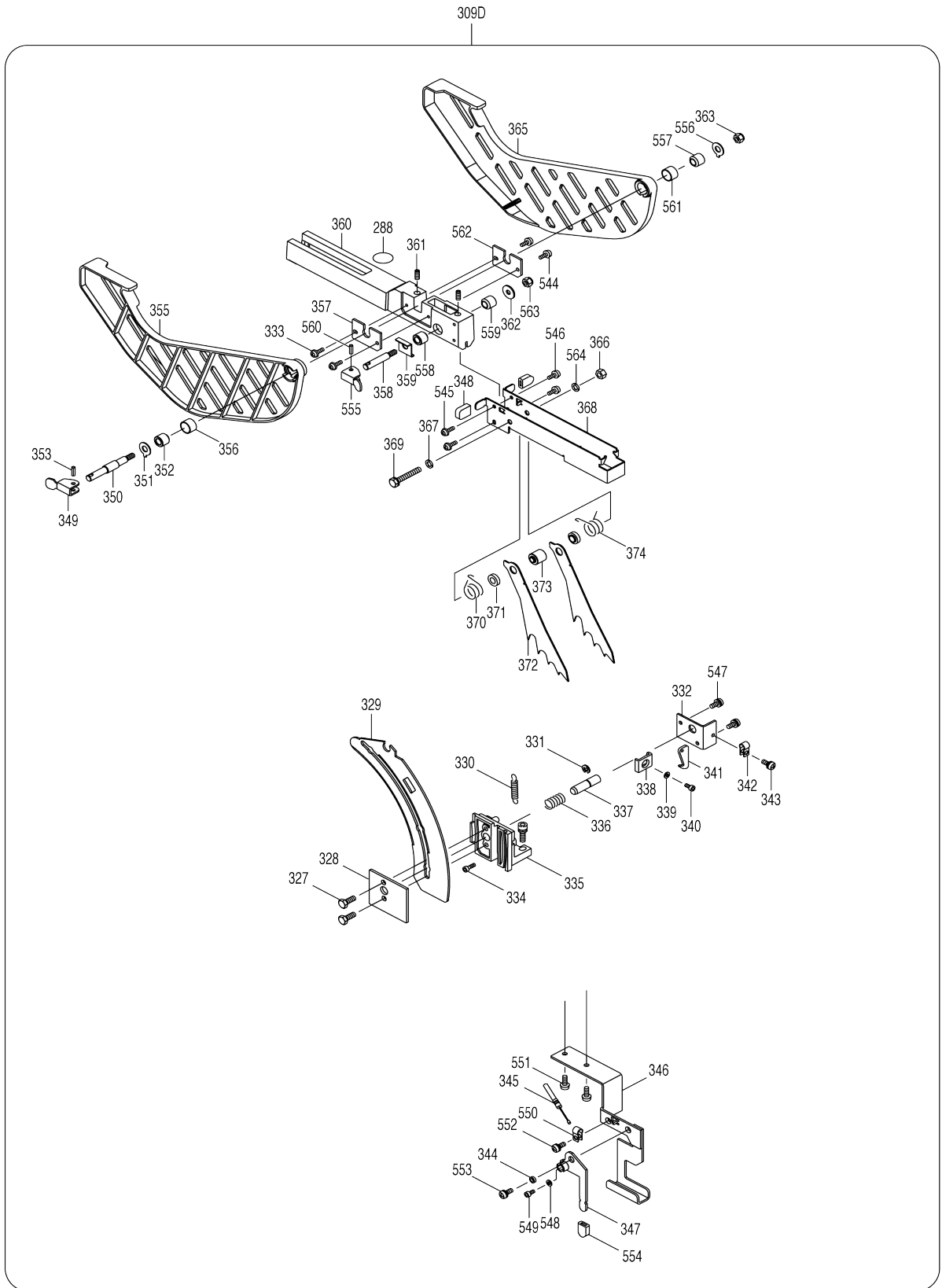
Model No.MLT100 TABLE SAW 255MM



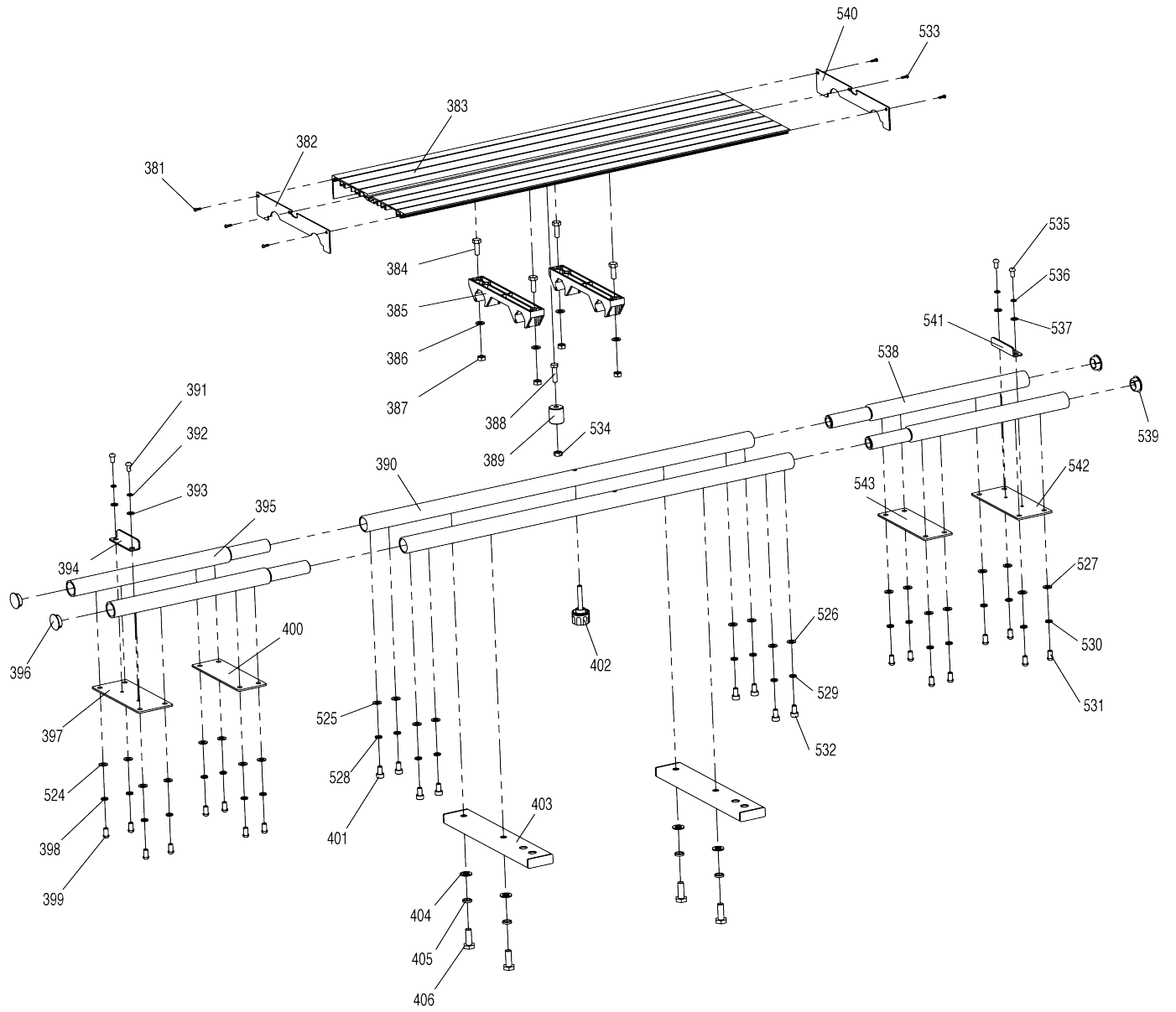
119



Model No.MLT100 TABLE SAW 255MM



Model No.MLT100 TABLE SAW 255MM



Model No.MLT100 TABLE SAW 255MM

Item No.	Parts No.	Description	Interchangability	Q'ty	New/Old	Note1	Note2
001	JM27000001	HEX BOLT M10X35		4			
002	JM27000002	SPRING WASHER 10		4			
003	JM27000003	FLAT WASHER 10		4			
004	JM27000004	SELF TAPPING SCREW ST3.9X12		2			
005	JM27000005	GRIP (OUTSIDE)		1			
006	JM27000006	GRIP (INSIDE)		1			
007	JM27000007	HEX LOCK NUT M4		1			
008	JM27000008	SLIDE TABLE BASE		1			
009	JM27000009	FLAT WASHER 4		2			
010	JM27000010	SLIDE TABLE STOPPER		1			
011	JM27000011	PAN HEAD SCREW M4X12		2			
012	JM27000012	SLIDE LIMITER LOWER REAR		1			
013	JM27000013	SPRING WASHER 4		2			
014	JM27000014	SQUARE SLIDER RAIL OUTSIDE		2			
015	JM27000015	SLIDING FLAT RAIL		1	*		
016	JM27000016	PAN HEAD SCREW M6X10		1	*		
016-1	JM27000016	PAN HEAD SCREW M6X10	<	12			
017	JM27000017	SPRING WASHER 6		3	*		
017-1	JM27000024	FLAT WASHER 6	X	3			
018	JM27000018	RACK FOR SLIDE TABLE		1			
019	JM27000019	SLIDE LIMITER LOWER FRONT		1			
020	JM27000020	SQUARE SLIDER RAIL END CAP		2			
021	JM27000021	V-SLIDER RAIL END CAP		2			
022	JM27000022	V-SLIDER RAIL OUTSIDE		2			
023	JM27000023	SLIDING RAIL		1	*		
024	JM27000024	FLAT WASHER 6		2			
025	JM27000025	PINION GEAR FOR SLIDE TABLE		1			
026	JM27000026	RIVET 5X9		6	*		
027	JM27000027	PAN HEAD SCREW M4X10		2			
028	JM27000028	PINION GEAR AXLE		1			
029	JM27000029	E SHAPE RETAINING RING 6		1	*		
029-1	JM27000029	E SHAPE RETAINING RING 6	<	2			
030	JM27000030	SLIDING LIMITED PLATE		1	*		
031	JM27000031	SLIDE LIMITER LOWER REAR		1			
032	JM27000032	HEX NUT M6		12			
033	JM27000033	HEX BOLT M6X10		12			
034	JM27000034	PLATE NUT M4		1			
035	JM27000035	SLIDING TABLE		1			
036A_	JM27000036	SLIDING TABLE COVER		1			
037	JM27000037	TAPPING SCREW ST3.9X8		3			
038	JM27000038	PAN HEAD SCREW M6X16		2			
039	JM27000039	FIX BRACKET FOR BLADE CASE		1			
040A_	JM27000040	MAIN TABLE A		1	*		
040A1	JM27000430	MAIN TABLE A	<	1	*		
040A2	JM00000002	MAIN TABLE A	<	1			
041	JM27000042	PAN HEAD SCREW M5X10		2	*		
041-1	JM27000167	PAN HEAD SCREW M5X12	X	2			

042	JM27000043	KNOB BOLT M6X20		2		
043	JM27000044	SLIDE SHAFT 330		2		
044A_	JM27000045	REAR EXTENSION TABLE		1	*	
044A1	JM27000046	REAR EXTENSION TABLE ASSEMBLY	O	1	*	
044A2	JM00000262	REAR EXTENSION TABLE	X	1		
045	JM27000047	WASHER 5 (L)		2		
046	JM27000048	SPRING WASHER 5		2		
047	JM27000049	CROSS HEAD SCREW M5X14		2	*	
047-1	JM27000167	PAN HEAD SCREW M5X12	X	2		
049	JM27000051	HEX LOCK NUT M6		1		
050	JM27000055	WASHER 6 (21.5)		1		
051	JM27000056	FIX PLATE		2		
052	JM27000057	LEFT GUARD		1		
053	JM27000058	CONNECTION BOLT		1		
054	JM27000059	PIN 4X12		1		
055	JM27000060	WASHER		1		
056	JM27000061	QUICK FIXING LEVER		1		
057	JM27000062	SIDE PROTECTION PLATE		1		
058	JM27000063	PIN 10X21.5		1		
059	JM27000064	FLAT WASHER 10		1		
060	JM27000065	RING 10		1		
061	JM27000066	FLAT HEAD SCREW M4X8		6		
062A_	JM27000067	TABLE INSERT (PLASTIC)		1		
063A_	JM27000068	RIGHT EXTENSION TABLE		1		
064	JM27000069	HEX SOCKET HEAD BOLT M14X20		2		
065	JM27000070	HEX NUT M8		3		
066	JM27000071	SPRING WASHER 8		3		
067	JM27000072	FLAT WASHER 8		3		
068	JM27000073	SQUARE NECK BOLT M8X25		3		
069	JM27000074	FRONT RAIL END CAP RIGHT		1		
070	JM27000075	FRONT RAIL FOR RIGHT EX-TABLE		1		
071	JM27000078	FRONT RAIL END CAP LEFT		1		
072	JM27000079	SLIDING BAR A		2	*	
072-1	JM27000425	SLIDE PIPE 630	X	2		
073	JM27000082	FRONT RAIL		1		
074	JM27000085	KNOB NUT M10		1		
077A_	JM27000088	FIX PLATE		1	*	
077A1	JM00000147	TOOL CASE ASSY	<	1		
078	JM27000089	SAW DUST OUTLET		1		
079	JM27000090	CUFFS 57-45		1		
080	JM27000091	HEX BOLT M6X65		1		
081	JM27000092	HEX BOLT M6X55		1		
082	JM27000093	CORD HANGER		2		
083	JM27000094	CORD GUARD		1		
084A_	JM27000095	HOOK		2		
085	JM27000096	CROSS HEAD SCREW M5X25		6	*	
085-1	JM27000156	PAN HEAD SCREW M5X20	X	6		
087	JM27000102	CORD CLAMP		1		
088	JM27000103	TAPPING SCREW ST3.9X16		2		

089	JM27000104	HEX BOLT M10X45		1		
090A_	JM27000105	CABINET		1	*	
091	JM27000108	UNDER PANEL		1		
092	JM27000109	WASHER 4 (L)		1	*	
092-1	JM27000009	FLAT WASHER 4	X	1		
093	JM27000110	FRONT PANEL LABEL		1		
094	JM27000111	HEX BOLT M6X16		2		
095	JM27000112	BLADE CASE FIX BRACKET SPACE R		1		
096A_	JM27000113	MAKITA LOGO PLATE		1		
097	JM27000114	TAPPING SCREW ST2.9X10		2		
098	JM27000115	SOFT START DEVICE COVER		1		
099	JM27000116	SOFT START DEVICE		1		
100	JM27000117	TAPPING SCREW ST2.9X8		2		
101	JM27000118	CORD CLAMP		2	*	
101-1	JM27000118	CORD CLAMP	<	1		
102	JM27000119	SWITCH BOX COVER		1		
103	JM27000120	SWITCH BOX		1		
104A_	JM27000121	CIRCUIT BREAKER 220-240V		1		
105	JM27000122	LABEL FOR CIRCUIT BREAKER		1		
106	JM27000123	NUT FOR CIRCUIT BREAKER		1		
107A_	JM27000124	MAGNETIC SWITCH A (HV)		1	*	
107A1	JM27000443	ANTI RESTART SWITCH 220-240V	<	1		
108	JM27000136	PAN HEAD SCREW M4X14		2		
109	JM27000137	HEX SOCKET HEAD BOLT M6X12		1		
110	JM27000138	LOCK HANDLE FOR BLADE ANGLE		1		
111	JM27000139	BLADE ANGLE LOCKING BOLT		1		
112	JM27000140	COMPRESSION SPRING		1		
113	JM27000141	FLAT WASHER 10		1		
114	JM27000142	BLADE ANGLE ADJUSTING RACK		1		
115	JM27000143	SUPPORT PLATE FOR ADJUST RACK		1		
116	JM27000144	FLAT HEAD SCREW M5X8		4		
117A_	JM27000145	RIP FENCE HOLDER		1		
119A_	JM27000147	MOTOR ASSEMBLY 230V		1	*	
D10		INC. 246-250,253,256,257,260,				
D20		INC. 262,263,319-322,431,				
D30		INC. 446-448,466,467				
120	JM27000148	BRACKET FOR RIVING KNIFE		1	*	
120-1	JM00000417	BRACKET FOR RIVING KNIFE	<	1		
121	JM27000149	HEX SOCKET HEAD BOLT M6X20		2		
122	JM27000150	RIVING KNIFE		1	*	
122-1	JM27000150	RIVING KNIFE	O	1		
123	JM27000151	FIX PLATE FOR RIVING KNIFE		1	*	
123-1	JM00000418	FIX PLATE FOR RIVING KNIFE	<	1		
124	JM27000152	RETAINER PLATE FOR BLADE CASE		1		
125	JM27000153	BLADE CASE LEFT SIDE		1		
126	JM27000154	COVER PLATE FOR BLADE CASE		1		
127	JM27000155	FLAT WASHER 5		2		
128	JM27000156	PAN HEAD SCREW M5X20		2	*	
128-1	JM27000156	PAN HEAD SCREW M5X20	<	4		

129	JM27000157	SLIDE SHAFT FOR BLADE LIFTING		2			
130	JM27000158	SLIDE SCREW FOR BLADE LIFTING		1			
131	JM27000159	KEY 4X8		1			
132	JM27000160	BRACKET FOR SLIDE SCREW		1			
133	JM27000161	HEX SOCKET HEAD BOLT M5X20		2			
134	JM27000162	BEVEL GEAR FOR BLADE LIFTING		1			
135	JM27000163	RETAINING RING S-10		1			
136	JM27000164	BLADE ANGLE POINTER		1			
137	JM27000165	HANDLE AXLE FOR BLADE LIFTING		1			
138	JM27000166	ADJUSTING GRIP FOR BLADE ANGLE		1			
139	JM27000167	PAN HEAD SCREW M5X12		1			
140	JM27000168	CRANK ASSY FOR BLADE LIFTING		1	*		
140-1	JM27000168	CRANK ASSY FOR BLADE LIFTING	O	1			
D10		INC. 141,593-596					
141	JM27000169	PAN HEAD STEPPED SCREW M5X37		1			
142	JM27000170	PROTECTION PLATE		1			
143	JM27000171	INNER FLANGE 52		1			
144	JM27000172	H.S.SET SCREW M6X12 WITH GLUE		1			
145	JM27000173	SPRING FOR BLADE CASE BRACKET		2			
146	JM27000174	PAN HEAD SCREW M3X25		2			
147	JM27000175	WASHER 3 (L)		2			
148	JM27000176	HEX LOCK NUT M3		2			
149	JM27000177	TAPPING SCREW ST3.9X10		1			
150	JM27000178	PROTECTION PLATE 397X123		1			
151	JM27000179	OUTER FLANGE 52		1			
152	JM27000180	HEX NUT M16		1			
153	JM27000181	BLADE CASE RIGHT SIDE		1			
154	JM27000182	BLADE CASE PLATE		1			
155	JM27000183	HEX LOCK NUT M5		1			
156	JM27000184	SUPPORT BRACKET		1			
157	JM27000185	COVER		1	*		
158	JM27000186	GRIP SCREW M8X10		1	*		
158-1	JM27000186	GRIP SCREW M8X10	S	1			
159	JM27000187	SPRING PIN 4X30		1			
160	JM27000188	KNURLED PIN 8X30		1			
161	JM27000189	ECCENTRIC RING		1			
162	JM27000190	FRICTION PAD		1			
163	JM27000191	KNURLED PIN 5X30		1			
164A_	JM27000192	RIP FENCE BRACKET		1			
165	JM27000193	COMPRESSION SPRING		1			
166	JM27000194	RIP FENCE FIXED PLATE		1			
168	JM27000196	HEX BOLT M6X35		1			
169	JM27000197	POINTER		1			
170	JM27000198	PAN HEAD SCREW M4X8		1			
171	JM27000199	FENCE BRACKET		1			
172	JM27000200	FENCE END CAP		1			
173	JM27000201	FENCE BAR		1			

174	JM27000203	THUMB NUT M6		2		
175	JM27000204	SQUARE NECK BOLT M6X60		2		
176	JM27000205	FENCE END CAP		1		
177	JM27000206	SLIDING BAR		1		
178	JM27000207	POINTER		1		
179	JM27000208	FLAT WASHER 3		1		
180	JM27000209	PAN HEAD SCREW M3X8		1		
181	JM27000210	THUMB SCREW M6X13		1		
182	JM27000211	WASHER 6 (L)		2		
183	JM27000212	WASHER 8		1		
184	JM27000213	THUMB SCREW M6X62		1		
185	JM27000214	SCALE LABEL		1		
186	JM27000215	GRIP SCREW M8X20		1	*	
186-1	JM27000215	GRIP SCREW M8X20	S	1		
187	JM27000216	WISE ROD		1		
188	JM27000217	THUMB SCREW M10X92		1		
189	JM27000218	WISE ARM		1		
190	JM27000219	WISE PLATE		1		
191	JM27000220	FENCE END CAP		2		
192	JM27000221	FENCE PLATE		1		
193	JM27000222	SQUARE NECK BOLT M6X30		2		
194A_	JM27000223	ANGLE RULE BASE		1		
195	JM27000225	SLIDING BAR SPACER		1		
246	JM23000156	POWER SUPPLY CORD ASSY EUR O		1		
247	JM27000292	PAN HEAD SCREW M5X8		2		
248	JM27000293	AIR INLET COVER PLATE		1		
249	JM27000294	BRUSH CAP		2		
250	JM23000123	CARBON BRUSH 2PCS/SET		1		
251	JM27000296	BRUSH HOLDER		2	*	
253	JM27000299	CORD CLAMP		1		
254	JM27000361	RUBBER RING		1		
255	JM27000301	BEARING 6001-2Z		1	*	
255-1	JM27000445	BALL BEARING 6001RS	<	1		
256A_	JM27000302	STATOR ASSY 230V		1		
257	JM27000305	TAPPING SCREW ST4.8X70		2		
258A_	JM27000306	ROTOR(230V)		1		
259	JM27000312	BEARING 6201-2Z		1	*	
259-1	JM27000446	BALL BEARING 6201RS	<	1		
260	JM27000313	BAFFLE RING		1		
261	JM27000314	GEAR BOX		1	*	
261-1	JM27000423	GEAR BOX	<	1	*	
262	JM27000316	PAN HEAD SCREW M5X35		4		
263	JM27000317	FLAT HEAD SCREW M5X16		3		
264	JM27000318	BEARING BOX		1		
265	JM27000319	BALL BEARING 6003RS		1		
266	JM27000320	RETAINING RING R-35		1		
267	JM27000321	SPINDLE SHAFT 5/8"		1		
268	JM27000323	KEY 5X6.5X16		1		
269	JM27000324	HELICAL GEAR 43		1		
270	JM27000325	RETAINING RING S-16		1		
271	JM27000326	BUSH		1	*	

272	JM27000327	SLIDING TABLE BASE FIX PLATE		2			
275	JM27000330	HOOK		1	*		
277	JM27000332	R-TYPE CABLE CLAMP		2			
278	JM27080019	NAME PLATE		1			
280A_	JM27000333	SCALE LABEL (METRIC)		1			
281A_	JM27000335	SCALE LABEL EX-TABLE (METRIC)		1			
283A_	JM27000337	SCALE LABEL		2	*		
283A1	JM27000428	SCALE LABEL SL-PIPE (METRIC)	X	2			
284	JM27000339	H.S.SET SCREW M6X20 WITH GL UE		2			
285	JM27000340	BLADE GUARD		1			
286	JM27000341	CROSS HEAD SELF TAPPING SCR EW		4	*		
286-1	JM27000114	TAPPING SCREW ST2.9X10	X	4			
287	JM27080020	WARNING LABEL		1			
288	JM27080060	WARNING LABEL		1			
291	JM27000342	CAPACITOR		1			
309A_	JM27000052	UP BLADE GUARD ASSEMBLY (EU TY		1			
D10		INC. 49-60,122,285,286,288					
D11		INC. 49-60,122,285,286,288,597					
310A_	JM27000076	SUB FRONT RAIL ASSEMBLY (MM SCA		1			
D10		INC. 70,281					
311A_	JM27000080	SLIDING BAR A ASSEMBLY (MMS CAL		1	*		
D10		INC. 72,283					
311A1	JM27000426	SLIDING BAR A ASSEMBLY (MMS CAL	X	1			
D10		INC. 72,283					
312A_	JM27000083	FRONT RAIL ASSEMBLY (MMSCAL E)		1			
D10		INC. 73,280					
313A_	JM27000100	BLADE INNER LING 30.0		1			
314A_	JM27000106	CABINET		1			
315A_	JM27000127	SWITCH ASSEMBLY 1 SWA SOO C AO		1			
D10		INC. 97-108,291,430,498					
316A_	JM27000202	RIP FENCE ASSEMBLY		1			
D10		INC. 121,158-166,168-173,175,					
D11		INC. 121,158,162,169-173,175,					
D20		INC. 176,418,435,458,484,500,					
D21		INC. 176,418,435,458,484,500,					
D30		INC. 501,521					
D31		INC. 501,565					
317A_	JM27000224	MITER GUAGE ASSEMBLY		1			
D10		INC. 92,157,174,177-195,452,					
D11		INC. 92,174,177-195,452,483,					
D20		INC. 483,485,523					
D21		INC. 485,523,582					
319	JM27000298	MOTOR HOUSE ASSEMBLY		1	*		
D10		INC. 251					
319-1	JM00000150	MOTOR HOUSING ASSY	O	1			
320A_	JM27000309	ARMATURE ASSY 230V		1			

D10		INC. 254,255,258,259					
321	JM27000315	GEAR BOX ASSEMBLY		1	*		
D10		INC. 261,271					
321-1	JM27000424	GEAR BOX ASSEMBLY	<	1			
D10		INC. 261,271					
322	JM27000322	OUTER SHAFT ASSEMBLY		1			
D10		INC. 264-270					
411	JM27000024	FLAT WASHER 6		12			
412	JM27000024	FLAT WASHER 6		12			
413	JM27000024	FLAT WASHER 6		2	*		
414	JM27000024	FLAT WASHER 6		2			
415	JM27000024	FLAT WASHER 6		2			
416	JM27000024	FLAT WASHER 6		2			
417	JM27000024	FLAT WASHER 6		2			
418	JM27000024	FLAT WASHER 6		2			
424	JM27000004	SELF TAPPING SCREW ST3.9X12		2			
426	JM27000004	SELF TAPPING SCREW ST3.9X12		2	*		
426-1	JM27000177	TAPPING SCREW ST3.9X10	X	4			
427	JM27000004	SELF TAPPING SCREW ST3.9X12		2			
428	JM27000004	SELF TAPPING SCREW ST3.9X12		6			
429	JM27000004	SELF TAPPING SCREW ST3.9X12		2			
430	JM27000004	SELF TAPPING SCREW ST3.9X12		2			
431	JM27000004	SELF TAPPING SCREW ST3.9X12		2			
432	JM27000009	FLAT WASHER 4		4			
433	JM27000009	FLAT WASHER 4		1	*		
433-1	JM27000009	FLAT WASHER 4	O	1			
434	JM27000009	FLAT WASHER 4		1	*		
434-1	JM27000009	FLAT WASHER 4	O	1			
435	JM27000009	FLAT WASHER 4		1			
437	JM27000009	FLAT WASHER 4		2			
438	JM27000009	FLAT WASHER 4		2			
439	JM27000009	FLAT WASHER 4		2			
440	JM27000009	FLAT WASHER 4		1			
441	JM27000155	FLAT WASHER 5		2	*		
441-1	JM27000155	FLAT WASHER 5	<	4			
442	JM27000155	FLAT WASHER 5		2			
443	JM27000155	FLAT WASHER 5		1	*		
444	JM27000155	FLAT WASHER 5		1			
445	JM27000155	FLAT WASHER 5		2	*		
446	JM27000155	FLAT WASHER 5		4			
447	JM27000155	FLAT WASHER 5		2			
448	JM27000155	FLAT WASHER 5		2			
449	JM27000016	PAN HEAD SCREW M6X10		3			
450	JM27000033	HEX BOLT M6X10		3			
451	JM27000013	SPRING WASHER 4		4			
452	JM27000013	SPRING WASHER 4		1			
453	JM27000013	SPRING WASHER 4		2			
454	JM27000013	SPRING WASHER 4		2			
455	JM27000013	SPRING WASHER 4		1			
457	JM27000017	SPRING WASHER 6		3	*		
457-1	JM27000024	FLAT WASHER 6	X	3			
458	JM27000017	SPRING WASHER 6		2			

459	JM27000017	SPRING WASHER 6		2		
460	JM27000017	SPRING WASHER 6		2		
461	JM27000017	SPRING WASHER 6		2		
462	JM27000032	HEX NUT M6		1		
463	JM27000048	SPRING WASHER 5		2	*	
463-1	JM27000048	SPRING WASHER 5	<	4		
464	JM27000048	SPRING WASHER 5		2		
465	JM27000048	SPRING WASHER 5		1	*	
466	JM27000048	SPRING WASHER 5		4		
467	JM27000048	SPRING WASHER 5		2	*	
468	JM27000042	PAN HEAD SCREW M5X10		2		
469	JM27000042	PAN HEAD SCREW M5X10		2		
470	JM27000042	PAN HEAD SCREW M5X10		2		
471	JM27000042	PAN HEAD SCREW M5X10		2	*	
471-1	JM27000042	PAN HEAD SCREW M5X10	O	1		
472	JM27000042	PAN HEAD SCREW M5X10		1		
473	JM27000109	WASHER 4 (L)		2		
474	JM27000109	WASHER 4 (L)		6		
475	JM27000109	WASHER 4 (L)		2		
476	JM27000109	WASHER 4 (L)		1		
477	JM27000011	PAN HEAD SCREW M4X12		4		
478	JM27000011	PAN HEAD SCREW M4X12		1		
479	JM27000011	PAN HEAD SCREW M4X12		1		
480	JM27000011	PAN HEAD SCREW M4X12		2		
481	JM27000047	WASHER 5 (L)		6		
482	JM27000047	WASHER 5 (L)		2		
483	JM27000066	FLAT HEAD SCREW M4X8		2		
484	JM27000066	FLAT HEAD SCREW M4X8		1		
485	JM27000027	PAN HEAD SCREW M4X10		1		
486	JM27000027	PAN HEAD SCREW M4X10		2		
487	JM27000027	PAN HEAD SCREW M4X10		2		
488	JM27000027	PAN HEAD SCREW M4X10		1		
489	JM27000037	TAPPING SCREW ST3.9X8		3		
490	JM27000149	HEX SOCKET HEAD BOLT M6X20		2		
491	JM27000149	HEX SOCKET HEAD BOLT M6X20		2		
492	JM27000070	HEX NUT M8		2		
493	JM27000071	SPRING WASHER 8		2		
494	JM27000072	FLAT WASHER 8		2		
495	JM27000073	SQUARE NECK BOLT M8X25		2		
496	JM27000038	PAN HEAD SCREW M6X16		2		
497	JM27000043	KNOB BOLT M6X20		2		
498	JM27000114	TAPPING SCREW ST2.9X10		2		
500	JM27000203	THUMB NUT M6		2		
501	JM27000211	WASHER 6 (L)		2		
504	JM27000051	HEX LOCK NUT M6		2	*	
504-1	JM27000032	HEX NUT M6	X	2		
505	JM27000005	GRIP (OUTSIDE)		1	*	
505-1	JM27000006	GRIP (INSIDE)	X	1		
506	JM27000006	GRIP (INSIDE)		1	*	
506-1	JM27000005	GRIP (OUTSIDE)	X	1		
507	JM27000007	HEX LOCK NUT M4		1		

508	JM27000010	SLIDE TABLE STOPPER		1		
509	JM27000018	RACK FOR SLIDE TABLE		1		
510	JM27000039	FIX BRACKET FOR BLADE CASE		1		
511	JM27000064	FLAT WASHER 10		1		
514	JM27000074	FRONT RAIL END CAP RIGHT		1		
515	JM27000078	FRONT RAIL END CAP LEFT		1		
516	JM27000152	RETAINER PLATE FOR BLADE CAS E		1		
517	JM27000159	KEY 4X8		1		
518	JM27000162	BEVEL GEAR FOR BLADE LIFTING		1		
519	JM27000163	RETAINING RING S-10		1		
520	JM27000167	PAN HEAD SCREW M5X12		1		
521	JM27000185	COVER		1	*	
523	JM27000210	THUMB SCREW M6X13		1		
524	JM27000036	SLIDING TABLE COVER		1		
565	JM00000148	RIP FENCE BRACKET ASSY		1		
D10		INC. 159-161,163-166,168,				
D20		INC. 567,568				
567	JM27000024	FLAT WASHER 6		1		
568	JM27000024	FLAT WASHER 6		1		
569	JM00000149	SLIDE RAIL ASSY	S	1		
570	JM00000154	WAVE WASHER 4		1		
571	JM00000154	WAVE WASHER 4		1		
572	JM00000135	HEX NUT M10		1		
573	JM27000003	FLAT WASHER 10		1		
574	JM27000009	FLAT WASHER 4		2		
575	JM27000013	SPRING WASHER 4		2		
577	JM27000009	FLAT WASHER 4		2		
578	JM00000156	VINYL TUBE		1		
580	JM27000017	SPRING WASHER 6		2		
581	JM27000017	SPRING WASHER 6		2		
582	JM27000024	FLAT WASHER 6		1		
583	JM27000032	HEX NUT M6		3		
584	JM27000155	FLAT WASHER 5		2		
585	JM27000048	SPRING WASHER 5		2		
586	JM27000155	FLAT WASHER 5		2		
587	JM27000048	SPRING WASHER 5		2		
588	JM00000155	CORD CLAMP		1		
589	JM27000183	HEX LOCK NUT M5		3		
590	JM27000317	FLAT HEAD SCREW M5X16		3		
592	JM27000453	O-RING 2.5X1.5		6		
593	JM00000152	CRANK FOR BLADE LIFTING		1		
594	JM00000151	HEX NUT M5		1		
595	JM00000153	GRIP FOR BLADE LIFTING		1		
596	JM27000155	FLAT WASHER 5		1		
597	JM27080108	LABEL(RIVING KNIFE SETTING)		1		
598	JM00000157	GROMMET		1		
599	JM00000134	FERRITE RING		1		
A01	JM27000086	PUSH STICK		1		
A02	JM27000087	WRENCH 24		2		
A03	JM27000328	TRIANGLE PLATE		1		
A04	JM27000329	HEX WRENCH 6		1		

A05	JM27000097	SAW BLADE 260X30		1	*		
A05-1	JM00000385	SAW BLADE 260X30	O	1			

Please state Parts No. when your order.

Print Date 12/11/2023