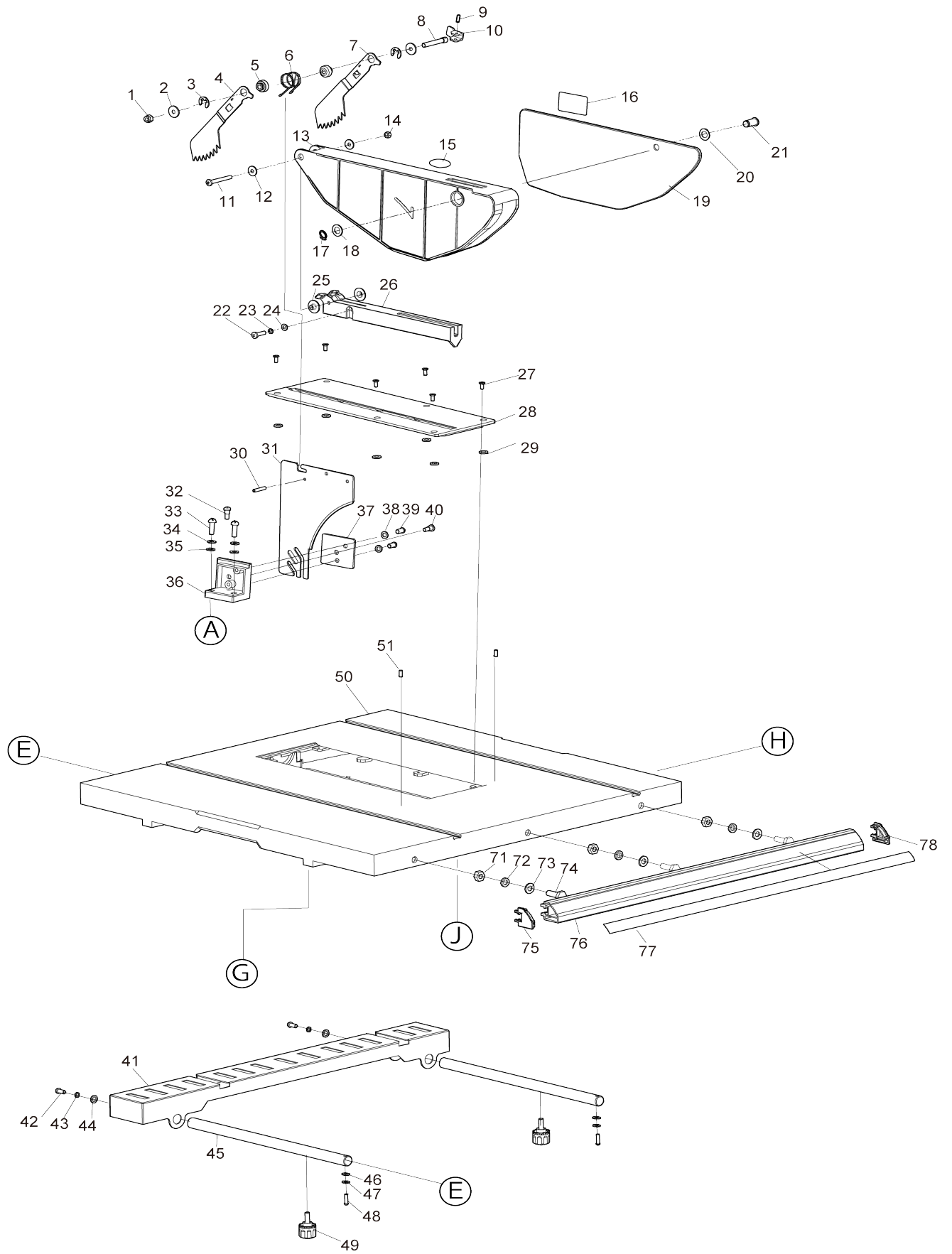
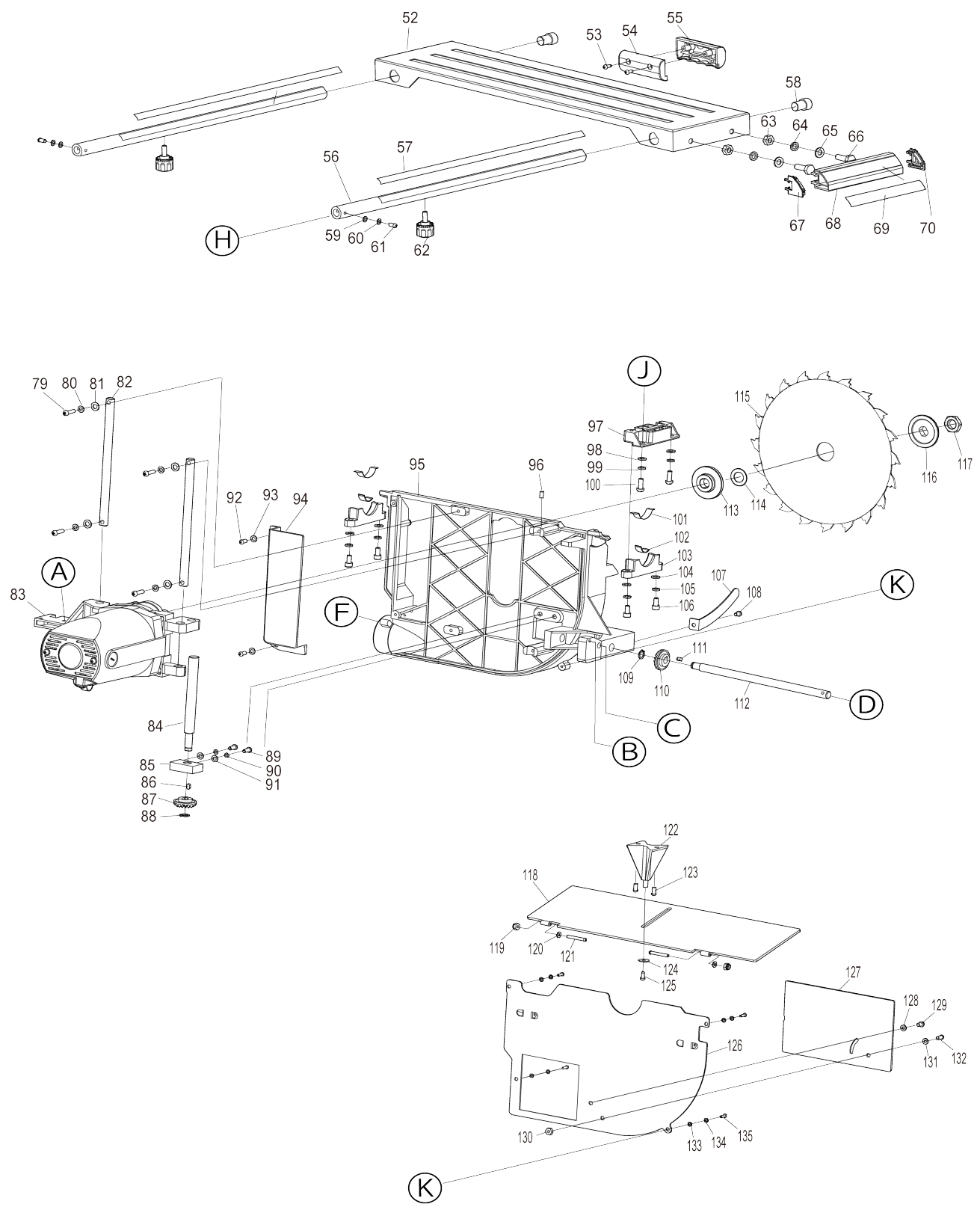


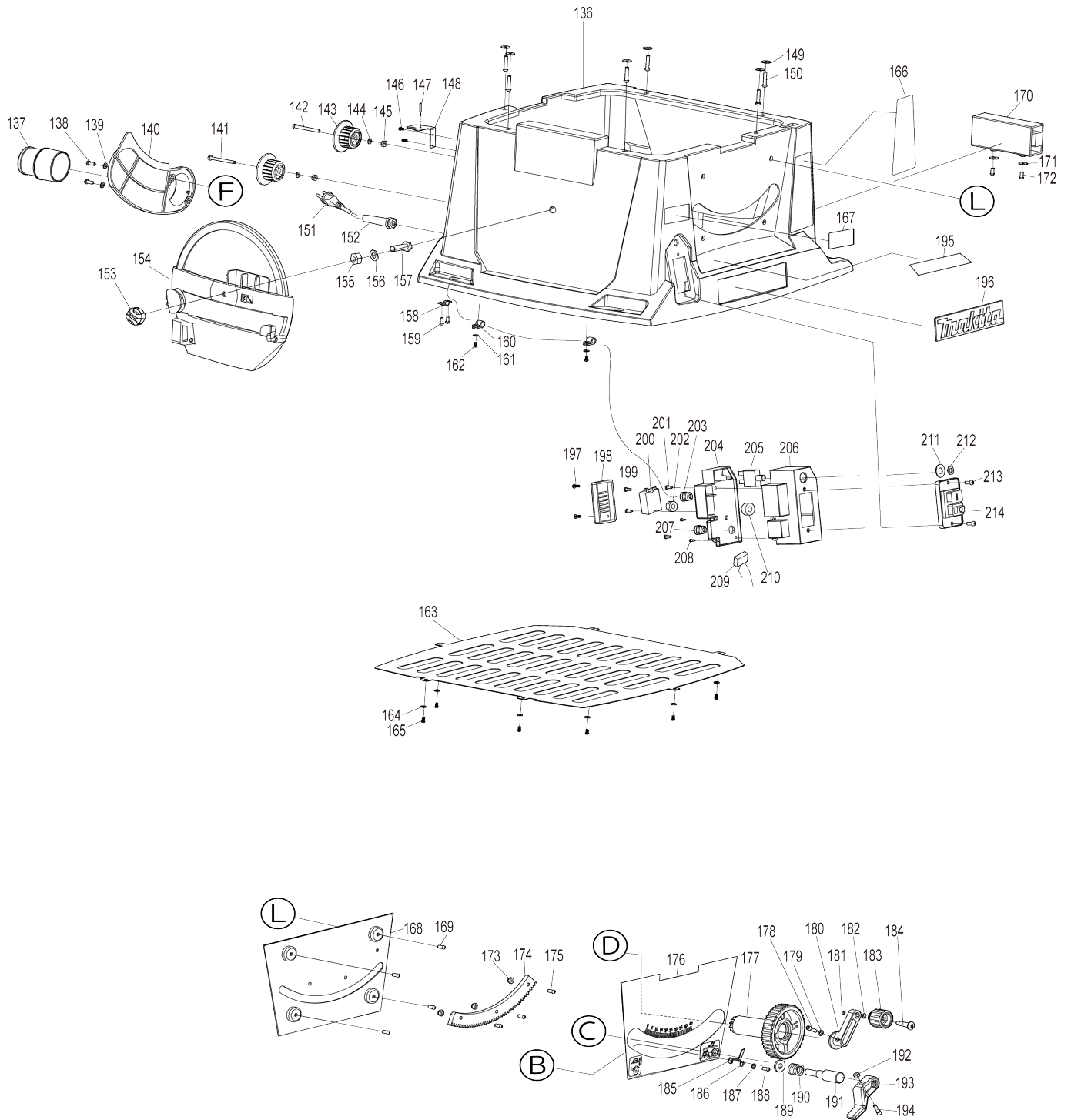
Model No.MLT100N 260MM TABLE SAW



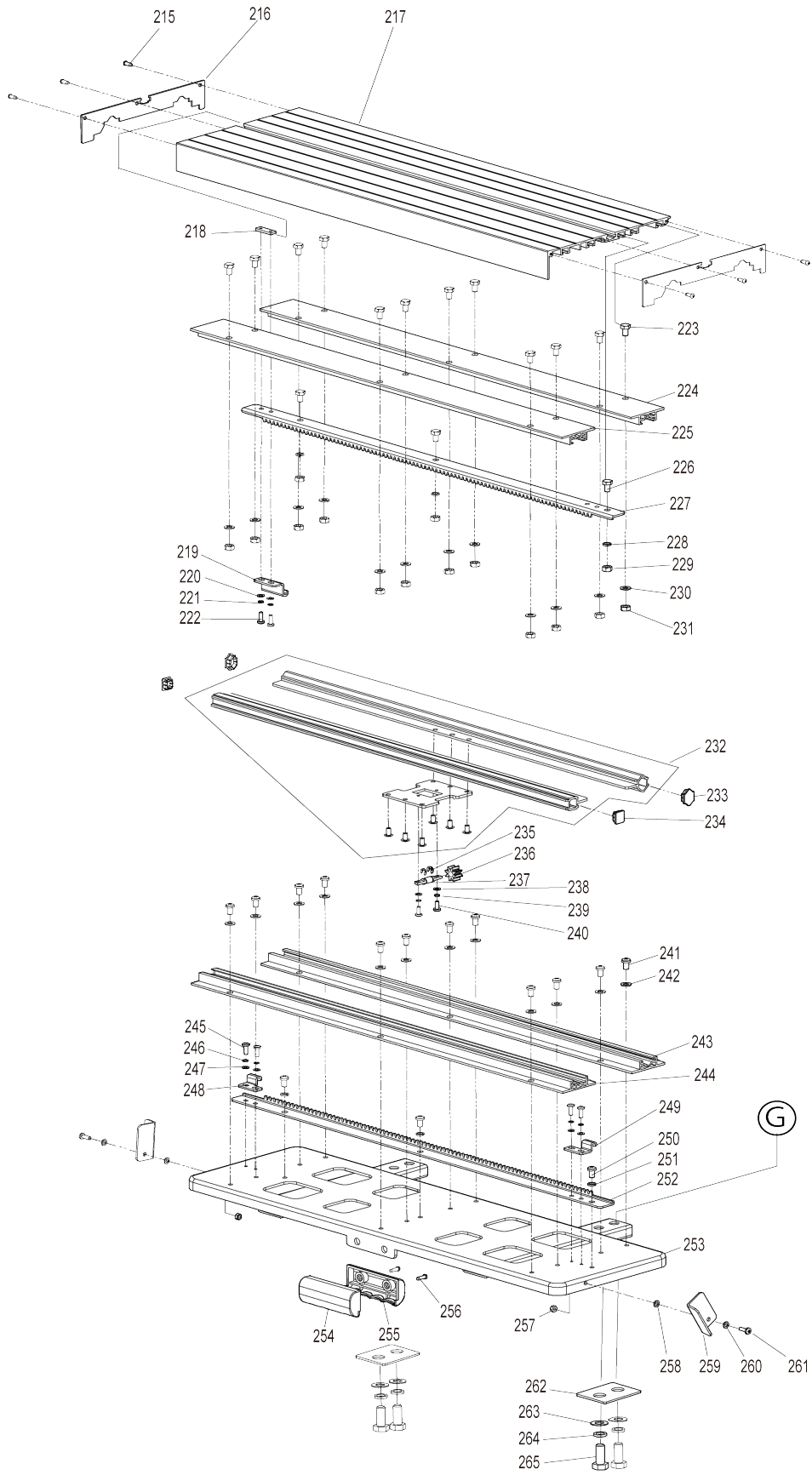
Model No. MLT100N 260MM TABLE SAW



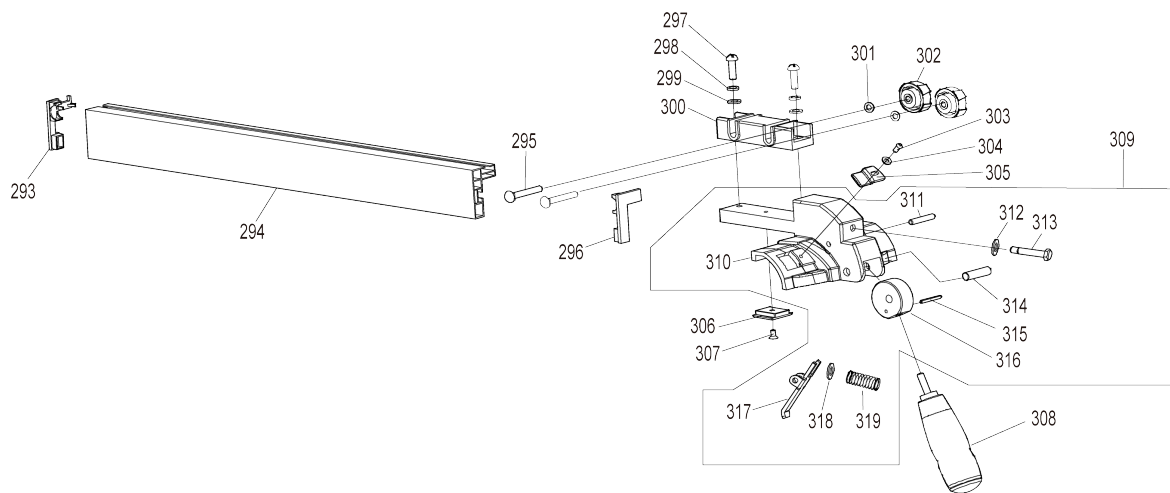
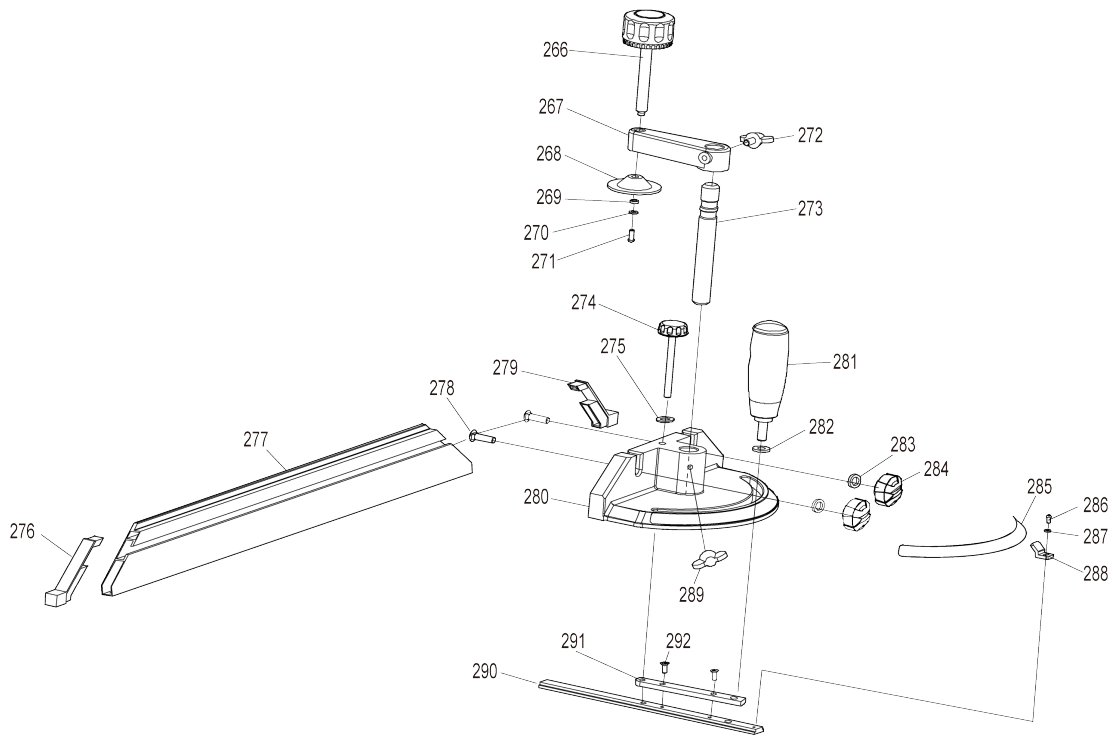
Model No.MLT100N 260MM TABLE SAW



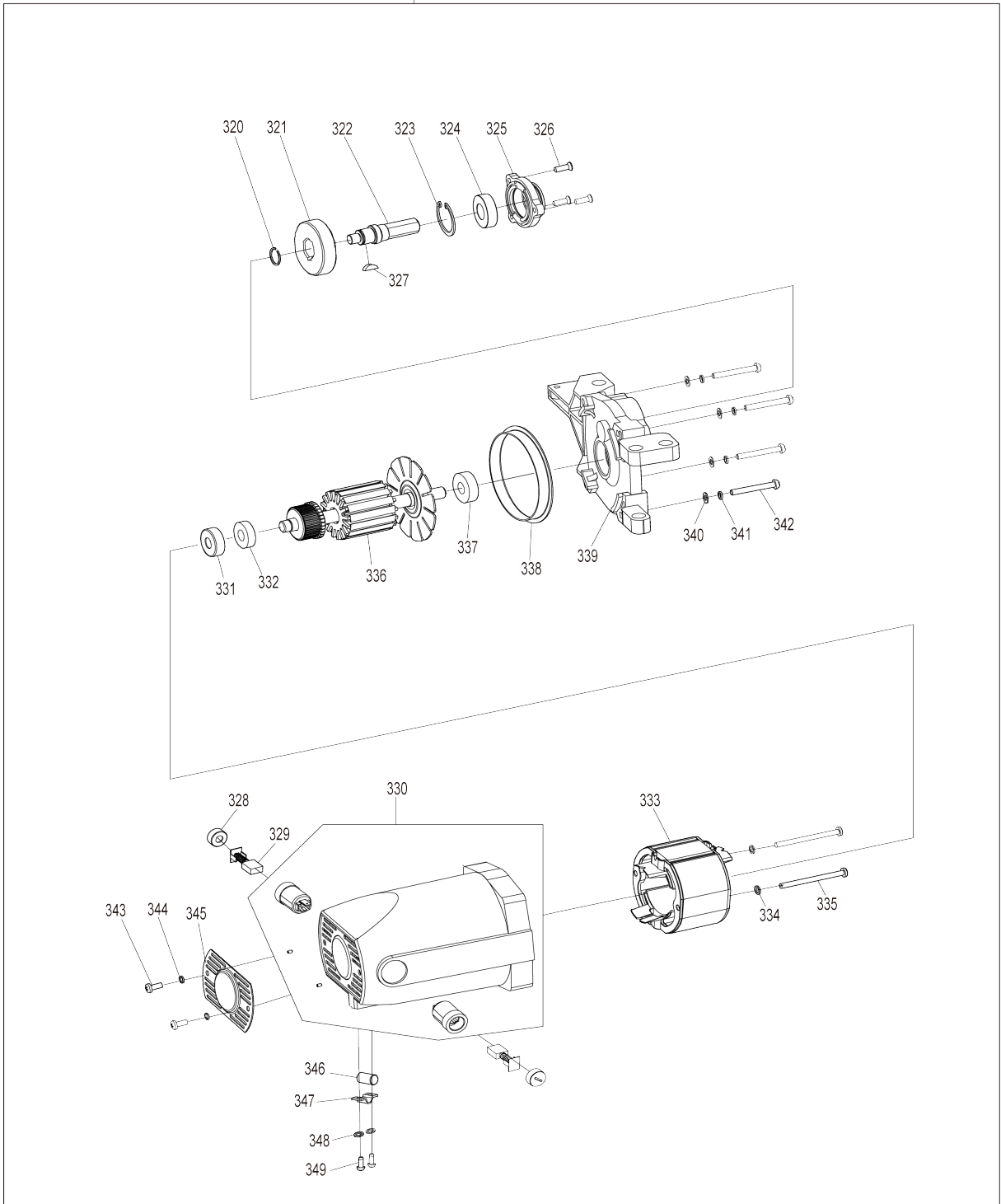
Model No. MLT100N 260MM TABLE SAW



Model No.MLT100N 260MM TABLE SAW



83



Model No.MLT100N 260MM TABLE SAW

Item No.	Parts No.	Description	Interchangability	Q'ty	New/Old	Note1	Note2
001	JM27000051	HEX LOCK NUT M6		1			
002	JM27000055	WASHER 6 (21.5)		2			
003	JM00000198	E SHAPE RETAINING RING E-10		2			
004	JM00000059	ANTI KICKBACK PAWL LEFT		1			
005	JM00000057	SPACER RING 6		2			
006	JM00000058	TORSION SPRING		1			
007	JM00000056	ANTI KICKBACK PAWL RIGHT		1			
008	JM00000055	TENSION BOLT M6X47		1			
009	JM27000059	PIN 4X12		1			
010	JM27000061	QUICK FIXING LEVER		1			
011	JM00000052	TAMPERPROOF STEPPED BOLT M5X47		1			
012	JM27000055	WASHER 6 (21.5)		2			
013	JM00000054	BLADE GUARD		1			
014	JM27000183	HEX LOCK NUT M5		1			
015	JM2708B060	CAUTION LABEL		1			
016	JM27080108	LABEL(RIVING KNIFE SETTING)		1			
017	JM27000163	RETAINING RING S-10		1			
018	JM27000064	FLAT WASHER 10		1			
019	JM00000053	SUB BLADE GUARD		1			
020	JM27000064	FLAT WASHER 10		1			
021	JM27000063	PIN 10X21.5		1			
022	JM27000156	PAN HEAD SCREW M5X20		1			
023	JM27000048	SPRING WASHER 5		1			
024	JM27000155	FLAT WASHER 5		1			
025	JM27000352	FLANGED WASHER		2			
026	JM00000051	BLADE GUARD STAND		1			
027	JM27000066	FLAT HEAD SCREW M4X8		6			
028	JM27000067	TABLE INSERT (PLASTIC)		1			
029	JM27000453	O-RING 2.5X1.5		6			
030	JM00000049	SPRING PIN 4X25		1			
031	JM00000048	RIVING KNIFE		1			
032	JM00000047	TAMPERPROOF STEPPED BOLT M5X20		1			
033	JM27000149	HEX SOCKET HEAD BOLT M6X20		2			
034	JM27000017	SPRING WASHER 6		2			
035	JM27000024	FLAT WASHER 6		2			
036	JM27000148	BRACKET FOR RIVING KNIFE		1	*		
036-1	JM00000417	BRACKET FOR RIVING KNIFE	X	1			
037	JM27000151	FIX PLATE FOR RIVING KNIFE		1	*		
037-1	JM00000418	FIX PLATE FOR RIVING KNIFE	X	1			
038	JM27000017	SPRING WASHER 6		2			
039	JM27000149	HEX SOCKET HEAD BOLT M6X20		2			
040	JM00000046	TAMPERPROOF STEPPED BOLT M5X15		1			
041	JM27000045	REAR EXTENSION TABLE		1	*		
041-1	JM00000262	REAR EXTENSION TABLE	X	1			
042	JM27000167	PAN HEAD SCREW M5X12		2			

043	JM27000048	SPRING WASHER 5		2		
044	JM27000047	WASHER 5 (L)		2		
045	JM27000044	SLIDE SHAFT 330		2		
046	JM27000155	FLAT WASHER 5		2		
047	JM27000048	SPRING WASHER 5		2		
048	JM27000167	PAN HEAD SCREW M5X12		2		
049	JM27000043	KNOB BOLT M6X20		2		
050	JM00000003	MAIN TABLE B COMPLETE		1	*	
050-1	JM00000261	MAIN TABLE B COMPLETE	O	1		
051	JM27000339	H.S.SET SCREW M6X20 WITH GL UE		2		
052	JM27000068	RIGHT EXTENSION TABLE		1	*	
052-1	JM00000263	RIGHT EXTENSION TABLE	O	1		
053	JM27000004	SELF TAPPING SCREW ST3.9X12		2		
054	JM27000006	GRIP (INSIDE)		1		
055	JM27000005	GRIP (OUTSIDE)		1		
056	JM27000425	SLIDE PIPE 630		2		
057	JM27000428	SCALE LABEL SL-PIPE (METRIC)		2		
058	JM27000069	HEX SOCKET HEAD BOLT M14X2 0		2		
059	JM27000155	FLAT WASHER 5		2		
060	JM27000048	SPRING WASHER 5		2		
061	JM27000167	PAN HEAD SCREW M5X12		2		
062	JM27000043	KNOB BOLT M6X20		2		
063	JM27000070	HEX NUT M8		2		
064	JM27000071	SPRING WASHER 8		2		
065	JM27000072	FLAT WASHER 8		2		
066	JM27000073	SQUARE NECK BOLT M8X25		2		
067	JM27000078	FRONT RAIL END CAP LEFT		1		
068	JM27000075	FRONT RAIL FOR RIGHT EX-TABL E		1		
069	JM27000335	SCALE LABEL EX-TABLE (METRIC)		1		
070	JM27000074	FRONT RAIL END CAP RIGHT		1		
071	JM27000070	HEX NUT M8		3		
072	JM27000071	SPRING WASHER 8		3		
073	JM27000072	FLAT WASHER 8		3		
074	JM27000073	SQUARE NECK BOLT M8X25		3		
075	JM27000078	FRONT RAIL END CAP LEFT		1		
076	JM27000082	FRONT RAIL		1		
077	JM27000333	SCALE LABEL (METRIC)		1		
078	JM27000074	FRONT RAIL END CAP RIGHT		1		
079	JM27000156	PAN HEAD SCREW M5X20		4		
080	JM27000048	SPRING WASHER 5		4		
081	JM27000155	FLAT WASHER 5		4		
082	JM27000157	SLIDE SHAFT FOR BLADE LIFTING		2		
083	JM27000147	MOTOR ASSEMBLY 230V		1		
D10		INC. 320-349				
D11		INC. 320-330,333-336,338-349				
084	JM27000158	SLIDE SCREW FOR BLADE LIFTIN G		1		
085	JM27000160	BRACKET FOR SLIDE SCREW		1		
086	JM27000159	KEY 4X8		1		
087	JM27000162	BEVEL GEAR FOR BLADE LIFTING		1		

088	JM27000163	RETAINING RING S-10		1		
089	JM27000161	HEX SOCKET HEAD BOLT M5X20		2		
090	JM27000048	SPRING WASHER 5		2		
091	JM27000155	FLAT WASHER 5		2		
092	JM27000042	PAN HEAD SCREW M5X10		2		
093	JM27000155	FLAT WASHER 5		2		
094	JM27000154	COVER PLATE FOR BLADE CASE		1		
095	JM27000153	BLADE CASE LEFT SIDE		1		
096	JM27000172	H.S.SET SCREW M6X12 WITH GL UE		1		
097	JM27000112	BLADE CASE FIX BRACKET SPACE R		1		
098	JM27000024	FLAT WASHER 6		2		
099	JM27000017	SPRING WASHER 6		2		
100	JM27000111	HEX BOLT M6X16		2		
101	JM27000152	RETAINER PLATE FOR BLADE CAS E		2		
102	JM27000173	SPRING FOR BLADE CASE BRACK ET		2		
103	JM27000039	FIX BRACKET FOR BLADE CASE		2		
104	JM27000024	FLAT WASHER 6		4		
105	JM27000017	SPRING WASHER 6		4		
106	JM27000038	PAN HEAD SCREW M6X16		4		
107	JM27000170	PROTECTION PLATE		1		
108	JM27000042	PAN HEAD SCREW M5X10		1		
109	JM27000163	RETAINING RING S-10		1		
110	JM27000162	BEVEL GEAR FOR BLADE LIFTING		1		
111	JM27000159	KEY 4X8		1		
112	JM27000165	HANDLE AXLE FOR BLADE LIFTIN G		1		
113	JM27000171	INNER FLANGE 52		1		
114	JM27000100	BLADE INNER LING 30.0		1		
115	JM27000097	SAW BLADE 260X30		1	*	
115-1	JM00000385	SAW BLADE 260X30	O	1		
116	JM27000179	OUTER FLANGE 52		1		
117	JM27000180	HEX NUT M16		1		
118	JM27000178	PROTECTION PLATE 397X123		1		
119	JM27000176	HEX LOCK NUT M3		2		
120	JM27000175	WASHER 3 (L)		2		
121	JM27000174	PAN HEAD SCREW M3X25		2		
122	JM27000184	SUPPORT BRACKET		1		
123	JM27000042	PAN HEAD SCREW M5X10		2		
124	JM27000109	WASHER 4 (L)		1		
125	JM27000177	TAPPING SCREW ST3.9X10		1		
126	JM27000181	BLADE CASE RIGHT SIDE		1		
127	JM27000182	BLADE CASE PLATE		1		
128	JM27000047	WASHER 5 (L)		1		
129	JM27000042	PAN HEAD SCREW M5X10		1		
130	JM27000183	HEX LOCK NUT M5		1		
131	JM27000047	WASHER 5 (L)		1		
132	JM27000042	PAN HEAD SCREW M5X10		1		
133	JM27000009	FLAT WASHER 4		4		
134	JM27000013	SPRING WASHER 4		4		

135	JM27000027	PAN HEAD SCREW M4X10	4		
136	JM27000106	CABINET	1		
137	JM27000090	CUFFS 57-45	1		
138	JM27000011	PAN HEAD SCREW M4X12	2		
139	JM27000009	FLAT WASHER 4	2		
140	JM27000089	SAW DUST OUTLET	1		
141	JM27000092	HEX BOLT M6X55	1		
142	JM27000091	HEX BOLT M6X65	1		
143	JM27000093	CORD HANGER	2		
144	JM27000024	FLAT WASHER 6	2		
145	JM27000032	HEX NUT M6	2		
146	JM27000177	TAPPING SCREW ST3.9X10	2		
147	JM00000049	SPRING PIN 4X25	1		
148	JM00000050	ANTI KICKBACK PAWL HANGER	1		
149	JM27000047	WASHER 5 (L)	6		
150	JM27000156	PAN HEAD SCREW M5X20	6		
151	JM23000156	POWER SUPPLY CORD ASSY EUR O	1		
152	JM27000094	CORD GUARD	1		
153	JM27000085	KNOB NUT M10	1		
154	JM00000147	TOOL CASE ASSY	1		
155	JM00000135	HEX NUT M10	1		
156	JM27000003	FLAT WASHER 10	1		
157	JM27000104	HEX BOLT M10X45	1		
158	JM27000102	CORD CLAMP	1		
159	JM27000103	TAPPING SCREW ST3.9X16	2		
160	JM27000332	R-TYPE CABLE CLAMP	2		
161	JM27000109	WASHER 4 (L)	2		
162	JM27000004	SELF TAPPING SCREW ST3.9X12	2		
163	JM27000108	UNDER PANEL	1		
164	JM27000109	WASHER 4 (L)	6		
165	JM27000004	SELF TAPPING SCREW ST3.9X12	6		
167	JM00000009	NAME PLATE	1		
168	JM27000143	SUPPORT PLATE FOR ADJUST RA CK	1		
169	JM27000144	FLAT HEAD SCREW M5X8	4		
170	JM27000145	RIP FENCE HOLDER	1		
171	JM27000109	WASHER 4 (L)	2		
172	JM27000004	SELF TAPPING SCREW ST3.9X12	2		
173	JM27000183	HEX LOCK NUT M5	3		
174	JM27000142	BLADE ANGLE ADJUSTING RACK	1		
175	JM27000317	FLAT HEAD SCREW M5X16	3		
176	JM27000110	FRONT PANEL LABEL	1		
177	JM27000166	ADJUSTING GRIP FOR BLADE AN GLE	1		
178	JM27000167	PAN HEAD SCREW M5X12	1		
179	JM27000155	FLAT WASHER 5	1		
180	JM00000152	CRANK FOR BLADE LIFTING	1		
181	JM00000151	HEX NUT M5	1		
182	JM27000155	FLAT WASHER 5	1		
183	JM00000153	GRIP FOR BLADE LIFTING	1		
184	JM27000169	PAN HEAD STEPPED SCREW M5X 37	1		

185	JM27000164	BLADE ANGLE POINTER		1		
186	JM27000009	FLAT WASHER 4		1		
187	JM27000013	SPRING WASHER 4		1		
188	JM27000027	PAN HEAD SCREW M4X10		1		
189	JM27000141	FLAT WASHER 10		1		
190	JM27000140	COMPRESSION SPRING		1		
191	JM27000139	BLADE ANGLE LOCKING BOLT		1		
192	JM27000032	HEX NUT M6		1		
193	JM27000138	LOCK HANDLE FOR BLADE ANGLE		1		
194	JM27000137	HEX SOCKET HEAD BOLT M6X12		1		
195	JM27080020	WARNING LABEL		1		
196	JM27000113	MAKITA LOGO PLATE		1		
197	JM27000114	TAPPING SCREW ST2.9X10		2		
198	JM27000115	SOFT START DEVICE COVER		1		
199	JM27000117	TAPPING SCREW ST2.9X8		2		
200	JM27000116	SOFT START DEVICE		1		
201	JM27000004	SELF TAPPING SCREW ST3.9X12		2		
202	JM00000157	GROMMET		1		
203	JM27000118	CORD CLAMP		1		
204	JM27000119	SWITCH BOX COVER		1		
205	JM27000121	CIRCUIT BREAKER 220-240V		1		
206	JM27000120	SWITCH BOX		1		
207	JM00000155	CORD CLAMP		1		
208	JM27000114	TAPPING SCREW ST2.9X10		2		
209	JM27000342	CAPACITOR		1		
210	JM00000134	FERRITE RING		1		
211	JM27000122	LABEL FOR CIRCUIT BREAKER		1		
212	JM27000123	NUT FOR CIRCUIT BREAKER		1		
213	JM27000136	PAN HEAD SCREW M4X14		2		
214	JM27000443	ANTI RESTART SWITCH 220-240V		1		
215	JM27000037	TAPPING SCREW ST3.9X8		6		
216	JM27000036	SLIDING TABLE COVER		2		
217	JM27000035	SLIDING TABLE		1		
218	JM27000034	PLATE NUT M4		1		
219	JM27000031	SLIDE LIMITER LOWER REAR		1		
220	JM27000009	FLAT WASHER 4		2		
221	JM27000013	SPRING WASHER 4		2		
222	JM27000011	PAN HEAD SCREW M4X12		2		
223	JM27000033	HEX BOLT M6X10		12		
224	JM27000022	V-SLIDER RAIL OUTSIDE		1		
225	JM27000014	SQUARE SLIDER RAIL OUTSIDE		1		
226	JM27000033	HEX BOLT M6X10		3		
227	JM27000018	RACK FOR SLIDE TABLE		1		
228	JM27000024	FLAT WASHER 6		3		
229	JM27000032	HEX NUT M6		3		
230	JM27000024	FLAT WASHER 6		12		
231	JM27000032	HEX NUT M6		12		
232	JM00000149	SLIDE RAIL ASSY		1		
233	JM27000021	V-SLIDER RAIL END CAP		2		
234	JM27000020	SQUARE SLIDER RAIL END CAP		2		
235	JM27000029	E SHAPE RETAINING RING 6		2		

236	JM27000025	PINION GEAR FOR SLIDE TABLE	1			
237	JM27000028	PINION GEAR AXLE	1			
238	JM27000009	FLAT WASHER 4	2			
239	JM27000013	SPRING WASHER 4	2			
240	JM27000027	PAN HEAD SCREW M4X10	2			
241	JM27000016	PAN HEAD SCREW M6X10	12			
242	JM27000024	FLAT WASHER 6	12			
243	JM27000022	V-SLIDER RAIL OUTSIDE	1			
244	JM27000014	SQUARE SLIDER RAIL OUTSIDE	1			
245	JM27000011	PAN HEAD SCREW M4X12	4			
246	JM27000013	SPRING WASHER 4	4			
247	JM27000009	FLAT WASHER 4	4			
248	JM27000012	SLIDE LIMITER LOWER REAR	1			
249	JM27000019	SLIDE LIMITER LOWER FRONT	1			
250	JM27000016	PAN HEAD SCREW M6X10	3			
251	JM27000024	FLAT WASHER 6	3			
252	JM27000018	RACK FOR SLIDE TABLE	1			
253	JM27000008	SLIDE TABLE BASE	1			
254	JM27000005	GRIP (OUTSIDE)	1			
255	JM27000006	GRIP (INSIDE)	1			
256	JM27000004	SELF TAPPING SCREW ST3.9X12	2			
257	JM27000007	HEX LOCK NUT M4	2			
258	JM00000154	WAVE WASHER 4	2			
259	JM27000010	SLIDE TABLE STOPPER	2			
260	JM27000009	FLAT WASHER 4	2			
261	JM27000011	PAN HEAD SCREW M4X12	2			
262	JM27000327	SLIDING TABLE BASE FIX PLATE	2			
263	JM27000003	FLAT WASHER 10	4			
264	JM27000002	SPRING WASHER 10	4			
265	JM27000001	HEX BOLT M10X35	4			
266	JM27000217	THUMB SCREW M10X92	1			
267	JM27000218	WISE ARM	1			
268	JM27000219	WISE PLATE	1			
269	JM27000009	FLAT WASHER 4	1			
270	JM27000013	SPRING WASHER 4	1			
271	JM27000027	PAN HEAD SCREW M4X10	1			
272	JM27000210	THUMB SCREW M6X13	1			
273	JM27000216	WISE ROD	1			
274	JM27000213	THUMB SCREW M6X62	1			
275	JM27000024	FLAT WASHER 6	1			
276	JM27000220	FENCE END CAP	1			
277	JM27000221	FENCE PLATE	1			
278	JM27000222	SQUARE NECK BOLT M6X30	2			
279	JM27000220	FENCE END CAP	1			
280	JM27000223	ANGLE RULE BASE	1			
281	JM27000215	GRIP SCREW M8X20	1			
282	JM27000212	WASHER 8	1			
283	JM27000211	WASHER 6 (L)	2			
284	JM27000203	THUMB NUT M6	2			
285	JM27000214	SCALE LABEL	1			
286	JM27000209	PAN HEAD SCREW M3X8	1			

287	JM27000208	FLAT WASHER 3		1		
288	JM27000207	POINTER		1		
289	JM27000210	THUMB SCREW M6X13		1		
290	JM27000206	SLIDING BAR		1		
291	JM27000225	SLIDING BAR SPACER		1		
292	JM27000066	FLAT HEAD SCREW M4X8		2		
293	JM27000205	FENCE END CAP		1		
294	JM27000201	FENCE BAR		1		
295	JM27000204	SQUARE NECK BOLT M6X60		2		
296	JM27000200	FENCE END CAP		1		
297	JM27000149	HEX SOCKET HEAD BOLT M6X20		2		
298	JM27000017	SPRING WASHER 6		2		
299	JM27000024	FLAT WASHER 6		2		
300	JM27000199	FENCE BRACKET		1		
301	JM27000211	WASHER 6 (L)		2		
302	JM27000203	THUMB NUT M6		2		
303	JM27000198	PAN HEAD SCREW M4X8		1		
304	JM27000009	FLAT WASHER 4		1		
305	JM27000197	POINTER		1		
306	JM27000190	FRICITION PAD		1		
307	JM27000066	FLAT HEAD SCREW M4X8		1		
308	JM27000186	GRIP SCREW M8X10		1		
309	JM00000148	RIP FENCE BRACKET ASSY		1	*	
D10		INC. 310-319				
309-1	JM00000265	RIP FENCE BRACKET ASSY	O	1		
D10		INC. 310-319				
310	JM27000192	RIP FENCE BRACKET		1	*	
310-1	JM00000264	RIP FENCE BRACKET	O	1		
311	JM27000191	KNURLED PIN 5X30		1		
312	JM27000024	FLAT WASHER 6		1		
313	JM27000196	HEX BOLT M6X35		1		
314	JM27000188	KNURLED PIN 8X30		1		
315	JM27000187	SPRING PIN 4X30		1		
316	JM27000189	ECCENTRIC RING		1		
317	JM27000194	RIP FENCE FIXED PLATE		1		
318	JM27000024	FLAT WASHER 6		1		
319	JM27000193	COMPRESSION SPRING		1		
320	JM27000325	RETAINING RING S-16		1		
321	JM27000324	HELICAL GEAR 43		1		
322	JM27000321	SPINDLE SHAFT 5/8"		1		
323	JM27000320	RETAINING RING R-35		1		
324	JM27000319	BALL BEARING 6003RS		1		
325	JM27000318	BEARING BOX		1		
326	JM27000317	FLAT HEAD SCREW M5X16		3		
327	JM27000323	KEY 5X6.5X16		1		
328	JM27000294	BRUSH CAP		2		
329	JM23000123	CARBON BRUSH 2PCS/SET		1		
330	JM00000150	MOTOR HOUSING ASSY		1		
331	JM27000361	RUBBER RING		1		
332	JM27000445	BALL BEARING 6001RS		1		
333	JM27000302	STATOR ASSY 230V		1		
334	JM27000155	FLAT WASHER 5		2		

335	JM27000305	TAPPING SCREW ST4.8X70		2		
336	JM27000309	ARMATURE ASSY 230V		1		
D10		INC. 331,332,337				
337	JM27000446	BALL BEARING 6201RS		1		
338	JM27000313	BAFFLE RING		1		
339	JM27000424	GEAR BOX ASSEMBLY		1		
340	JM27000155	FLAT WASHER 5		4		
341	JM27000048	SPRING WASHER 5		4		
342	JM27000316	PAN HEAD SCREW M5X35		4		
343	JM27000292	PAN HEAD SCREW M5X8		2		
344	JM27000155	FLAT WASHER 5		2		
345	JM27000293	AIR INLET COVER PLATE		1		
346	JM00000156	VINYL TUBE		1		
347	JM27000299	CORD CLAMP		1		
348	JM27000009	FLAT WASHER 4		2		
349	JM27000004	SELF TAPPING SCREW ST3.9X12		2		
350	JM00000379	SLIDING TABLE ASSEMBLY		1		
D10		INC. 215-265				
A01	JM00000045	PUSH STICK		1		
A02	JM27000087	WRENCH 24		2		
A03	JM27000329	HEX WRENCH 6		1		
A04	JM27000328	TRIANGLE PLATE		1		

Please state Parts No. when your order.

Print Date 12/11/2023