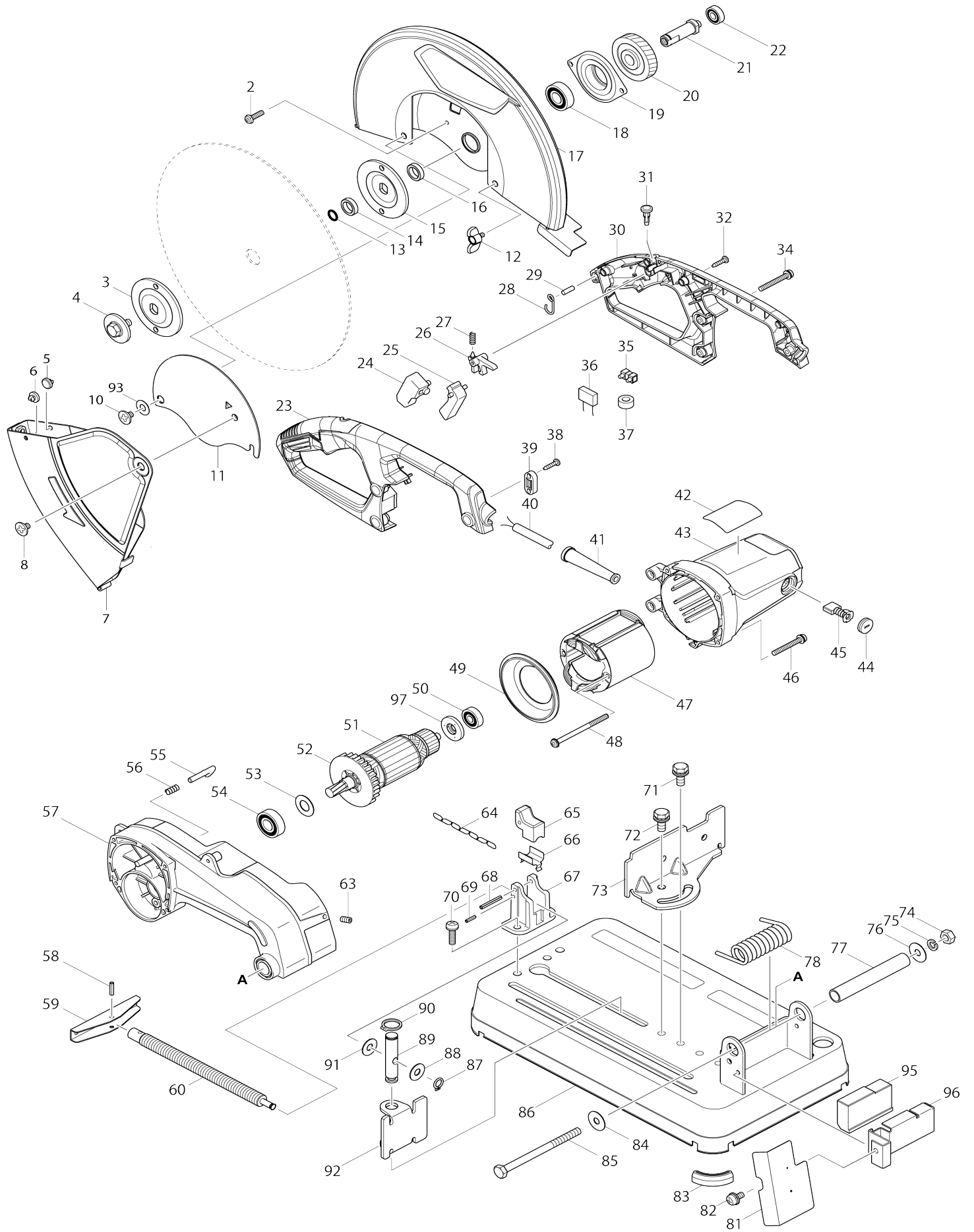


Model No.MT242 355MM PORTABLE CUT-OFF



Model No.MT242 355MM PORTABLE CUT-OFF

Item No.	Parts No.	Description	Interchangeability	Q'ty	New/Old	Note1	Note2
002	265122-5	PAN HEAD SCREW M5X20		4			
003	224456-5	FLANGE 90		1			
004	251680-7	HEX. BOLT M10X25		1			
005	418142-0	PLUG		1			
006	418142-0	PLUG		1			
007	165707-6	SAFETY GUIDE		1	*		
007-1	165707-6	SAFETY GUIDE	O	1			
008	265121-7	+ FLAT HEAD SCREW M6		1			
010	265121-7	+ FLAT HEAD SCREW M6		1			
011	346635-6	CENTER COVER		1			
012	265754-8	THUMB SCREW M6X12		1			
013	213180-5	O RING 14		1			
014	257255-0	RING 17		1			
015	224456-5	FLANGE 90		1			
016	257255-0	RING 17		1			
017	165706-8	SAFETY COVER		1			
018	211282-1	BALL BEARING 6203ZZ		1			
019	317663-8	BEARING BOX		1			
020	226572-9	HELICAL GEAR 49		1			
021	324321-9	SPINDLE		1			
022	210067-2	BALL BEARING 6000ZZ		1			
023	187128-2	HANDLE SET		1			
D10		INC. 30					
024	650545-4	SWITCH TGA115CT-2		1			
025	418140-4	SWITCH LEVER		1			
026	418139-9	SWITCH LOCK		1			
027	231397-8	COMPRESSION SPRING 4		1			
028	281216-8	HANGER		1			
029	268101-2	PIN 6		1			
030	187128-2	HANDLE SET		1			
D10		INC. 23					
031	418138-1	SWITCH BUTTON		1			
032	266326-2	TAPPING SCREW 4X18		4			
034	265104-7	PAN HEAD SCREW M5X40		3			
035	654588-8	TERMINAL BLOCK		1	*		
035-1	654532-5	TERMINAL BLOCK 1P	O	1			
036	645191-6	NOISE SUPPRESSOR		1			
037	688131-1	LINE FILTER		1	*		
037-1	688131-1	LINE FILTER	O	1			
038	266326-2	TAPPING SCREW 4X18		2			
039	687124-5	STRAIN RELIEF		1			
040	665872-6	POWER SUPPLY CORD 1.0-2-3.0		1	*		
040-1	695485-9	POWER SUPPLY CORD 1.0-2-3.0	O	1	*		
040-2	665872-6	POWER SUPPLY CORD 1.0-2-3.0	O	1			
041	682540-6	CORD GUARD 9.3-90		1			
042	897918-2	MT242 NAME PLATE		1			
043	140939-6	MOTOR HOUSING COMPLETE		1			

C10	643564-7	BRUSH HOLDER		2		
044	643700-5	BRUSH HOLDER CAP 7-18		2		
045	191953-5	CARBON BRUSH CB-203		1	*	
045-1	194991-6	CARBON BRUSH SET CB203	O	1		
046	265104-7	PAN HEAD SCREW M5X40		4		
047	596249-3	FIELD ASS'Y 240V		1		
C10	654237-7	RING TERMINAL		2	*	
C11	654451-5	RING TERMINAL	O	2		
C20	654502-4	CONNECTOR P-2		2	*	
C21	654486-6	PARALLEL SPLICE	>	2		
048	266328-8	TAPPING SCREW 5X80		2		
049	418143-8	BAFFLE PLATE		1		
050	210070-3	BALL BEARING 6200ZZ		1		
051	517864-0	ARMATURE ASS'Y 240V		1		
D10		INC. 50,52-54,97				
052	240063-6	FAN 80		1		
053	267274-8	FLAT WASHER 15		1		
054	211240-7	BALL BEARING 6202ZZ		1		
055	324322-7	STOPPER		1		
056	233372-0	COMPRESSION SPRING 7		1		
057	153600-6	GEAR HOUSING COMPLETE		1		
C10	263029-9	RUBBER PIN 6		1		
058	951163-4	SPRING PIN 5-20		1		
059	272027-2	HANDLE 120		1		
060	324323-5	WISE SCREW		1	*	
060-1	326802-9	WISE SCREW	O	1		
063	251961-9	H.S.SET SCREW(FLAT POINT)M6X 10		1		
064	282015-1	CHAIN		1		
065	313114-9	WISE NUT		1		
066	345311-9	PLATE		1		
067	317662-0	SCREW GUIDE		1		
068	951175-7	SPRING PIN 5-36		1		
069	951110-5	SPRING PIN 4-16		1		
070	265125-9	PAN HEAD SCREW M8X30		2		
071	265508-3	HEX.BOLT M10X25		1		
072	265508-3	HEX.BOLT M10X25		1		
073	346637-2	GUIDE PLATE		1		
074	252183-4	HEX.NUT M10-17		1		
075	942251-8	SPRING WASHER 10		1		
076	267258-6	FLAT WASHER 10		1		
077	331648-0	PIPE 20-128		1		
078	231667-5	TORSION SPRING 24		1		
081	165705-0	SPARK GUARD		1		
082	265144-5	PAN HEAD SCREW M6X12		1		
083	421834-2	CUSHION		3		
084	267258-6	FLAT WASHER 10		1		
085	265509-1	HEX.BOLT M10X140		1		
086	165373-9	BASE		1		
087	961004-6	RETAINING RING (EXT) S-8		1		
088	267257-8	FLAT WASHER 8		1		
089	256545-8	PIN 16		1		

090	961056-7	RETAINING RING S-16		1		
091	267257-8	FLAT WASHER 8		1		
092	346636-4	WISE PLATE		1		
093	941152-7	FLAT WASHER 6		1		
095	421870-8	RUBBER BLOCK		1		
096	345443-2	RUBBER CASE		1		
097	681630-2	INSULATION WASHER		1		
098	253903-9	WAVE WASHER 6		1		
A01	782210-8	SOCKET WRENCH 17		1		
A02	B-19881-5	14" CUT-OFF WHEEL 5PCS		1		

Please state Parts No. when your order.

Print Date 12/05/2023