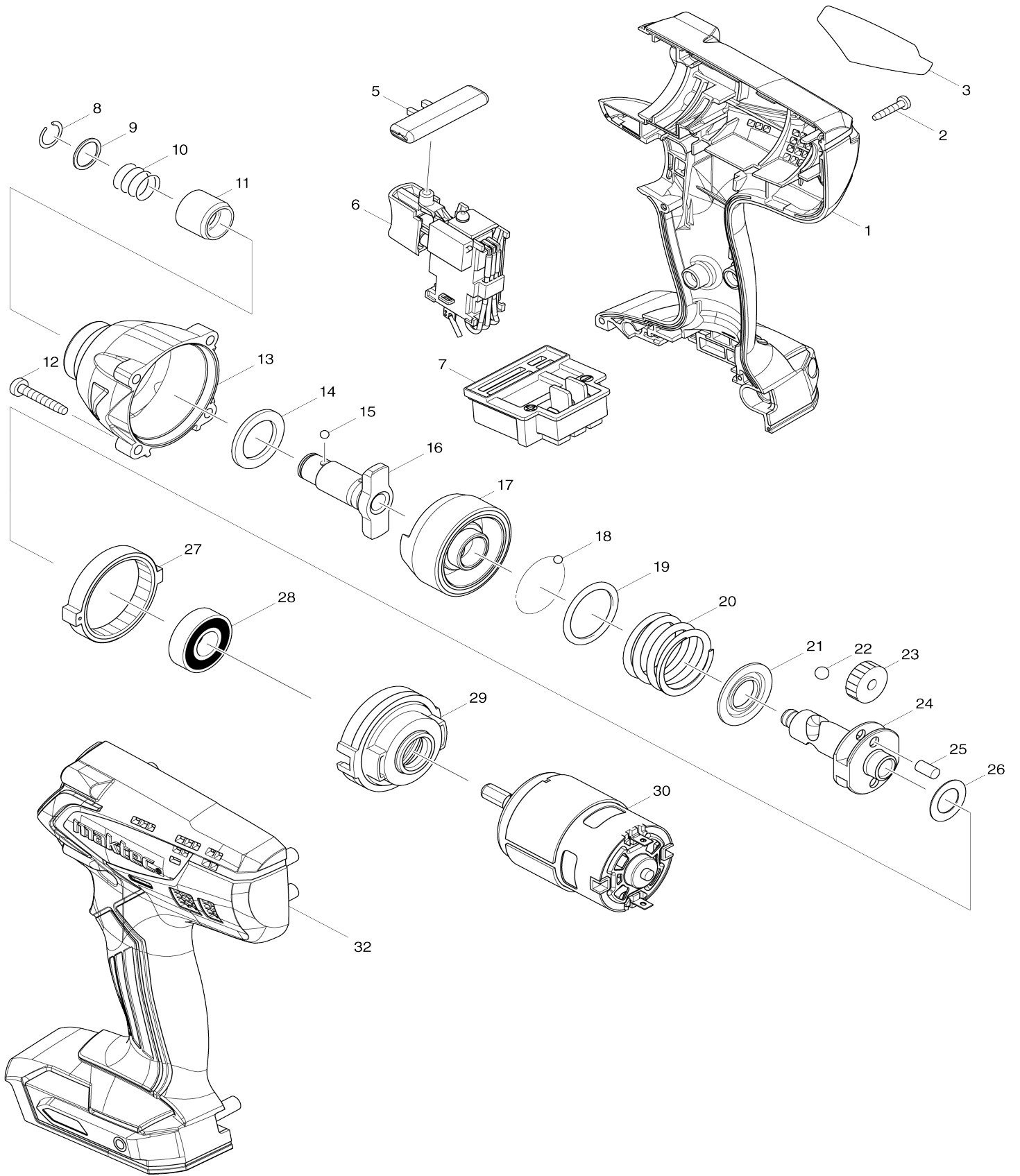


Model No.MT690 CORDLESS IMPACT DRIVER



Model No.MT690 CORDLESS IMPACT DRIVER

Item No.	Parts No.	Description	Interchangeability	Q'ty	New/Old	Note1	Note2
001	187419-1	HOUSING SET		1			
C10	252126-6	HEX. LOCK NUT M4-7		2			
D10		INC. 32					
002	266429-2	TAPPING SCREW 3X16		8			
003	897659-0	Name plate MT690		1			
005	453055-8	F/R CHANGE LEVER		1			
006	632A37-1	SWITCH UNIT		1			
C10	688165-4	LINE FILTER		1			
007	643868-7	TERMINAL		1			
008	231951-8	RING SPRING 11		1			
009	267085-1	FLAT WASHER 12		1			
010	233005-7	COMPRESSION SPRING 13		1			
011	324420-7	SLEEVE		1			
012	266374-1	TAPPING SCREW 4X25		4			
013	141725-8	HAMMER CASE COMPLETE		1			
014	261151-6	NYLON WASHER 19		1			
015	216001-0	STEEL BALL 3.5		2	*		
015-1	216040-0	STEEL BALL 3.5	O	2			
016	326188-1	ANVIL M		1			
017	326110-8	HAMMER		1			
018	216001-0	STEEL BALL 3.5		24	*		
018-1	216040-0	STEEL BALL 3.5	O	24			
019	267175-0	FLAT WASHER 24		1			
020	234074-1	COMPRESSION SPRING 25		1			
021	267766-7	CUP WASHER 14		1			
022	216011-7	STEEL BALL 5.6		2	*		
022-1	216041-8	STEEL BALL 5.6	O	2			
023	226336-1	SPUR GEAR 22		2	*		
023-1	227362-3	SPUR GEAR 22	<	2			
024	326109-3	SPINDLE		1			
025	256253-1	PIN 5		2			
026	267212-0	FLAT WASHER 12		1			
027	227279-0	INTERNAL GEAR 51		1			
028	210107-6	BALL BEARING 6001ZZ		1			
029	453056-6	INTERNAL GEAR CASE		1			
030	629971-8	DC motor		1			
032	187419-1	HOUSING SET		1			
C10	252126-6	HEX. LOCK NUT M4-7		2			
D10		INC. 1					
A01	452652-7	BATTERY COVER		1			
A02	***DC1851	DC1851 BATTERY CHARGER		1			
A03	195419-7	BATTERY L1451 SET		2	*		
A03-1	196377-0	BATTERY L1453 SET	O	2	*		
A03-2	198192-8	BATTERY BL1415G SET	O	2	*		
A03-3	198192-8	BATTERY BL1415G SET	O	2			
A05	800G45-8	Plastic case label MT690E		2			
A06	821553-4	PLASTIC CASE		1			

C10	452143-8	SHAFT		2			
C20	452180-2	SLIDE LATCH		2			
C30	819906-9	MAKTEC LOGO LABEL		1			

Please state Parts No. when your order.

Print Date 21.11.2023