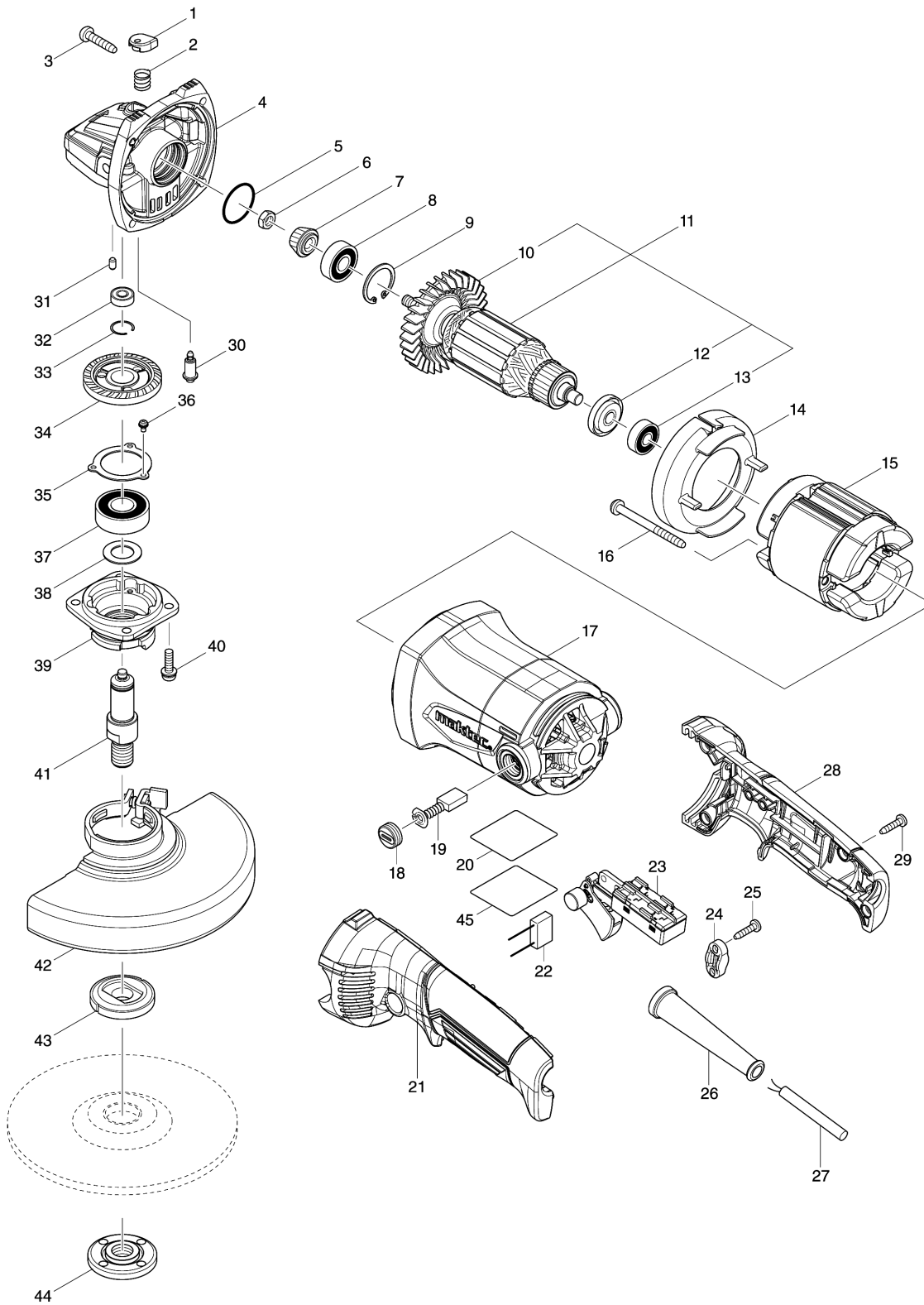


Model No.MT905 150MM ANGLE GRINDER



Model No.MT905 150MM ANGLE GRINDER

Item	Parts No.	Description	I/C	Qty	New/Old	Opt. 1	Opt. 2	Note
001	417771-6	PIN CAP		1				
002	234057-1	COMPRESSION SPRING 8		1				
003	266459-3	TAPPING SCREW 5X25		4				
004	319178-1	GEAR HOUSING		1				
005	213445-5	O-RING 26		1				
006	264010-3	HEX.NUT M7		1				
007	227529-3	SPIRAL BEVEL GEAR 11A		1				
008	210059-1	BALL BEARING 6000DDW		1				
009	962105-3	RETAINING RING R-26		1				
010	240094-5	FAN 70		1				
011	513929-6	ARMATURE ASS'Y 240V		1				
D10		INC. 10,12,13						
012	681644-1	INSULATION WASHER		1				
013	210029-0	BALL BEARING 608ZZ		1				
014	455301-5	BAFFLE PLATE		1				
015	594669-5	FIELD ASS'Y 240V		1				
C10	654220-4	RING TERMINAL		2	*			
C11	654449-2	RING TERMINAL	O	2				
C20	654501-6	CONNECTOR P-1.25		2	*			
C21	654485-8	PARALLEL SPLICE	>	2				
016	266329-6	TAPPING SCREW 5X60		2				
017	142868-9	MOTOR HOUSING COMPLETE		1				
C10	644501-4	BRUSH HOLDER 5X11		2				
018	644500-6	HOLDER CAP 7X11		2	*			
018-1	643750-0	BRUSH HOLDER CAP 7-11	O	2				
019	191963-2	CARBON BRUSH CB-303		1	*			
019-1	194996-6	CARBON BRUSH SET CB-303	O	1				
020	850G74-1	MT905 NAME PLATE		1				
021	187951-5	HANDLE SET		1				
D10		INC. 28						
022	645240-9	NOISE SUPPRESSOR		1				
023	650112-5	SWITCH TN31-1		1	*			
023-1	650116-7	SWITCH TN31-1	<	1	*			
023-2	650116-7	SWITCH TN31-1	O	1				
024	687124-5	STRAIN RELIEF		1				
025	266326-2	TAPPING SCREW 4X18		2				
026	682540-6	CORD GUARD 9.3-90		1				
027	665852-2	POWER SUPPLY CORD 1.0-2-2.0		1	*			
027-1	695454-0	POWER SUPPLY CORD 1.0-2-2.0	O	1	*			
027-2	665852-2	POWER SUPPLY CORD 1.0-2-2.0	O	1				
028	187951-5	HANDLE SET		1				
D10		INC. 21						
029	266326-2	TAPPING SCREW 4X18		4				
030	256505-0	SHOULDER PIN 5		1				

Please order the parts with part number.

Print Date 19/10/2023

Model No.MT905 150MM ANGLE GRINDER

Item	Parts No.	Description	I/C	Qty	New/Old	Opt. 1	Opt. 2	Note
031	263002-9	RUBBER PIN 4		1				
032	210033-9	BALL BEARING 696ZZ		1				
033	233925-5	RING SPRING 13		1				
034	227638-8	SPIRAL BEVEL GEAR 38		1				
035	285728-3	BEARING RETAINER 39		1				
036	911003-8	PAN HEAD SCREW M3X6		3				
037	211241-5	BALL BEARING 6202DDW		1				
038	267274-8	FLAT WASHER 15		1				
039	319179-9	BEARING BOX		1				
040	265131-4	PAN HEAD SCREW M5X18		4				
041	326434-2	SPINDLE		1				
042	123230-7	WHEEL COVER 150AK ASSEMBLY		1				
C10	213009-5	O RING 4		1				
C20	265180-1	PAN HEAD SCREW M5X16		1				
043	224415-9	INNER FLANGE 42		1				
044	224554-5	LOCK NUT 14-45		1				
045	804V25-6	CLEAR LABEL		1				
A01	153504-2	GRIP 36 COMPLETE		1				
A02	782423-1	LOCK NUT WRENCH 35		1				

Please order the parts with part number.

Print Date 19/10/2023