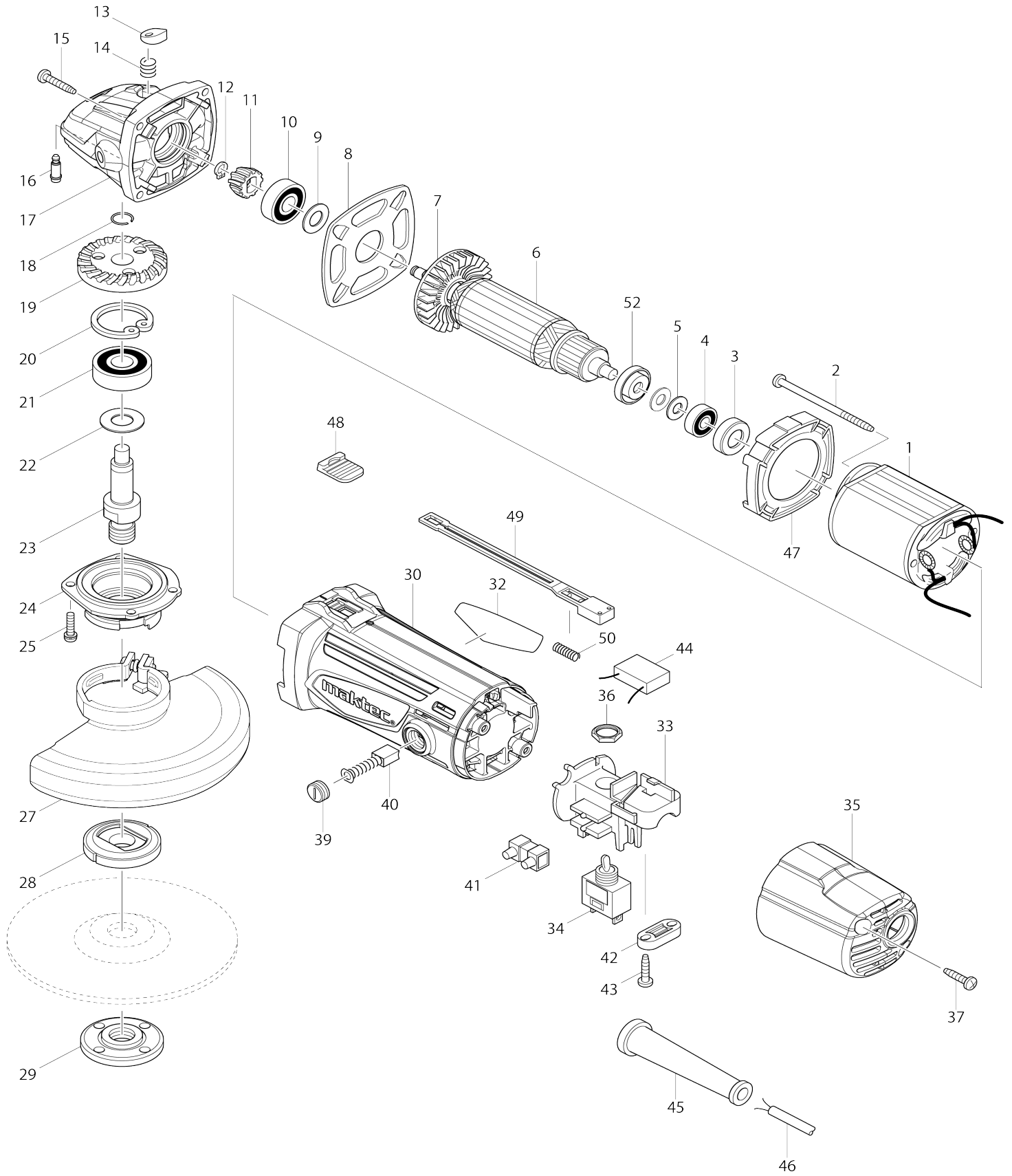


# Model No.MT963 125MM ANGLE GRINDER



Model No.MT963 125MM ANGLE GRINDER

Item No.	Parts No.	Description	Interchangability	Q'ty	New/Old	Note1	Note2
001	593523-0	FIELD ASS'Y 220-240V		1			
C10	654221-2	RING TERMINAL		2	*		
C11	654450-7	RING TERMINAL	O	2			
C20	654501-6	CONNECTOR P-1.25		2	*		
C21	654485-8	PARALLEL SPLICE	>	2			
002	266325-4	TAPPING SCREW 4X70		2			
003	421808-3	RUBBER RING 19		1			
004	210062-2	BALL BEARING 607ZZ		1			
005	267245-5	FLAT WASHER 7		2			
006	510173-6	ARMATURE ASSEMBLY 240V		1			
D10		INC. 4,5,7,52					
007	240059-7	FAN 50		1			
008	285704-7	BEARING RETAINER 69		1			
009	267256-0	FLAT WASHER 10		1			
010	210067-2	BALL BEARING 6000ZZ		1	*		
010-1	210199-5	BALL BEARING 6000ZZ	O	1			
011	227451-4	SPIRAL BEVEL GEAR 11		1			
012	961002-0	RETAINING RING S-6		1			
013	417771-6	PIN CAP		1			
014	233376-2	COMPRESSION SPRING 8		1			
015	266324-6	TAPPING SCREW 4X22		4			
016	256486-8	SHOULDER PIN 4		1			
017	140433-8	GEAR HOUSING COMPLETE		1			
C10	213445-5	O-RING 26		1			
018	233950-6	RING SPRING 11		1			
019	227452-2	SPIRAL BEVEL GEAR 36		1			
020	962151-6	RETAINING RING R-32		1			
021	211129-9	BALL BEARING 6201DDW		1			
022	267238-2	FLAT WASHER 12		1			
023	325978-9	SPINDLE		1			
024	318374-8	BEARING BOX		1			
025	265100-5	PAN HEAD SCREW M4X16		4			
027	122887-1	WHEEL COVER 125K ASSY		1	*		
C10	213009-5	O RING 4		1	*		
C20	265180-1	PAN HEAD SCREW M5X16		1	*		
027-1	123099-9	WHEEL COVER 125AK ASSEMBLY	<	1			
C10	213009-5	O RING 4		1			
C20	265180-1	PAN HEAD SCREW M5X16		1			
028	224415-9	INNER FLANGE 42		1			
029	224554-5	LOCK NUT 14-45		1			
030	140434-6	MOTOR HOUSING COMPLETE		1			
C10	643455-2	BRUSH HOLDER 6X9		2			
032	868180-6	MT963 NAME PLATE		1			
033	418397-7	SUPPORT		1			
034	651424-9	SWITCH STL106AT		1			
035	451916-6	REAR COVER		1			
036	652112-1	HEX. NUT		1			

037	266326-2	TAPPING SCREW 4X18		2		
039	643987-9	BRUSH HOLDER CAP 5-8		2		
040	191940-4	CARBON BRUSH CB-411		1	*	
040-1	195010-1	CARBON BRUSH SET CB-411	O	1		
041	654588-8	TERMINAL BLOCK		1	*	
041-1	654532-5	TERMINAL BLOCK 1P	O	1		
042	687124-5	STRAIN RELIEF		1		
043	266326-2	TAPPING SCREW 4X18		2		
044	645190-8	NOISE SUPPRESSOR		1		
045	682569-2	CORD GUARD 8-85		1		
046	665383-1	POWER SUPPLY CORD 1.0-2-2.0		1	*	
046-1	695556-2	POWER SUPPLY CORD 1.0-2-2.0	O	1	*	
046-2	665383-1	POWER SUPPLY CORD 1.0-2-2.0	O	1		
047	418015-7	BAFFLE PLATE		1		
048	418016-5	SWITCH KNOB		1		
049	418017-3	SWITCH LEVER		1		
050	233360-7	COMPRESSION SPRING 4		1		
052	681636-0	INSULATION WASHER		1		
A01	153489-2	GRIP 36 COMPLETE		1		
A02	782423-1	LOCK NUT WRENCH 35		1		

Please state Parts No. when your order.

Print Date 01/29/2024