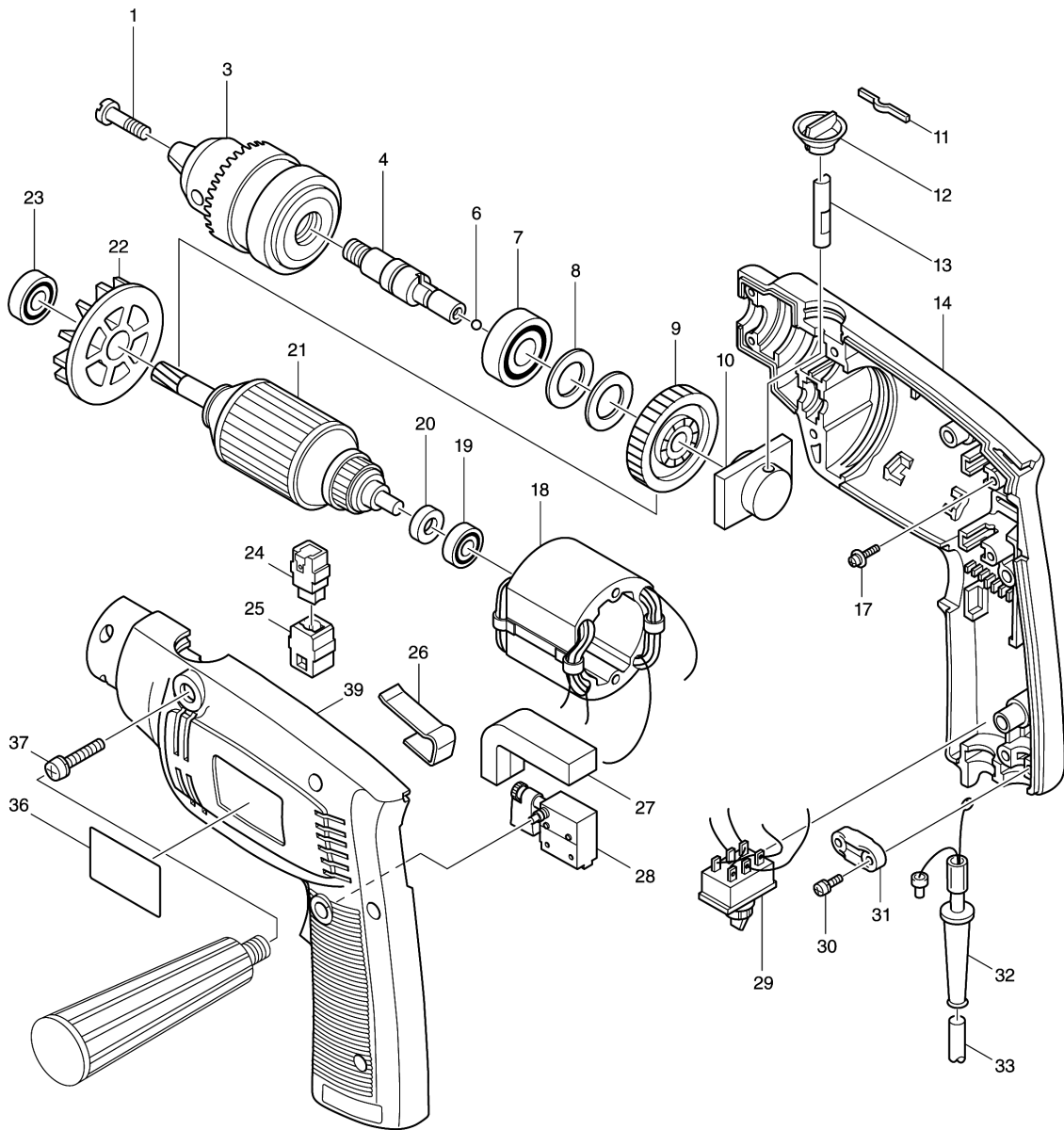


Model No.NHP1300S HAMMER DRILL 13MM



Model No.NHP1300S HAMMER DRILL 13MM

| Item | Parts No. | Description | I/C | Qty | New/Old | Opt. 1 | Opt. 2 | Note |
|-------|-----------|-----------------------------|-----|-----|---------|--------|--------|------|
| 001 | 251425-3 | - FLAT HEAD SCREW M6X22 | | 1 | | | | |
| 003B_ | 192552-6 | DRILL CHUCK S13 | | 1 | * | | | |
| 003B1 | 193067-6 | DRILL CHUCK & KEY SET | O | 1 | | | | |
| 004 | 321292-1 | SPINDLE | | 1 | * | | | |
| 004-1 | 323785-4 | SPINDLE | S | 1 | | | | |
| 005 | 254011-9 | WOODRUFF KEY 4 | | 1 | * | | | |
| 006 | 216002-8 | STEEL BALL 4.8 | | 1 | | | | |
| 007 | 211206-7 | BALL BEARING 6202LLB | | 1 | | | | |
| 008 | 253070-0 | FLAT WASHER 15 | | 2 | | | | |
| 009 | 221663-1 | HELICAL GEAR 62 | | 1 | * | | | |
| 009-1 | 226495-1 | HELICAL GEAR 62 | X | 1 | | | | |
| 010 | 153120-0 | CAM COMPLETE | | 1 | | | | |
| 011 | 232053-3 | LEAF SPRING | | 1 | | | | |
| 012 | 411623-3 | KNOB | | 1 | | | | |
| 013 | 321111-1 | SHIFTER PIN | | 1 | | | | |
| 014H_ | 182783-5 | HOUSING SET | | 1 | | | | |
| D10 | | INC. 39 | | | | | | |
| 016 | 645011-4 | NOISE SUPPRESSOR | | 1 | | | | |
| 017 | 911124-6 | PAN HEAD SCREW M4X14 | | 2 | | | | |
| 018K_ | 633238-8 | FIELD 220V | | 1 | | | | |
| 019 | 211028-5 | BALL BEARING 627LB | | 1 | | | | |
| 020 | 681614-0 | INSULATION WASHER | | 1 | | | | |
| 021K_ | 617018-0 | ARMATURE 220V | | 1 | | | | |
| 022 | 241812-4 | FAN 58 | | 1 | | | | |
| 023 | 211033-2 | BALL BEARING 608LB | | 1 | | | | |
| 024C1 | 191950-1 | CARBON BRUSH CB-415 | | 1 | * | | | |
| 024C2 | 195012-7 | CARBON BRUSH SET CB-415 | O | 1 | | | | |
| 026 | 342460-3 | HOOK | | 1 | | | | |
| 028H_ | 651247-5 | SWITCH 11-12 | | 1 | | | | |
| 029-2 | 651478-6 | SWITCH VTX11 | | 1 | | | | |
| 030A_ | 911133-5 | PAN HEAD SCREW M4X18 | | 2 | | | | |
| 031-1 | 687052-4 | STRAIN RELIEF | | 1 | | | | |
| 032A_ | 682502-4 | CORD GUARD 8-85 | | 1 | | | | |
| 033B_ | 665383-1 | POWER SUPPLY CORD 1.0-2-2.0 | | 1 | | | | |
| 035-1 | 911143-2 | PAN HEAD SCREW M4X22 | | 6 | | | | |
| 036 | 815559-2 | NAME PLATE HP1300S | | 1 | | | | |
| 037-1 | 911143-2 | PAN HEAD SCREW M4X22 | | 1 | | | | |
| 039H_ | 182783-5 | HOUSING SET | | 1 | | | | |
| D10 | | INC. 14 | | | | | | |
| 040 | 645011-4 | NOISE SUPPRESSOR | | 1 | | | | |
| 400C_ | 763430-3 | CHUCK KEY S13 | | 1 | | | | |
| 401 | 410102-8 | KEY HOLDER | | 1 | | | | |
| 402F_ | 182791-6 | PLASTIC CARRYING CASE | | 1 | | | | |
| 403B_ | 152488-1 | GRIP 36 COMPLETE | | 1 | * | | | |
| 403B1 | 152491-2 | GRIP 36 COMPLETE | < | 1 | | | | |

Please order the parts with part number.

Print Date 27/12/2023