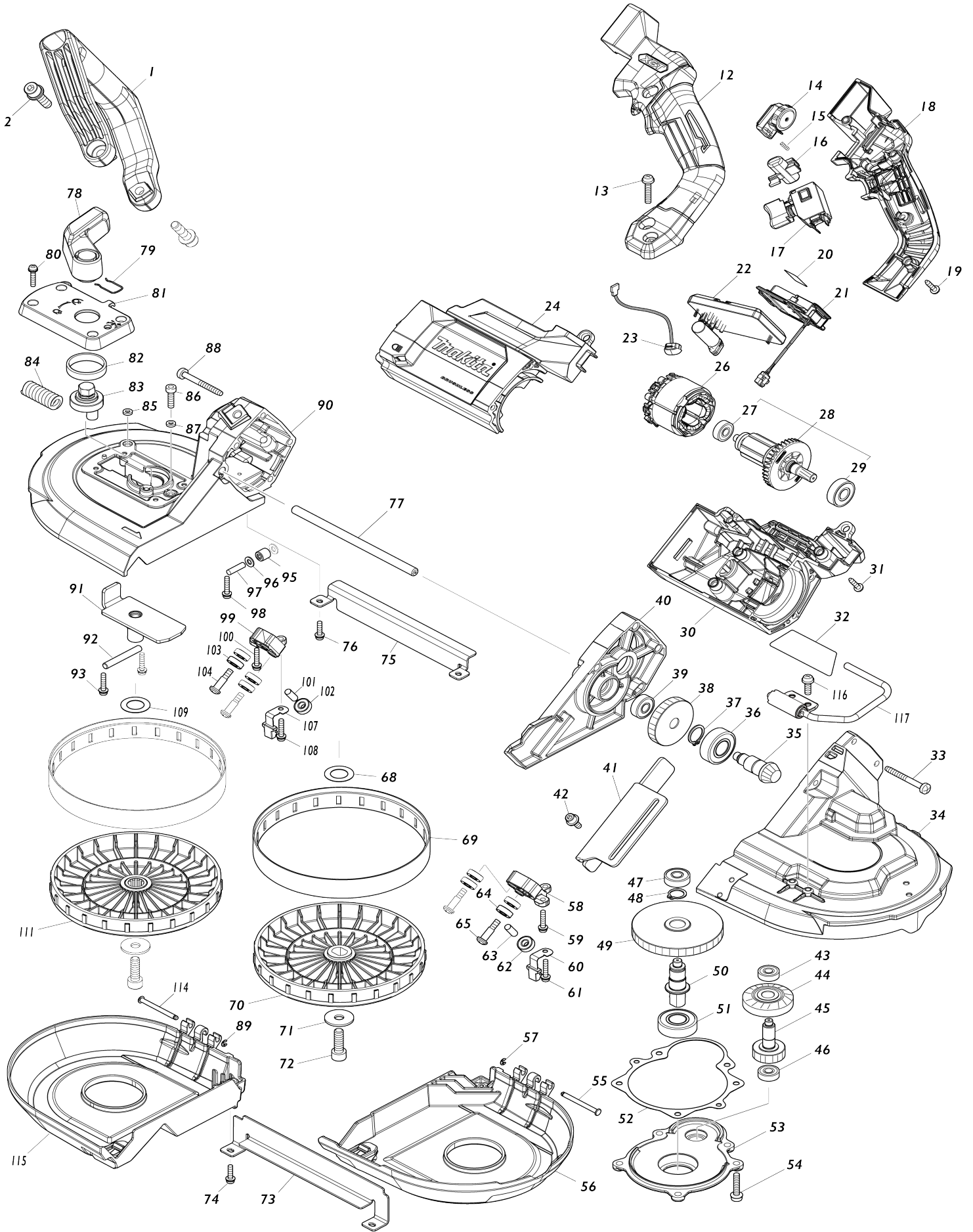


Model No.PB002G CORDLESS PORTABLE BAND SAW



Model No.PB002G CORDLESS PORTABLE BAND SAW

Item No.	Parts No.	Description	Interchangability	Q'ty	New/Old	Note1	Note2
001	273030-6	GRIP		1			
002	922453-2	HEX.SOCKET HEAD BOLT M8X30		2			
012	183V79-9	HANDLE SET		1			
C10	8012U4-2	XGT LOGO LABEL		1			
D10		INC. 18					
013	911243-8	PAN HEAD SCREW M5X25		2			
014	620A64-0	DIAL CURCUIT		1			
015	231433-0	COMPRESSION SPRING 4		1			
016	412551-5	LOCK OFF BUTTON		1			
017	651486-7	SWITCH C3JW-4B-R		1			
018	183V79-9	HANDLE SET		1			
C10	8012U4-2	XGT LOGO LABEL		1			
D10		INC. 12					
019	265995-6	TAPPING SCREW 4X18		4			
020	8116W3-4	PB002G SERIAL NO. LABEL		1			
021	632P49-4	TERMINAL UNIT		1			
022	620J36-9	CONTROLLER		1			
023	620549-0	LED CIRCUIT		1			
024	183V14-7	MOTOR HOUSING SET		1			
C10	263005-3	RUBBER PIN 6		2			
D10		INC. 30					
026	629B03-3	STATOR		1			
027	210017-7	BALL BEARING 607DDW		1			
028	519736-5	ROTOR ASS'Y		1			
D10		INC. 27,29					
029	210141-6	BALL BEARING 6000DDW		1			
030	183V14-7	MOTOR HOUSING SET		1			
C10	263005-3	RUBBER PIN 6		2			
D10		INC. 24					
031	265995-6	TAPPING SCREW 4X18		4			
032	8116V7-9	PB002G NAME PLATE		1			
033	266056-5	TAPPING SCREW 5X45		4			
034	141G83-4	REAR FRAME COMPLETE		1			
C10	263005-3	RUBBER PIN 6		1			
C20	424736-1	SPONGE		1			
035	227930-2	SPIRAL BEVEL GEAR 11		1			
036	211487-3	BALL BEARING 6202DDW		1			
037	961055-9	RETAINING RING S-15		1			
038	227934-4	HELICAL GEAR 61		1			
039	210029-0	BALL BEARING 608ZZ		1			
040	141H06-8	GEAR HOUSING COMPLETE		1			
041	347940-4	STOPPER PLATE		1			
042	922224-7	H.S.H.BOLT M5X16 WITH WG		2			
043	210017-7	BALL BEARING 607DDW		1			
044	227931-0	SPIRAL BEVEL GEAR 29		1			
045	227932-8	SPUR GEAR 12		1			
046	210017-7	BALL BEARING 607DDW		1			

047	210029-0	BALL BEARING 608ZZ		1		
048	961054-1	RETAINING RING S-14		1		
049	227933-6	SPUR GEAR 39		1		
050	327947-6	SPINDLE		1		
051	211487-3	BALL BEARING 6202DDW		1		
052	422845-0	GASKET		1		
053	312C55-4	BEARING BOX		1		
054	911243-8	PAN HEAD SCREW M5X25		5		
055	256689-4	PIN 4		1		
056	413D72-4	REAR WHEEL COVER		1	*	
056-1	141N85-2	REAR WHEEL COVER COMPLETE	S	1		
057	961017-7	STOP RING E-3		1		
058	312C53-8	LOWER HOLDER		1		
059	911138-5	P.H.SCREW M4X20 WITH WR		1		
060	162B33-6	HOOK		1		
061	911138-5	P.H.SCREW M4X20 WITH WR		1		
062	210187-2	BALL BEARING 696ZZ		1		
063	256033-5	PIN 6		1		
064	210187-2	BALL BEARING 696ZZ		4		
065	251337-0	+ PAN HEAD SCREW M5		2		
068	267164-5	FLAT WASHER 15		1		
069	421333-4	RUBBER TIRE		2		
070	413D66-9	WHEEL B		1		
071	253852-0	FLAT WASHER 8		2		
072	265C56-0	H.S. HEAD BOLT M8X25		2		
073	347942-0	SAW GUARD COVER		1		
074	911128-8	P.H.SCREW M4X16 WITH WR		2		
075	347941-2	SAW GUARD		1		
076	911128-8	P.H.SCREW M4X16 WITH WR		2		
077	327948-4	GUARD ROD 8		1		
078	271470-2	LEVER 65		1		
079	231955-0	RING SPRING 12		1		
080	911138-5	P.H.SCREW M4X20 WITH WR		4		
081	413D73-2	LEVER HOLDER		1		
082	214408-4	PLANE BEARING 30		1		
083	326351-6	LEVER SHAFT		1		
084	234313-9	COMPRESSION SPRING 9		1		
085	262130-7	URETHANE RING 4		1		
086	265382-9	HEX. SOCKET HEAD BOLT M5X20		1		
087	262130-7	URETHANE RING 4		1		
088	266056-5	TAPPING SCREW 5X45		4		
089	961017-7	STOP RING E-3		1		
090	141G86-8	FRONT FRAME COMPLETE		1		
C10	263002-9	RUBBER PIN 4		1		
C20	263005-3	RUBBER PIN 6		1		
091	162B48-3	SLIDE PLATE		1		
092	268241-6	PIN 6		1		
093	911138-5	P.H.SCREW M4X20 WITH WR		2		
095	212199-1	NEEDLE BEARING 510		1		
096	267010-2	FLAT WASHER 5		2		
097	256155-1	PIN 5		1		
098	911138-5	P.H.SCREW M4X20 WITH WR		1		

099	312C54-6	UPPER HOLDER		1	*		
099-1	312C54-6	UPPER HOLDER	O	1			
100	911138-5	P.H.SCREW M4X20 WITH WR		1			
101	256033-5	PIN 6		1			
102	210187-2	BALL BEARING 696ZZ		1			
103	210187-2	BALL BEARING 696ZZ		4			
104	251337-0	+ PAN HEAD SCREW M5		2			
107	162B33-6	HOOK		1			
108	911138-5	P.H.SCREW M4X20 WITH WR		1			
109	267164-5	FLAT WASHER 15		1			
111	141G78-7	WHEEL COMPLETE A		1			
114	256689-4	PIN 4		1			
115	413D71-6	FRONT WHEEL COVER		1	*		
115-1	141N84-4	FRONT WHEEL COVER COMPLETE	S	1			
116	911223-4	PAN HEAD SCREW M5X16		2			
117	122B60-5	HOOK ASSEMBLY		1			
118	263027-3	RUBBER PIN 4		1			
A02	783202-0	HEX. WRENCH 4		1			
A08	B-30128	BAND SAW BLADE 10TPI BIM		1			
F01	191897-9	CUTTING WAX		1			

Please state Parts No. when your order.

Print Date 10/26/2023