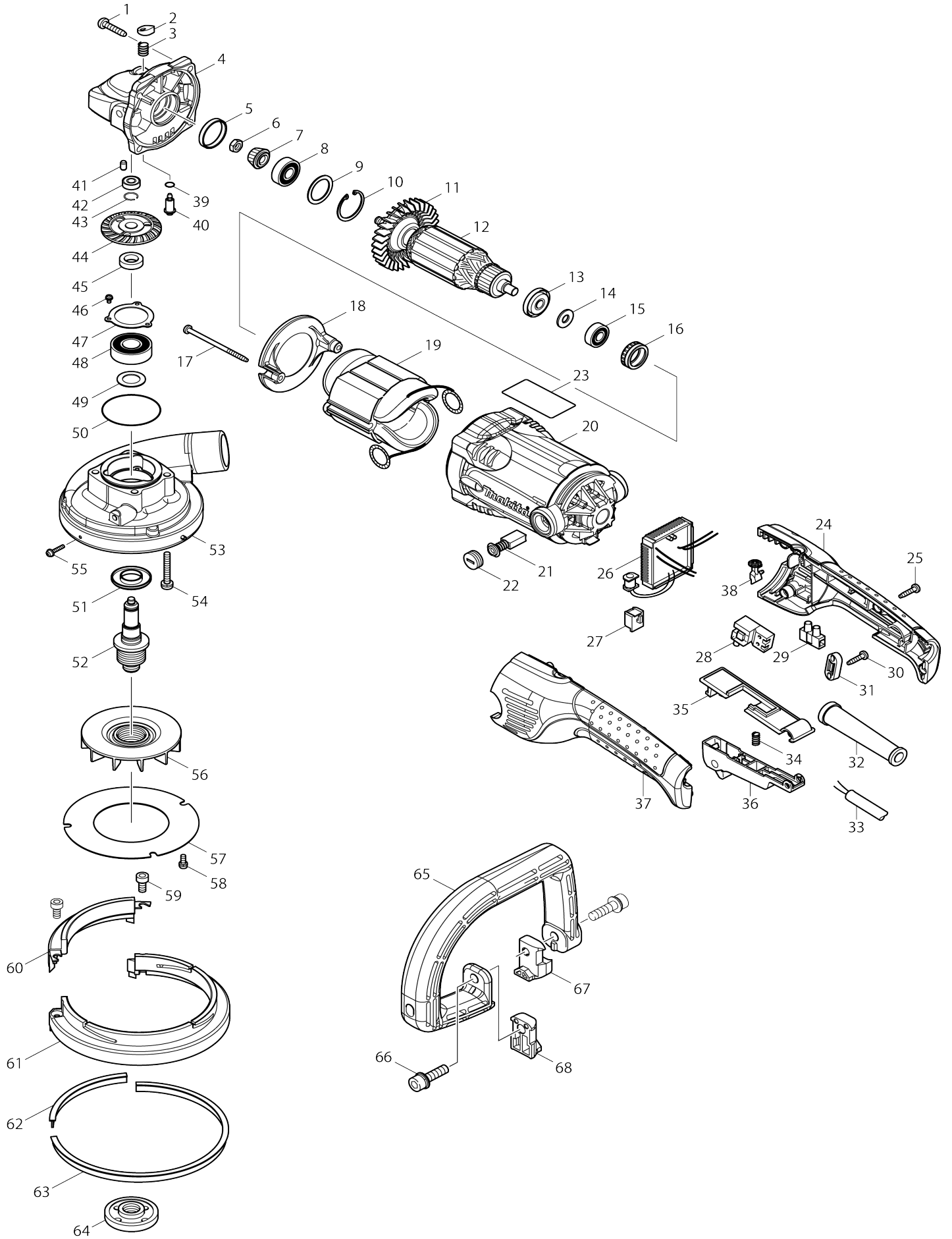


Model No.PC5000C CONCRETE PLANER 125MM



Model No.PC5000C CONCRETE PLANER 125MM

Item No.	Parts No.	Description	Interchangability	Q'ty	New/Old	Note1	Note2
001	266459-3	TAPPING SCREW 5X25		4			
002	417771-6	PIN CAP		1			
003	234057-1	COMPRESSION SPRING 8		1			
004	318158-4	GEAR HOUSING		1			
005	424051-3	RUBBER RING 26		1			
006	264010-3	HEX.NUT M7		1			
007	227520-1	SPIRAL BEVEL GEAR 11		1			
008	211088-7	BALL BEARING 6000DDW		1	*		
008-1	210059-1	BALL BEARING 6000DDW	<	1			
009	267352-4	FLAT WASHER 22		1			
010	962107-9	RETAINING RING (INT) R-30		1			
011	240094-5	FAN 70		1			
012	510094-2	ARMATURE ASS'Y 240V		1	*		
D10		INC. 11,13-15					
012-1	513799-3	ARMATURE ASS'Y 240V	S	1	*		
D10		INC. 11,13-15					
012-2	518685-3	ARMATURE ASS'Y 240V	<	1			
D10		INC. 11,13-15					
013	681660-3	INSULATION WASHER		1			
014	267281-1	FLAT WASHER 8		1			
015	210044-4	BALL BEARING 608DDW		1	*		
015-1	210005-4	BALL BEARING 608DDW	O	1			
016	421720-7	RUBBER RING 22		1			
017	266325-4	TAPPING SCREW 4X70		2			
018	419961-7	BAFFLE PLATE		1			
019	525784-4	FIELD ASS'Y 240V		1	*		
C10	654020-2	RING TERMINAL		2	*		
C20	654501-6	CONNECTOR P-1.25		2	*		
019-1	528819-0	FIELD ASS'Y 240V	S	1			
C10	654020-2	RING TERMINAL		2			
C20	654501-6	CONNECTOR P-1.25		2	*		
C21	654485-8	PARALLEL SPLICE	O	2			
020	140019-8	MOTOR HOUSING COMPLETE		1			
C10	643751-8	BRUSH HOLDER		2			
021	194547-5	CARBON BRUSH CB-253		1			
022	643750-0	BRUSH HOLDER CAP 7-11		2			
023	866345-4	PC5000C NAME PLATE		1			
024	188630-8	HANDLE SET		1			
D10		INC. 37					
025	266326-2	TAPPING SCREW 4X18		4			
026	631799-2	CONTROLLER		1	*		
026-1	620G47-6	CONTROLLER	<	1			
027	418518-1	SLEEVE		1			
028	651922-3	SWITCH TG71B		1	*		
028-1	650677-7	SWITCH C3PA-1112	<	1	*		
028-2	651922-3	SWITCH TG71B	<	1			
029	654575-7	TERMINAL BLOCK		1			

030	266326-2	TAPPING SCREW 4X18		2		
031	687124-5	STRAIN RELIEF		1		
032	682574-9	CORD GUARD 10-90		1		
033	665883-1	POWER SUPPLY CORD 1.0-2-5.0		1		
034	233117-6	COMPRESSION SPRING 6		1		
035	418519-9	SWITCH BASE		1		
036	158401-7	SWITCH LEVER A COMPLETE		1		
037	188630-8	HANDLE SET		1		
D10		INC. 24				
038	450184-8	LENS		1		
039	213977-2	O RING 7		1		
040	256505-0	SHOULDER PIN 5		1		
041	263002-9	RUBBER PIN 4		1		
042	210033-9	BALL BEARING 696ZZ		1		
043	233950-6	RING SPRING 11		1		
044	227521-9	SPIRAL BEVEL GEAR 35A		1		
045	257171-6	RING 12		1	*	
045-1	257171-6	RING 12	O	1		
046	911003-8	PAN HEAD SCREW M3X6		3		
047	285728-3	BEARING RETAINER 39		1		
048	211241-5	BALL BEARING 6202DDW		1		
049	253853-8	FLAT WASHER 15		1		
050	213624-5	O RING 48		1		
051	345464-4	LABYRINTH RING		1		
052	325625-2	SPINDLE		1		
053	158914-8	SKIRT COMPLETE		1	*	
053-1	141021-4	SKIRT B COMPLETE	<	1		
054	911256-9	PAN HEAD SCREW M5X35		4		
055	911024-0	PAN HEAD SCREW M3X14		1		
056	240114-5	FAN 85		1		
057	346045-7	SEPARATOR		1		
058	911115-7	PAN HEAD SCREW M4X10		3		
059	922312-0	HEX. SOCKET HEAD BOLT M6X12		2		
060	424188-6	DUST COVER CAP		1	*	
060-1	424526-2	DUST COVER CAP	S	1		
061	424187-8	DUST COVER		1	*	
061-1	424525-4	DUST COVER	S	1		
062	443145-5	BRUSH B		1	*	
062-1	743341-8	BRUSH B	S	1		
063	443144-7	BRUSH A		1	*	
063-1	743340-0	BRUSH A	S	1		
064	224554-5	LOCK NUT 14-45		1		
065	416256-9	LOOP HANDLE		1		
066	922453-2	HEX.SOCKET HEAD BOLT M8X30		2		
067	450189-8	SPACER A		1		
068	450190-3	SPACER B		1		
069	253828-7	FLAT WASHER 10		1		
A01	122853-8	DUST BAG ASS'Y		1		
A02	410047-0	WRENCH HOLDER 5.6		1		
A03	782426-5	LOCK NUT WRENCH 35		1		
A04	783203-8	HEX. WRENCH 5		1		
A05	140073-2	STEEL CARRYING CASE COMPLET		1		

		E					
C10	819351-8	MAKITA LOGO LABEL		1			
A06	194921-7	BRUSH SET		1	*		
A07	B-12295	OFFSET DIAMOND WHEEL 125		1			

Please state Parts No. when your order.

Print Date 25/10/2023