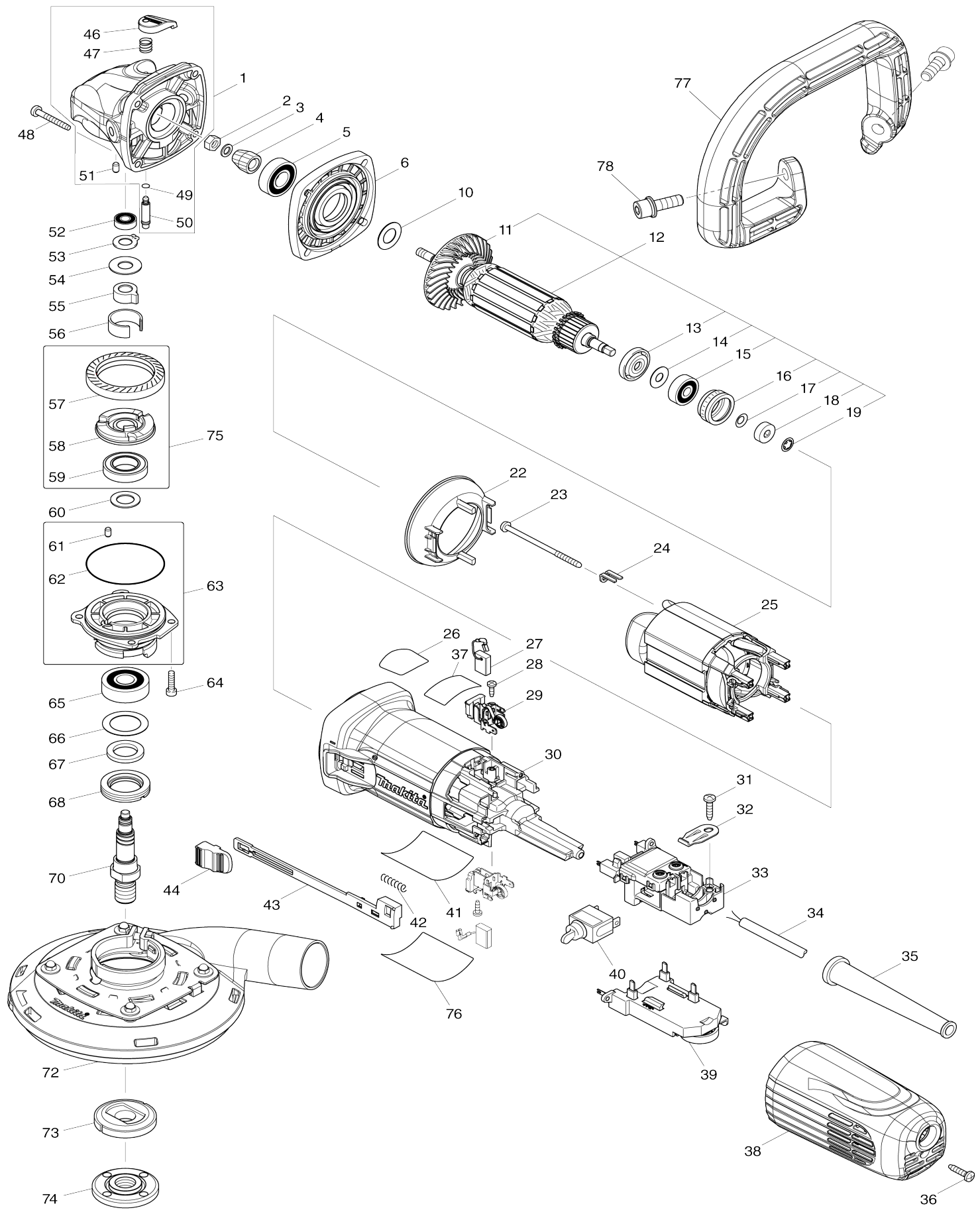


Model No.PC5010C 125MM CONCRETE PLANER



Model No.PC5010C 125MM CONCRETE PLANER

Item No.	Parts No.	Description	Interchangability	Q'ty	New/Old	Note1	Note2
001	136013-6	GEAR HOUSING ASS'Y		1			
D10		INC. 46,47,49-51					
002	252186-8	HEX. NUT M6		1			
003	253077-6	FLAT WASHER 6		1			
004	227593-4	SPIRAL BEVEL GEAR 9		1			
005	211142-7	BALL BEARING 6001LLB		1			
006	141981-0	GEAR HOUSING COVER COMPLETE		1			
010	253084-9	FLAT WASHER 12		1			
011	240134-9	FAN 60		1			
012	510377-0	ARMATURE ASS'Y 220-240V		1	*		
D10		INC. 11,13-19					
012-1	510510-4	ARMATURE ASS'Y 220-240V	<	1			
D10		INC. 11,13-19					
013	681656-4	INSULATION WASHER		1			
014	253823-7	FLAT WASHER 7		1			
015	210027-4	BALL BEARING 627DDW		1			
016	421738-8	LABYRINTH RUBBER RING 22		1	*		
016-1	422750-1	LABYRINTH RUBBER RING 22	<	1			
017	267756-0	WAVE WASHER 6		1			
018	688117-5	MAGNET SLEEVE		1			
019	259039-2	SELF LOCK 6		1			
022	453367-9	BUFFLE PLATE		1			
023	266258-3	TAPPING SCREW 4X70		2			
024	344871-8	RETAINER		2			
025	626653-3	FIELD 220-240V		1			
026	898443-6	SJS2 MARK LABEL		1	*		
027	191978-9	A.C. CARBON BRUSH CB-318		1			
028	266007-8	TAPPING SCREW BIND PT 3X10		2			
029	643770-4	BRUSH HOLDER		2			
030	453366-1	MOTOR HOUSING		1			
031	266326-2	TAPPING SCREW 4X18		1	*		
031-1	265B67-9	TAPPING SCREW 4X18	O	1			
032	687169-3	STRAIN RELIEF		1			
033	632K98-1	SWITCH BLOCK		1			
034	665890-4	POWER SUPPLY CORD 1.0-2-4.0		1			
035	682566-8	CORD GUARD 10		1			
036	266326-2	TAPPING SCREW 4X18		1	*		
036-1	265B67-9	TAPPING SCREW 4X18	O	1			
037	817M63-5	INDICATION LABEL		1			
038	453365-3	REAR COVER C		1			
039	620736-1	CONTROLLER		1	*		
039-1	620G44-2	CONTROLLER	<	1			
040	651418-4	SWITCH ST115A-40		1	*		
040-1	651418-4	SWITCH ST115A-40	O	1			
041	854S18-5	PC5010C NAME PLATE		1			
042	233071-4	COMPRESSION SPRING 4		1			
043	453847-5	SWITCH LEVER		1			

044	453368-7	SWITCH KNOB		1		
046	453369-5	PIN CAP		1		
047	234057-1	COMPRESSION SPRING 8		1		
048	266361-0	TAPPING SCREW 4X30		4	*	
048-1	265B70-0	TAPPING SCREW 4X30	O	4		
049	213032-0	O RING 4		1		
050	256535-1	SHOULDER PIN 6		1		
051	263002-9	RUBBER PIN 4		1		
052	210006-2	BALL BEARING 696ZZ		1		
053	961005-4	RETAINING RING S-9		1		
054	253180-3	FLAT WASHER 10		1		
055	310683-1	JOINT SLEEVE		1		
056	346556-2	C TYPE PLATE		1		
057	227594-2	SPIRAL BEVEL GEAR 41		1		
058	313228-4	COUPLING		1		
059	210302-8	BALL BEARING 6903ZZ		1		
060	253744-3	FLAT WASHER 12		1		
061	263002-9	RUBBER PIN 4		1		
062	213641-5	O RING 51		1		
063	136012-8	BEARING BOX ASSEMBLY		1	*	
D10		INC. 61,62				
063-1	136877-8	BEARING BOX ASSEMBLY	<	1		
D10		INC. 61,62				
064	265490-6	HEX. SOCKET HEAD BOLT M4X16		4		
065	211129-9	BALL BEARING 6201DDW		1		
066	267279-8	FLAT WASHER 21		1		
067	443124-3	FELT RING 17		1		
068	285854-8	BEARING RETAINER 20-33		1		
070	326130-2	SPINDLE		1		
072	195239-9	115/125MM DUST COVER K SET		1	*	
C10	265180-1	PAN HEAD SCREW M5X16		1	*	
072-1	127147-6	125MM DUST COVER K ASSY	<	1	*	
C10	265180-1	PAN HEAD SCREW M5X16		1	*	
072-2	122B42-7	115/125MM DUST COVER K ASSY	<	1		
C10	265180-1	PAN HEAD SCREW M5X16		1		
073	224415-9	INNER FLANGE 42		1		
074	224554-5	LOCK NUT 14-45		1		
075	135556-5	COUPLING ASS'Y		1		
D10		INC. 57-59				
076	892272-9	CLEAR LABEL		1		
077	458690-7	LOOP HANDLE		1		
078	922443-5	H.S.H.BOLT M8X25 WITH WR		2		
A01	140B63-7	STEEL CASE COMPLETE		1	*	
A01-1	141S96-7	STEEL CASE COMPLETE	<	1		
A02	782426-5	LOCK NUT WRENCH 35		1		
F06	192227-7	SUPER FLANGE		1		
F07	194514-0	VIBRATION PROOF GRIP SET		1		
F12	198719-4	DUST COVER ATTACHMENT SET		1		
F24	191S70-5	125MM DUST COLLECT COVER K SET		1		
F25	191W06-8	115/125MM DUST COVER K SET		1		
C10	743129-6	BRUSH A		1		

C20	743130-1	BRUSH B		1			
-----	----------	---------	--	---	--	--	--

Please state Parts No. when your order.

Print Date 25/10/2023