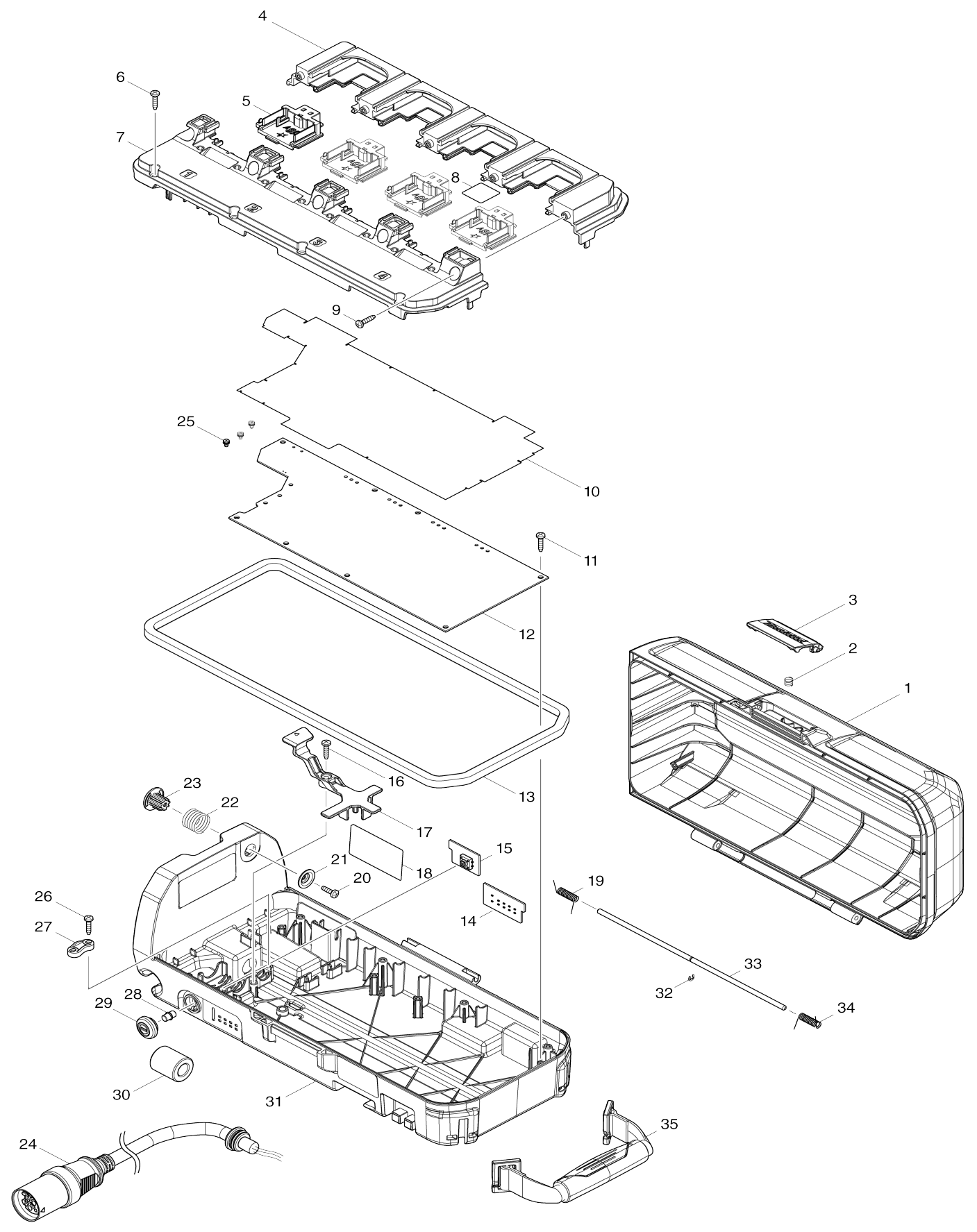


# Model No.PDC01 PORTABLE POWER PACK



Model No.PDC01 PORTABLE POWER PACK

Item No.	Parts No.	Description	Interc hang eabilit y	Q'ty	New/ Old	Note1	Note2
001	140M87-9	COVER COMPLETE		1	*		
C10	819S50-6	INDICATION LABEL		1	*		
001-1	140M87-9	COVER COMPLETE	O	1			
C10	819S50-6	INDICATION LABEL		1			
002	232537-1	COMPRESSION SPRING 7		1			
003	459465-7	LATCH A		1			
004	183M63-0	TERMINAL HOUSING SET		1			
D10		INC. 7					
005	643540-1	TERMINAL		4			
006	266326-2	TAPPING SCREW 4X18		8			
007	183M63-0	TERMINAL HOUSING SET		1			
D10		INC. 4					
008	855Y14-2	PDC01 DATE CODE LABEL		1			
009	266326-2	TAPPING SCREW 4X18		5			
010	680398-7	POLYCARBONATE SHEET		1			
011	266326-2	TAPPING SCREW 4X18		8			
012	620B46-8	CONTROLLER		1			
013	422468-4	PACKING		1			
014	620B50-7	INDICATION CIRCUIT		1			
015	620B51-5	SWITCH CIRCUIT		1			
016	266326-2	TAPPING SCREW 4X18		1			
017	459532-8	CORD COVER		1			
018	855Y13-4	PDC01 NAME PLATE		1			
019	232536-3	TORSION SPRING 5		1			
020	266385-6	TAPPING SCREW 4X14		1			
021	253444-5	CUP WASHER4		1			
022	232538-9	COMPRESSION SPRING 19		1			
023	459471-2	LOCK BUTTON		1			
024	699135-8	POWER SUPPLY CORD UNIT		1	*		
C10	682109-6	GROMMET		1	*		
024-1	699154-4	POWER SUPPLY CORD UNIT		1			
C10	682115-1	GROMMET		1			
025	652069-6	FLAT HEAD SCREW M3X6		3			
026	266326-2	TAPPING SCREW 4X18		2			
027	687149-9	STRAIN RELIEF		1			
028	459470-4	SWITCH PIN		1			
029	422469-2	SWITCH BUTTON		1			
030	688233-3	LINE FILTER		1			
031	140M85-3	FRAME COMPLETE		1	*		
C10	819S49-1	INDICATION LABEL		1	*		
C20	819S51-4	CAUTION LABEL		1	*		
C30	819S53-0	INDICATION LABEL		1	*		
031-1	140M85-3	FRAME COMPLETE	<	1			
C10	819S49-1	INDICATION LABEL		1			
C20	819S51-4	CAUTION LABEL		1			
C30	819S53-0	INDICATION LABEL		1			
032	961017-7	STOP RING E-3		1			

033	256883-8	ROD 4		1	*		
033-1	256883-8	ROD 4	<	1			
034	232541-0	TORSION SPRING 5		1			
035	162658-4	HANDLE COMPLETE		1			
A01	127347-8	HARNESS ASSEMBLY		1	*		
D10		COMPO-PARTS					
A01-1	127347-8	HARNESS ASSEMBLY	<	1	*		
D10		COMPO-PARTS					
A01-2	127347-8	HARNESS ASSEMBLY	O	1	*		
D10		COMPO-PARTS					
A01-3	127347-8	HARNESS ASSEMBLY	<	1			
D10		COMPO-PARTS					
A02	191A52-9	ADAPTER SET		1	*		
D10		COMPO-PARTS					
A02-1	191J51-5	ADAPTER SET	<	1			
D10		COMPO-PARTS					
A03	191A53-7	ADAPTER SET		1	*		
D10		COMPO-PARTS					
A03-1	191J50-7	ADAPTER SET	<	1			
D10		COMPO-PARTS					
F02-1	191J50-7	ADAPTER SET	<	1			
F03	191E43-4	PROTECTOR ASSEMBLY SET		1			
F04	191N62-4	ADAPTER SET		1			
F05-1	191J51-5	ADAPTER SET	<	1			
A04	197280-8	BATTERY BL1850B SET		4			
A05	***DC18RD	DC18RD TWO PORT FAST CHARGER		1			
D10		COMPO-PARTS					
A06	450128-8	BATTERY COVER		4			
F01	191M41-6	PORTABLE POWER PACK SET		1			

Please state Parts No. when your order.

Print Date 10/05/2023