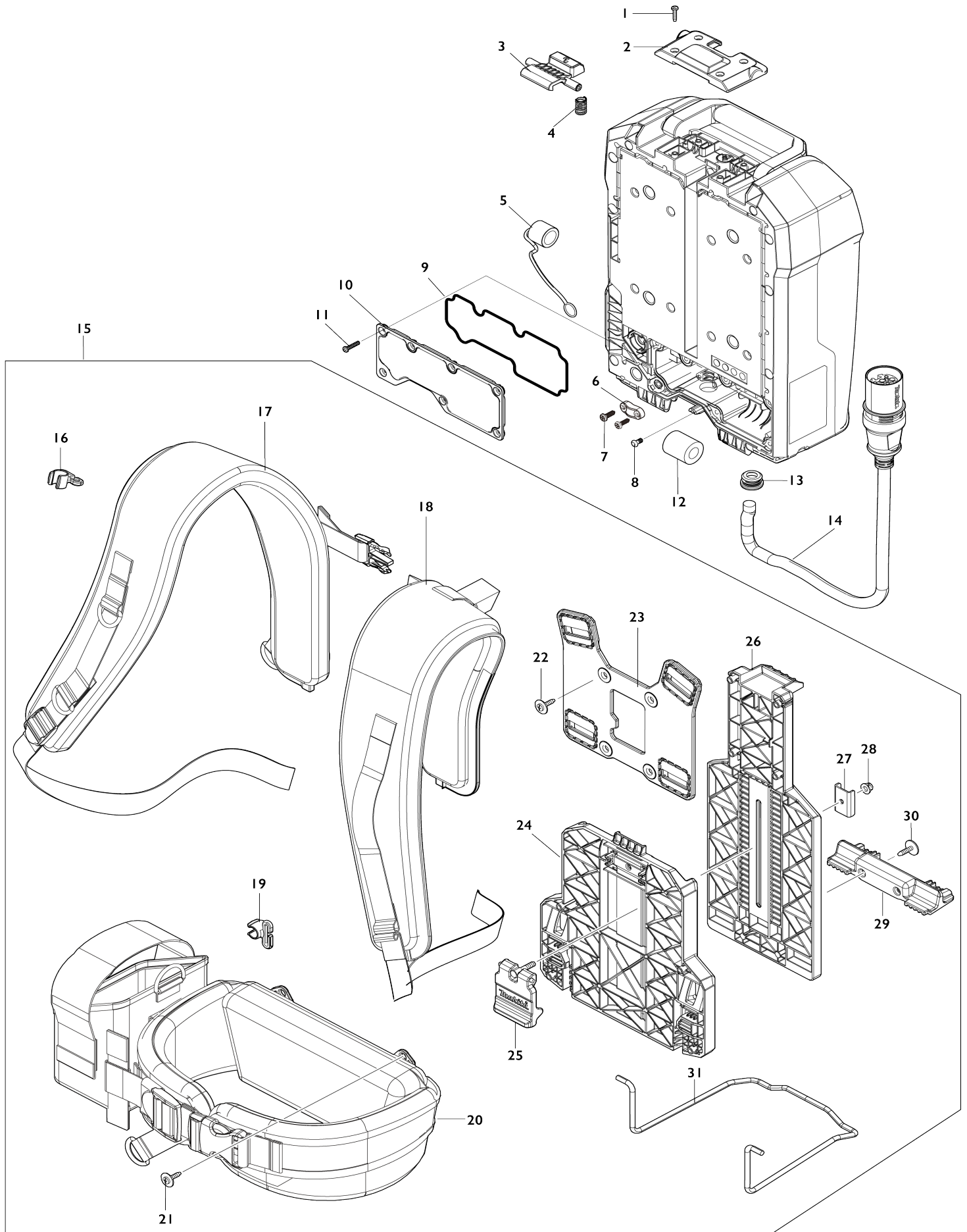


# Model No.PDC1200 PORTABLE POWER PACK



**Model No.PDC1200 PORTABLE POWER PACK**

Item No.	Parts No.	Description	Interchangability	Q'ty	New/Old	Note1	Note2
001	NC00000001	TAPPING SCREW 3X15		4			
002	NC00000002	CASE LEVER COVER		1			
003	NC00000003	CASE LOCK BUTTON		1			
004	NC00000004	COMPRESSION SPRING		1			
005	NC00000005	CHARGING CONNECTOR CAP		1			
006	NC00000006	CORD CLAMP		1			
007	NC00000011	TAPPING SCREW 4X14		2			
008	NC00000007	SCREW M4X8		5			
009	NC00000008	SEAL A		1			
010	NC00000009	CORD COVER		1			
011	NC00000001	TAPPING SCREW 3X15		7			
012	688233-3	LINE FILTER		1			
013	NC00000010	GROMMET		1			
014	699150-2	POWER SUPPLY CORD UNIT		1			
015	127668-8	HARNESS ASSEMBLY		1			
D10		INC. 16-31					
016	412781-8	CORD HOLDER 11		2			
017	162848-9	BAND R COMPLETE		1			
018	162849-7	BAND L COMPLETE		1			
019	412781-8	CORD HOLDER 11		1			
020	162850-2	WAIST BELT		1			
021	252274-1	TAPPING SCREW 4X18 WITH W		4			
022	252274-1	TAPPING SCREW 4X18 WITH W		4			
023	412766-4	BACK PLATE		1			
024	412765-6	WAIST HARNESS PLATE		1			
025	140W51-0	LOCK LEVER COMPLETE		1			
026	140W29-3	HARNESS PLATE COMPLETE		1			
027	347740-2	PLATE		1			
028	252286-4	COLLARED HEX.LOCK NUT M5-8		1			
029	412767-2	BOTTOM HOLDER		1			
030	252274-1	TAPPING SCREW 4X18 WITH W		2			
031	327639-7	STAND		1			
032	NC00000015	TAPPING SCREW T10 3X8.5		4			
033	NC00000016	TAPPING SCREW T20 4X14		13			
034	NC00000017	TAPPING SCREW T20 4X12		20			
035	NC00000018	SEAL B		1			
036	NC00000019	CHARGING CONNECTOR ASSY		1			
C10	NC00000020	CHARGING CONNECTOR		1			
037	NC00000021	VOID LABEL		1			
038	8140V6-4	SERIAL NO. LABEL		1			
A01	***DC4001	CHARGER		1			
D10		COMPO-PARTS					
F01	196733-4	BAND 25 SET		1			
F04	191N62-4	ADAPTER SET		1			

Please state Parts No. when your order.

Print Date 02/19/2024