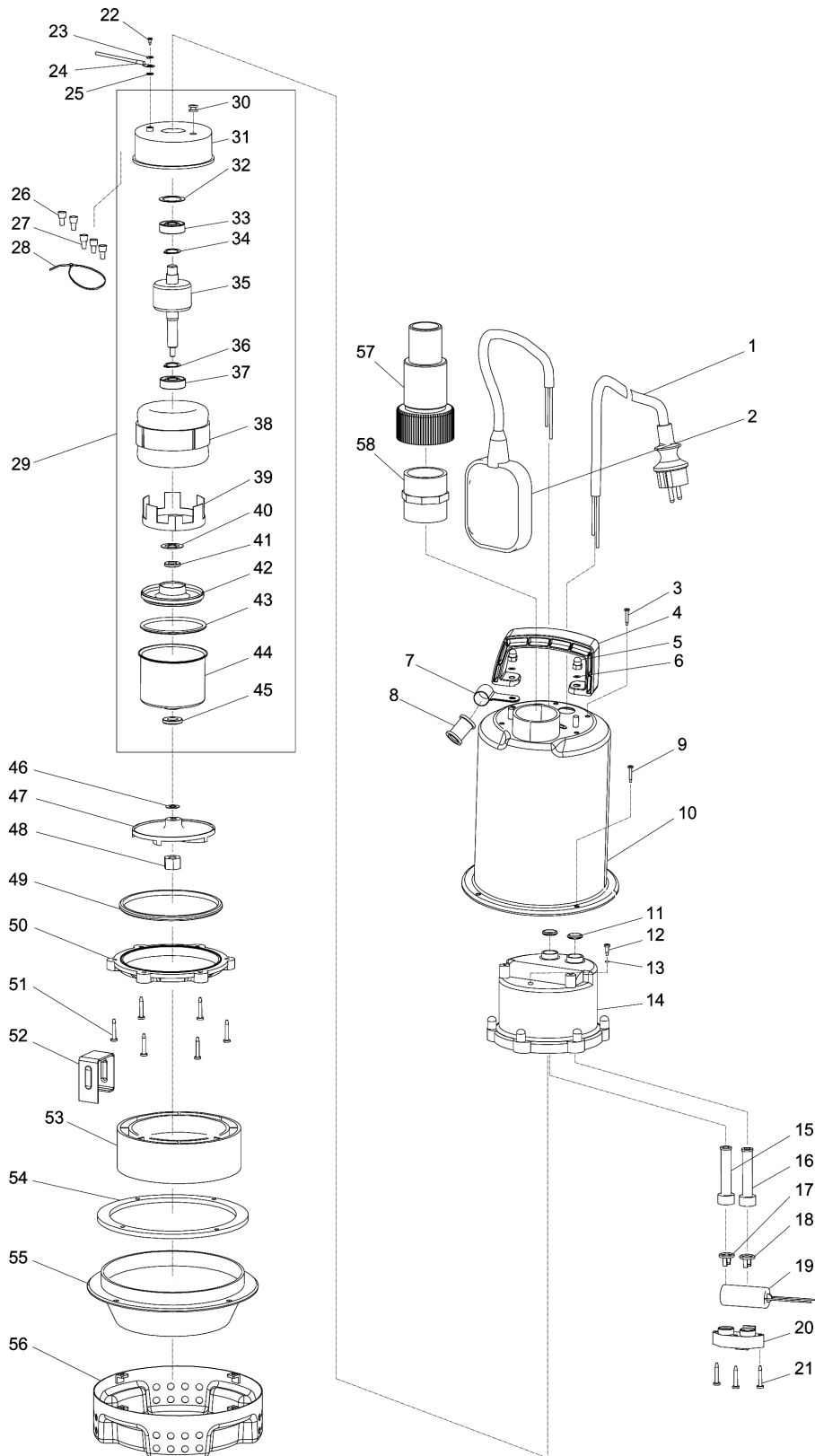


Model No.PF1100 SUBMERSIBLE PUMP



Model No.PF1100 SUBMERSIBLE PUMP

Item	Parts No.	Description	I/C	Qty	New/Old	Opt. 1	Opt. 2	Note
001	609025435	POWER SUPPLY CORD 1.0-3-10		1	*			
001-1	JH00000123	CORD H07RN-F 1.0-3-10 EU	<	1				
002	609026209	FLOAT SWITCH BLUE		1	*			
002-1	JH00000126	FLOAT SWITCH BLUE	<	1				
003	609026213	TAPPING SCREW 4.2X13 INOX		5	*			
003-1	JH00000077	Y HEAD TAPPING SCREW ST4.5X13	<	5				
004	609024798	HANDLE BLUE		1				
005	609024637	HEX. CAP NUT M5 INOX		2				
006	609024638	FLAT WASHER 5 INOX		2				
007	609024650	CORD CLAMP INOX		1				
008	609026214	CORD GUARD		1				
009	609024639	+ PAN HEAD SCREW M4X10 INOX		4				
010	609024687	UPPER HOUSING INOX		1				
011	609024641	O-RING 15		2	*			
011-1	JH00000117	O-RING 15	<	2				
012	JH00000002	TAPPING SCREW		1				
013	JH00000003	O-RING		1	*			
013-1	JH00000125	O-RING	O	1				
014	609024642	WATER PROOF INNER HOUSING		1				
015	609024588	CORD GUARD 8.5		1	*			
015-1	JH00000110	CORD GUARD 8.5	<	1				
016	609024588	CORD GUARD 8.5		1	*			
016-1	JH00000110	CORD GUARD 8.5	<	1				
017	609024590	CORD CLAMP 8.5		1				
018	609024590	CORD CLAMP 8.5		1				
019	JH00000045	CAPACITOR 16 MICRO F		1	*			
019-1	JH00000182	CAPACITOR 16 MICRO F	O	1				
020	609024592	CAPACITOR HOLDER		1				
021	609024593	TAPPING SCREW 4X32		3				
022	609024601	SCREW M4X8		1				
023	609024596	SPRING WASHER 4		1				
024	JH00000004	GROUND WIRE ASSY		1				
025	609024600	TOOTHED LOCK SPRING WASHER 4		1	*			
025-1	JH00000082	TOOTHED LOCK SPRING WASHER 4	<	1				
026	609024629	CLOSED END SPLICE 5.5-SD		2				
027	609024630	CLOSED END SPLICE 2-SD		3				
028	609024632	CABLE TIE		1				
029	JH00000069	MOTOR ASSY 230V 50HZ		1				
D10		INC. 30-45						
D11		INC. 30-33,35,37-47						
030	609024595	GROMMET 10		1				
031	609024594	MOTOR HOUSING UPPER SIDE		1				
032	609024602	WAVE WASHER 25		1				

Please order the parts with part number.

Print Date 15/12/2023

Model No.PF1100 SUBMERSIBLE PUMP

Item	Parts No.	Description	I/C	Qty	New/Old	Opt. 1	Opt. 2	Note
033	609024603	BALL BEARING 6201Z		1				
034	961052-5	RETAINING RING (EXT) S-12		1	*			
035	JH00000053	ROTOR		1				
036	961052-5	RETAINING RING (EXT) S-12		1	*			
037	609024603	BALL BEARING 6201Z		1				
038	JH00000054	STATOR ASSY 230V 50HZ		1				
039	609024667	LINING RING		1				
040	609024607	SHIM		1				
041	609024608	SKELETON SEAL RING		1	*			
041-1	JH00000111	SKELETON SEAL RING	<	1				
042	609024609	BEARING BOX		1				
043	609024610	O-RING		1	*			
043-1	JH00000112	O-RING	<	1				
044	609024611	MOTOR HOUSING LOWER SIDE		1	*			
044-1	JH00000055	MOTOR HOUSING LOWER SIDE	X	1				
045	609024608	SKELETON SEAL RING		1	*			
045-1	JH00000111	SKELETON SEAL RING	<	1				
046	609024613	SPACER WASHER 12		1				
047	609024614	IMPELLER 90		1	*			
047-1	JH00000059	IMPELLER 90	X	1				
048	609024615	NYLON INSERT HEX LOCK NUT M8		1				
049	609024612	O-RING		1	*			
049-1	JH00000113	O-RING	<	1				
050	JH00000058	O-RING RETAINER		1				
051	609024646	TAPPING SCREW 4X30 INOX		6				
052	609024654	GROUND PLATE		1				
053	609024655	MOTOR MOUNT		1				
054	609024647	GASKET FOR HOUSING		1	*			
054-1	JH00000118	GASKET FOR HOUSING	<	1				
055	609024648	CASING		1				
056	609024649	STRAINER		1				
057	609024651	OUTLET CONNECTOR		1				
058	609024652	JOINT		1				

Please order the parts with part number.

Print Date 15/12/2023