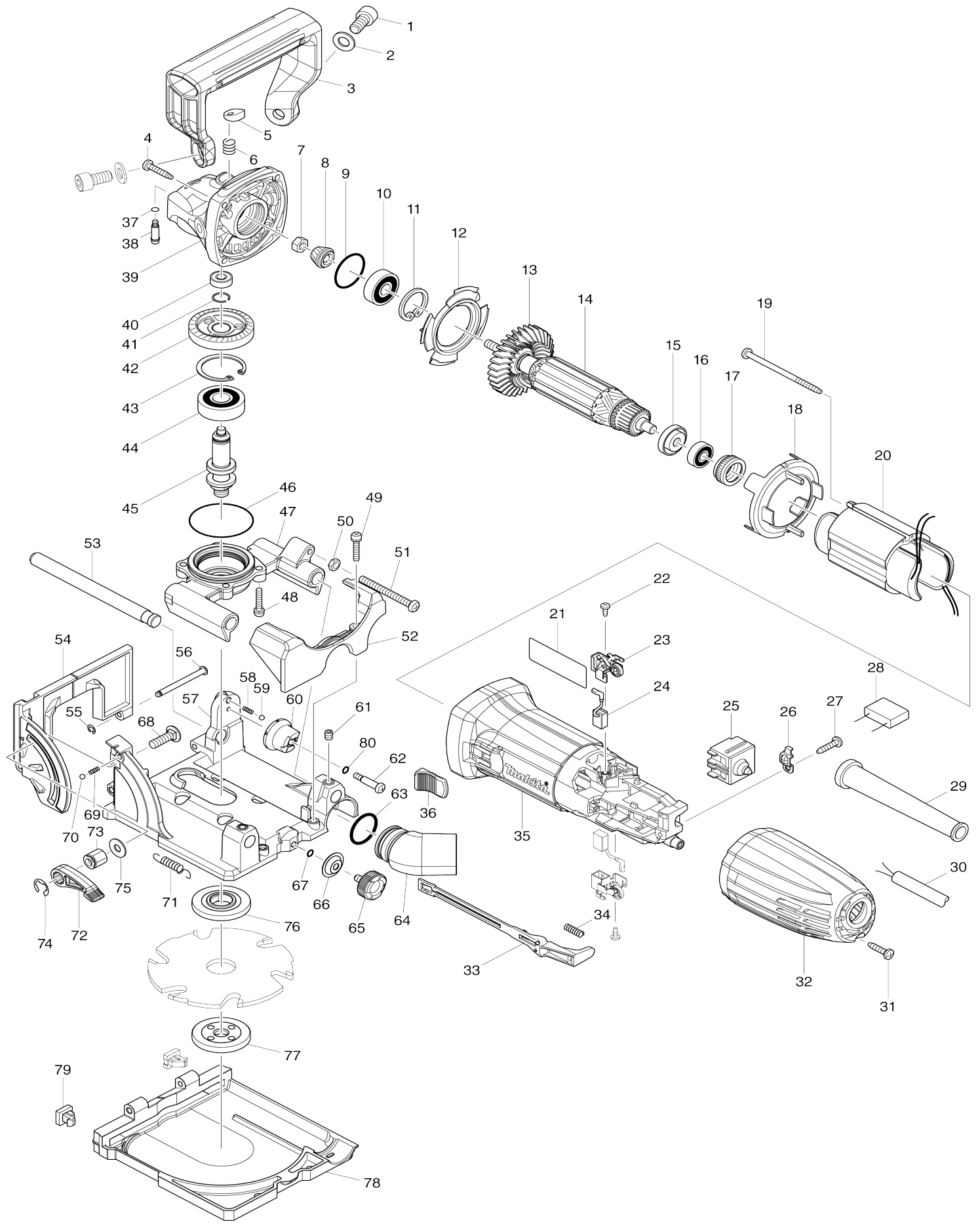


Model No.PJ7000 PLATE JOINER



Model No.PJ7000 PLATE JOINER

Item No.	Parts No.	Description	Interchangability	Q'ty	New/Old	Note1	Note2
001	922422-3	HEX. SOCKET HEAD BOLT M8X16		2			
002	941202-8	FLAT WASHER 8		2			
003	453218-6	GRIP		1			
004	266324-6	TAPPING SCREW 4X22		4			
005	417771-6	PIN CAP		1			
006	234057-1	COMPRESSION SPRING 8		1			
007	252186-8	HEX. NUT M6		1			
008	227545-5	SPIRAL BEVEL GEAR 10		1			
009	213445-5	O-RING 26		1			
010	211092-6	BALL BEARING 629DDW		1			
011	962105-3	RETAINING RING R-26		1			
012	413126-3	GUIDE PLATE		1			
013	240107-2	FAN 56		1	*		
013-1	240139-9	FAN 56	O	1			
014	517649-4	ARMATURE ASS'Y 240V		1			
D10		INC. 13,15,16					
015	681636-0	INSULATION WASHER		1			
016	210034-7	BALL BEARING 607LLB		1			
017	421868-5	LABYRINTH RUBBER RING 19		1			
018	450796-7	BAFFLE PLATE		1			
019	266325-4	TAPPING SCREW 4X70		2			
020	623533-4	FIELD 220-240V		1			
021	896483-8	PJ7000 NAME PLATE		1			
022	266492-5	TAPPING SCREW 3X8		2			
023	643839-4	BRUSH HOLDER 6X9		2			
024	194722-3	CARBON BRUSH CB-459		1			
025	650621-4	SWITCH PS10		1			
026	687681-3	STRAIN RELIEF		1			
027	266326-2	TAPPING SCREW 4X18		1	*		
027-1	265A48-7	TAPPING SCREW 4X18	O	1			
028	638739-1	CAPACITOR UNIT		1	*		
028-1	638739-1	CAPACITOR UNIT	O	1			
029	682502-4	CORD GUARD 8-85		1			
030	695034-2	POWER SUPPLY CORD 1.0-2-4.0		1			
031	266326-2	TAPPING SCREW 4X18		1	*		
031-1	265A48-7	TAPPING SCREW 4X18	O	1			
032	450794-1	REAR COVER		1			
033	450797-5	SWITCH LEVER		1			
034	233121-5	COMPRESSION SPRING 4		1			
035	450795-9	MOTOR HOUSING		1			
036	419566-3	SWITCH KNOB		1			
037	213032-0	O RING 4		1			
038	256510-7	SHOULDER PIN 4		1			
039	141327-0	GEAR HOUSING COMPLETE		1			
C10	263002-9	RUBBER PIN 4		1			
040	210033-9	BALL BEARING 696ZZ		1			
041	233950-6	RING SPRING 11		1			

042	227546-3	SPIRAL BEVEL GEAR 37		1		
043	962151-6	RETAINING RING R-32		1		
044	211129-9	BALL BEARING 6201DDW		1		
045	326120-5	SPINDLE		1		
046	213561-3	O RING 42		1		
047	318811-2	BEARING BOX		1		
048	911136-9	PAN HEAD SCREW M4X20		4		
049	911136-9	PAN HEAD SCREW M4X20		2		
050	931203-4	HEX. NUT M5		1		
051	266741-0	PAN HEAD SCREW M5X50		1		
052	453406-5	BASE COVER		1		
053	326145-9	ROD 10		2		
054	141247-8	FENCE COMPLETE		1		
C10	890236-7	SCALE PLATE		1		
055	961017-7	STOP RING E-3		2		
056	256689-4	PIN 4		2		
057	318813-8	BASE		1		
058	231282-5	COMPRESSION SPRING 2.4		1		
059	216001-0	STEEL BALL 3.5		1		
060	318814-6	STOPPER		1		
061	266264-8	H.S.SET SCREW(FLAT POINT)M5X 6		2		
062	266738-9	+PAN HEAD SCREW M4		1		
063	213008-7	O RING 22.4		1		
064	415252-4	DUST NOZZLE		1		
065	265785-7	THUMB SCREW M5X10		1		
066	232131-9	LEAF SPRING		1		
067	213023-1	O RING 4		1		
068	266737-1	FLAT HEAD SQ. NECK BOLT M6X2 0		1		
069	231282-5	COMPRESSION SPRING 2.4		1		
070	216001-0	STEEL BALL 3.5		1		
071	231795-6	TENSION SPRING 8		2		
072	272263-0	LEVER 40		1		
073	252159-1	HEX. NUT M6		1		
074	961014-3	STOP RING E-8		1		
075	253804-1	FLAT WASHER 6		1		
076	224280-6	INNER FLANGE 40		1		
077	224505-8	LOCK NUT 10-40		1		
078	318845-5	BLADE COVER		1		
079	424479-5	RUBBER SPIKE		2		
080	213023-1	O RING 4		1		
A01	123149-0	ANGLE GUIDE ASS'Y		1		
D10		COMPO-PARTS				
A02	123150-5	DUST BAG ASSEMBLY		1		
C10	410602-8	FASTENER		1		
A03	415579-2	SET PLATE 4		1		
A04	B-20644	CUTTER 100MMX6T		1	*	
A04-1	B-20644	CUTTER 100MMX6T	O	1		
A05	782401-1	LOCK NUT WRENCH 20		1		
A06	821509-7	PLASTIC CARRYING CASE		1		
C10	163455-1	LATCH		2		

A07	890459-7	PJ7000 PLASTIC CASE LABEL		2			
A06	821551-8	CONNECTOR PLASTIC CASE (TYP E3)		1	*		
C10	453974-8	LATCH		4	*		
A06-1	821551-8	CONNECTOR PLASTIC CASE (TYP E3)	<	1			
C10	453974-8	LATCH		4			
A07	837661-1	INNER TRAY		1			
A08	800X58-1	PJ7000J INDICATION LABEL		1			
A09	800X59-9	PJ7000J PLASTIC CASE LABEL		2			

Please state Parts No. when your order.

Print Date 25/10/2023