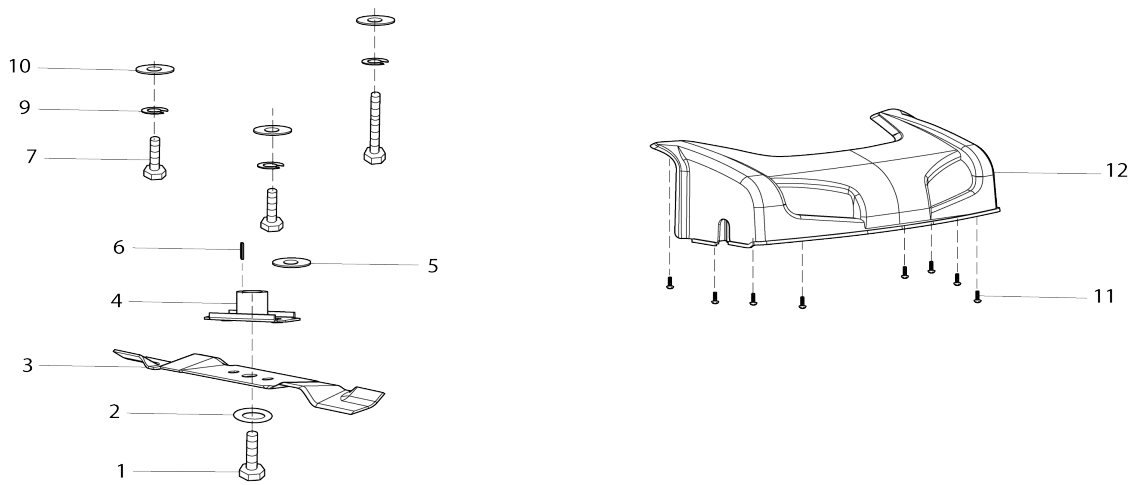
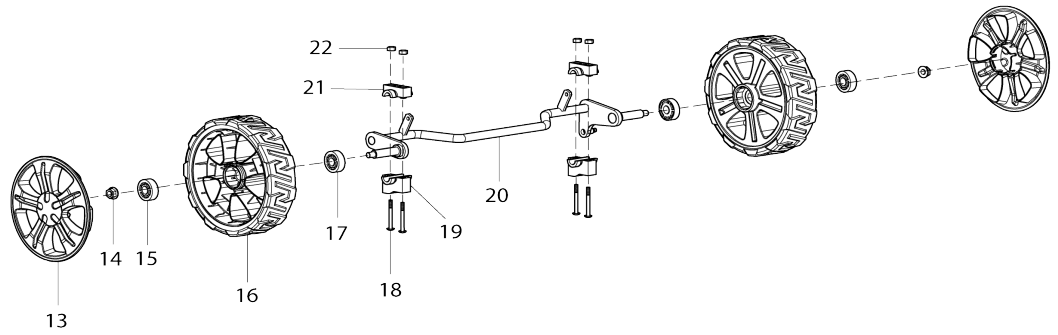
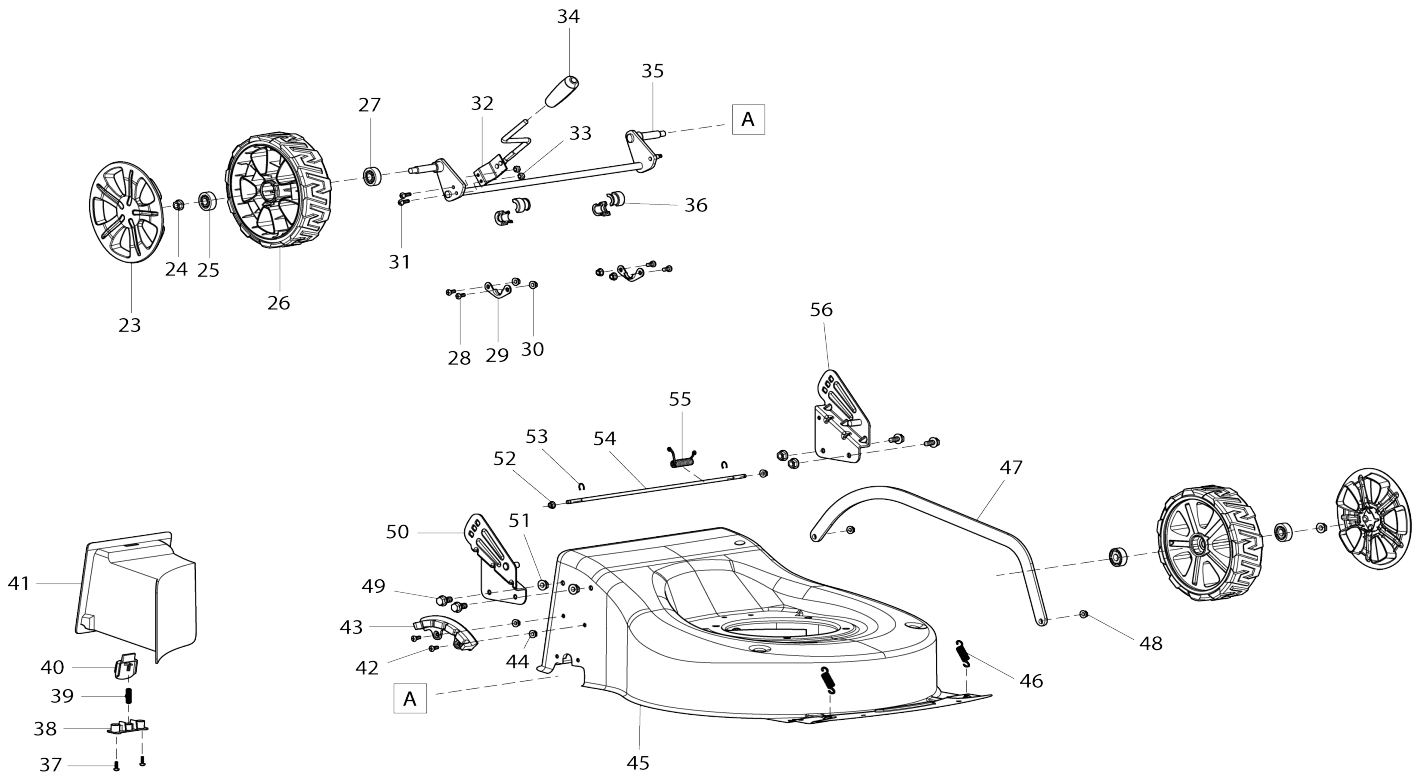
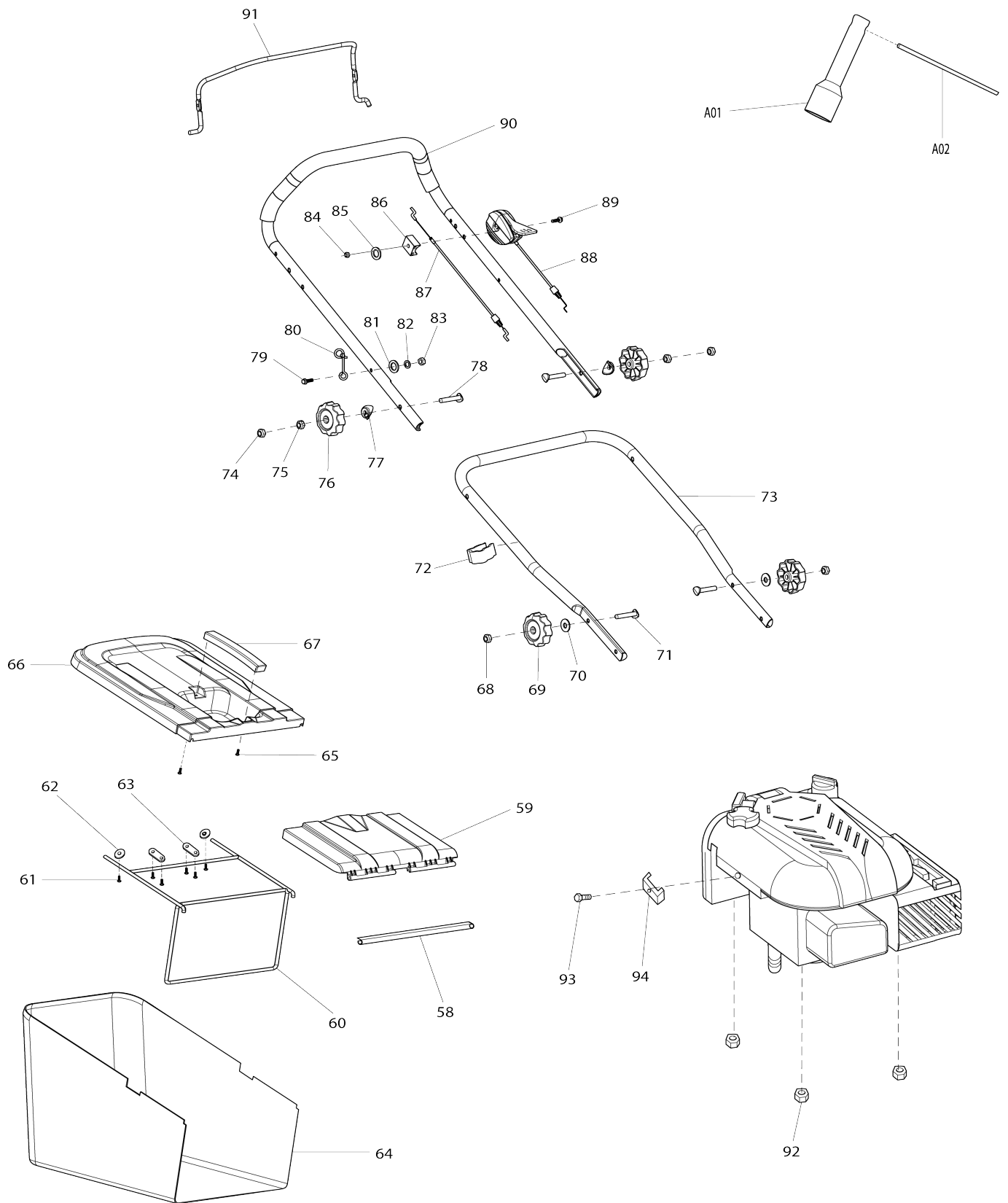


Model No. PLM4120N PETROL LAWN MOWER



Model No. PLM4120N PETROL LAWN MOWER



Model No.PLM4120N PETROL LAWN MOWER

Item No.	Parts No.	Description	Interchangability	Q'ty	New/Old	Note1	Note2
001	671006065	BLADE TIGHTEN BOLT 3/8-24 UNF		1			
002	671010730	DISH SPRING WASHER		1			
003	671001433	BLADE 41		1			
004	671015252	INNER FRANGE		1			
005	DA00000979	BLADE SUPPORT LINING		1			
006	DA00000535	HIGHT ADJUST SUPPORT SPRING		1			
007	DA00000586	HEX. BOLT M8X35		3			
009	DA00000832	SPRING WASHER 8		3			
010	671007007	FLAT WASHER 8		3			
011	DA00000911	TAPPING SCREW ST4.2X10		8			
012	671420001	FRONT AXLE COVER		1			
013	671001176	WHEEL COVER 6.5 INCH		2			
014	DA00000537	HEX.FLANGE LOCK NUT M8		2			
015	DA00000538	BALL BEARING 6201ZZ		2			
016	671020150	WHEEL ASSY 7 INCH		2			
017	DA00000538	BALL BEARING 6201ZZ		2			
018	671002028	PAN.HED SCREW M6X45		4			
019	671418001	FRONT AXLE MOUNT		2			
020	671001428	FRONT AXLE		1			
021	671445001	FRONT AXLE RETAINER		2			
022	DA00000549	NYLON INSERT HEX.LOCK NUT M6		4			
023	DA00000536	WHEEL COVER 7 INCH		2			
024	DA00000537	HEX.FLANGE LOCK NUT M8		2			
025	DA00000538	BALL BEARING 6201ZZ		2			
026	671020160	WHEEL ASSY 8 INCH		2			
027	DA00000538	BALL BEARING 6201ZZ		2			
028	671002019	TRUSS HEAD SCREW M6X12		4			
029	DA00000542	AXLE RETAINER		2			
030	DA00000543	HEX.FLANGE LOCK NUT M6		4			
031	DA00000912	PAN.HED SCREW M5X14		2			
032	671001430	HEIGHT ADJUSTMENT LEVER ASSY		1			
033	671005011	NYLON INSERT HEX.LOCK NUT M5		2			
034	671001029	HANDLE SHEATH		1			
035	671001423	REAR AXLE		1			
036	671235300	WHEEL AXIS SHEATH		4	*		
036-1	DA00001025	REAR AXLE MOUNT	O	4			
037	DA00000603	TAPPING SCREW ST4X16		2			
038	671317001	PRESSING BOARD OF LOCKING		1			
039	671011005	COMPRESSION SPRING		1			
040	671316004	LOCKING BUTTON		1			
041	671450001	MULCHING BOX		1			
042	671002019	TRUSS HEAD SCREW M6X12		2			
043	DA00000787	HEIGHT ADJUSTER STOP PLATE		1			
044	DA00000543	HEX.FLANGE LOCK NUT M6		2			
045	671001182	DECK BULE		1			

046	671011125	HEIGHT ADJUST TENSION SPRING		2		
047	DA00000970	LINK ROD		1		
048	DA00000549	NYLON INSERT HEX.LOCK NUT M6		2		
049	DA00000562	HEX.FLANGE BOLT M8X16		4		
050	671001180	RIGHT HANDLE BRACKET BLUE		1		
051	DA00000537	HEX.FLANGE LOCK NUT M8		4		
052	DA00000543	HEX.FLANGE LOCK NUT M6		2		
053	671009017	STOP RING E-6		2		
054	671001498	REAR FLAP HINGE ROD		1		
055	671011101	REAR FLAP TORSION SPRING		1		
056	671001179	LEFT HANDLE BRACKET BLUE		1		
058	671014170	GRASS CATCHER FRAME SHEATH		1		
059	671456001	REAR FLAP		1		
060	671001435	GRASS CATCHER FRAME		1		
061	DA00000888	TAPPING SCREW ST5X12		6		
062	671001436	WASHER 4		2	*	
062-1	DA00000025	WASHER 5	O	2		
063	671001203	RETAINER PLATE		2	*	
063-1	DA00000335	RETAINER PLATE	O	2		
064	671001416	GRASS CATCHER CLOSS SET MAKITA		1		
065	671105502	TAPPING SCREW ST5X16		2	*	
065-1	DA00000326	TAPPING SCREW ST5X16	O	2		
066	671455001	GRASS CATCHER COVER		1		
067	671454001	GRASS CATCHER HANDLE		1		
068	DA00000563	HEXAGON NUT M8		2		
069	DA00000564	KNOB		2		
070	671007007	FLAT WASHER 8		2		
071	DA00000880	SADDLE HEAD BOLT M8X35		2		
072	671611001	CABLE CLIP		1		
073	DA00000962	LOWER HANDLE POLE		1		
074	671005011	NYLON INSERT HEX.LOCK NUT M5		2		
075	DA00000563	HEXAGON NUT M8		2		
076	DA00000564	KNOB		2		
077	DA00000565	PLASTIC SADDLE WASHER 8		2		
078	DA00000975	FLAT HEAD BOLT M8*55		2		
079	DA00000577	HEX.FLANGE BOLT M6X35		1		
080	DA00000579	STARTER GRIP HOOK		1		
081	DA00000574	FLAT WASHER 6		1		
082	DA00000864	SPRING WASHER 6		1		
083	DA00000575	HEX.CAP NUT M6		1		
084	DA00000575	HEX.CAP NUT M6		1		
085	DA00000574	FLAT WASHER 6		1		
086	DA00000573	OUTER WIRE STOPPER		1		
087	DA00000976	FRAMEOUT CORD ASS'Y		1		
088	DA00000978	THROTTLE LEVER ASSY		1		
089	DA00000572	HEX.FLANGE BOLT M6X55		1		
090	671002001	UPPER HANDLE BAR ASSY		1		
091	DA00000961	ENGINE CLUTCH LEVER		1		

092	DA00000537	HEX.FLANGE LOCK NUT M8		3			
093	671003012	HEX. BOLT M5X14		1			
094	671010830	OUTER WIRE STOPPER		1			
A01	DA00000583	BOX WRENCH 16MM		1			
A02	DA00000584	WRENCH HANDLE		1			

Please state Parts No. when your order.

Print Date 25/10/2023