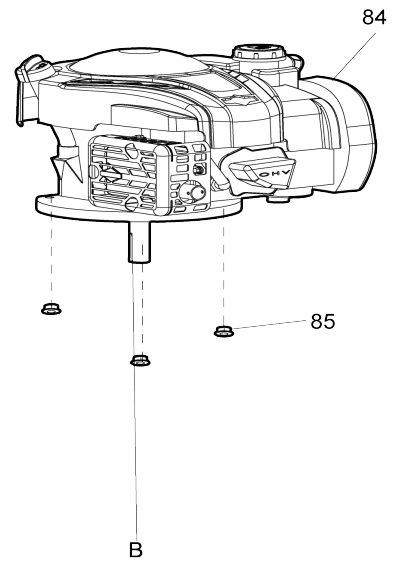
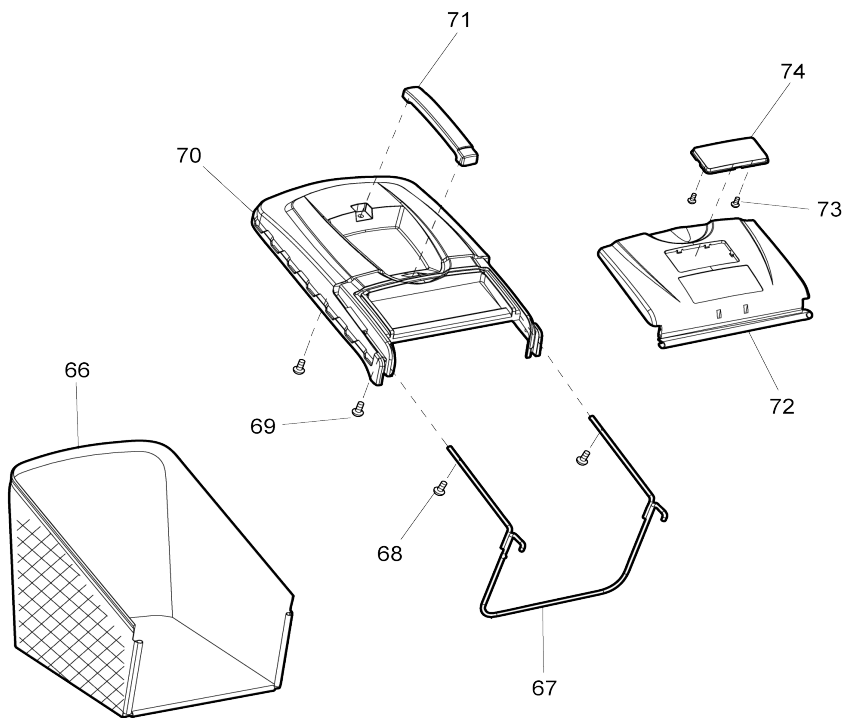
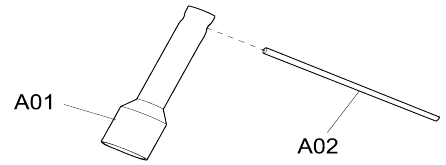
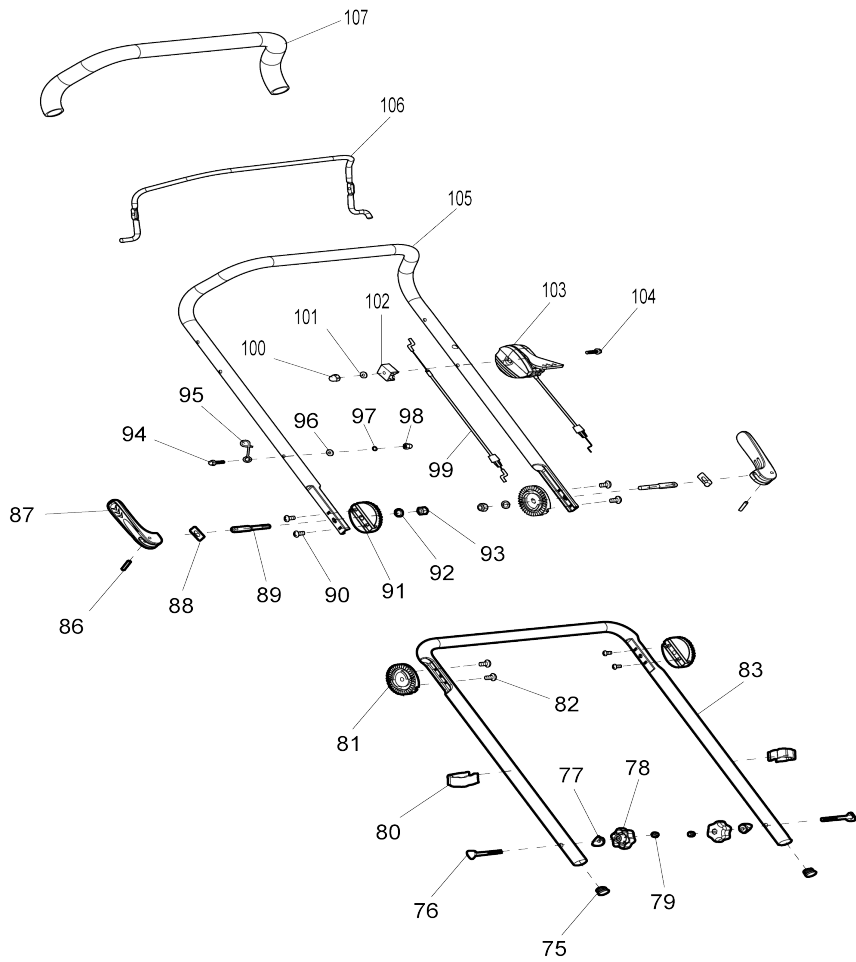


Model No. PLM4627N PETROL LAWN MOWER



040	671002019	TRUSS HEAD SCREW M6X12		4		
041	DA00000542	AXLE RETAINER		2		
042	DA00000543	HEX.FLANGE LOCK NUT M6		4		
043	671235300	WHEEL AXIS SHEATH		4	*	
043-1	DA00001025	REAR AXLE MOUNT	O	4		
044	671002030	PAN. HEAD SCREW M6X14		2		
045	671001410	REAR AXLE		1		
046	DA00000549	NYLON INSERT HEX.LOCK NUT M6		2		
047	DA00000899	HANDLE ASS'Y		1		
048	671003033	COUNTERSUNK HEAD SCREW M5 X8		2		
049	671010590	HEIGHT ADJUSTMENT LEVER GRIP		1		
050	671002019	TRUSS HEAD SCREW M6X12		2		
051	DA00000898	HEIGHT ADJUSTMENT PLATE		1		
052	DA00000543	HEX.FLANGE LOCK NUT M6		2		
053	DA00000562	HEX.FLANGE BOLT M8X16		4		
054	671001751	RIGHT HANDLE BRACKET BLUE		1		
055	DA00000537	HEX.FLANGE LOCK NUT M8		4		
056	DA00000543	HEX.FLANGE LOCK NUT M6		2		
057	671011113	REAR FLAP TORSION SPRING R		1		
058	671001366	REAR FLAP HINGE ROD		1		
059	671011114	REAR FLAP TORSION SPRING L		1		
060	671001750	LEFT HANDLE BRACKET BLUE		1		
061	671800104	GROMMET		1		
062	DA00000549	NYLON INSERT HEX.LOCK NUT M6		2		
063	671001377	LINK ROD		1		
064	DA00000897	HEIGHT ADJUST TENSION SPRING		2		
065	671001748	DECK BLUE		1		
066	671013783	GRASS CATCH SIDE CLOSS SET MAK		1		
067	671001381	GRASS CATCHER FRAME		1		
068	671001032	TAPPING SCREW ST4.2X18		2		
069	DA00000614	TAPPING SCREW ST4.8X19		2		
070	671382001	GRASS CATCHER UPPER BORAD		1		
071	671384001	GRASS CATCHER HANDLE		1		
072	671004272	REAR FLAP		1		
073	671010710	TAPPING SCREW ST4X12		2		
074	671385001	GRASS LEVEL INSPECTION WINDOW		1		
075	DA00000900	PIPE END CAP 19		2		
076	671006004	SADDLE HEAD BOLT M8X58		2		
077	DA00000565	PLASTIC SADDLE WASHER 8		2		
078	671365005	KNOB OF LOWER HANDLE		2		
079	DA00000563	HEXAGON NUT M8		2		
080	671611001	CABLE CLIP		2		
081	671055001	ANGLE ADJUSTMENT JOINT LOWER		2		
082	DA00000860	SELF-TAPPING SCREW ST3X10		4		
083	671001804	LOWER HANDLE BAR		1		
085	DA00000537	HEX.FLANGE LOCK NUT M8		3		

086	671090048	PIN 5X20		2		
087	671364005	TENSION LEVER		2		
088	671001119	RETAINER PLATE		2		
089	671001301	TENSION BOLT M8		2		
090	DA00000860	SELF-TAPPING SCREW ST3X10		4		
091	671054001	ANGLE ADJUSTMENT JOINT UPPER		2		
092	671011890	FLAT WASHER 8		2		
093	671005008	NYLON INSERT HEX.LOCK NUT M8		2		
094	DA00000577	HEX.FLANGE BOLT M6X35		1		
095	DA00000579	STARTER GRIP HOOK		1		
096	DA00000574	FLAT WASHER 6		1		
097	DA00000864	SPRING WASHER 6		1	*	
097-1	DA00000576	SPRING WASHER 6	O	1		
098	DA00000575	HEX.CAP NUT M6		1		
099	671001258	ENGINE CLUTCH WIRE ASSY		1		
100	DA00000575	HEX.CAP NUT M6		1		
101	DA00000574	FLAT WASHER 6		1		
102	DA00000573	OUTER WIRE STOPPER		1		
103	671013260	THROTTLE CONTROL BOX ASSY		1		
104	DA00000572	HEX.FLANGE BOLT M6X55		1		
105	671017970	UPPER HANDLE BAR		1		
106	671017580	ENGINE CLUTCH LEVER		1		
107	671001029	HANDLE SHEATH		1		
108	671381001	SIDE DISCHARGE OUTLET		1		
109	671380001	SIDE DISCHARGE FLAP COVER		1		
110	671111300	SIDE FLAP TORSION SPRING		1		
111	671201501	PAN HEAD SCREW M5X10		2		
112	671080040	SPRING WASHER 5		2	*	
112-1	DA00000198	SPRING WASHER 5	O	2		
113	671001019	SIDE DISCHARGE FLAP HINGE ROD		1		
114	671021830	FIXED BOARD OF SIDE DISCHARGE		1		
A01	DA00000583	BOX WRENCH 16MM		1		
A02	DA00000584	WRENCH HANDLE		1		

Please state Parts No. when your order.

Print Date 10/26/2023