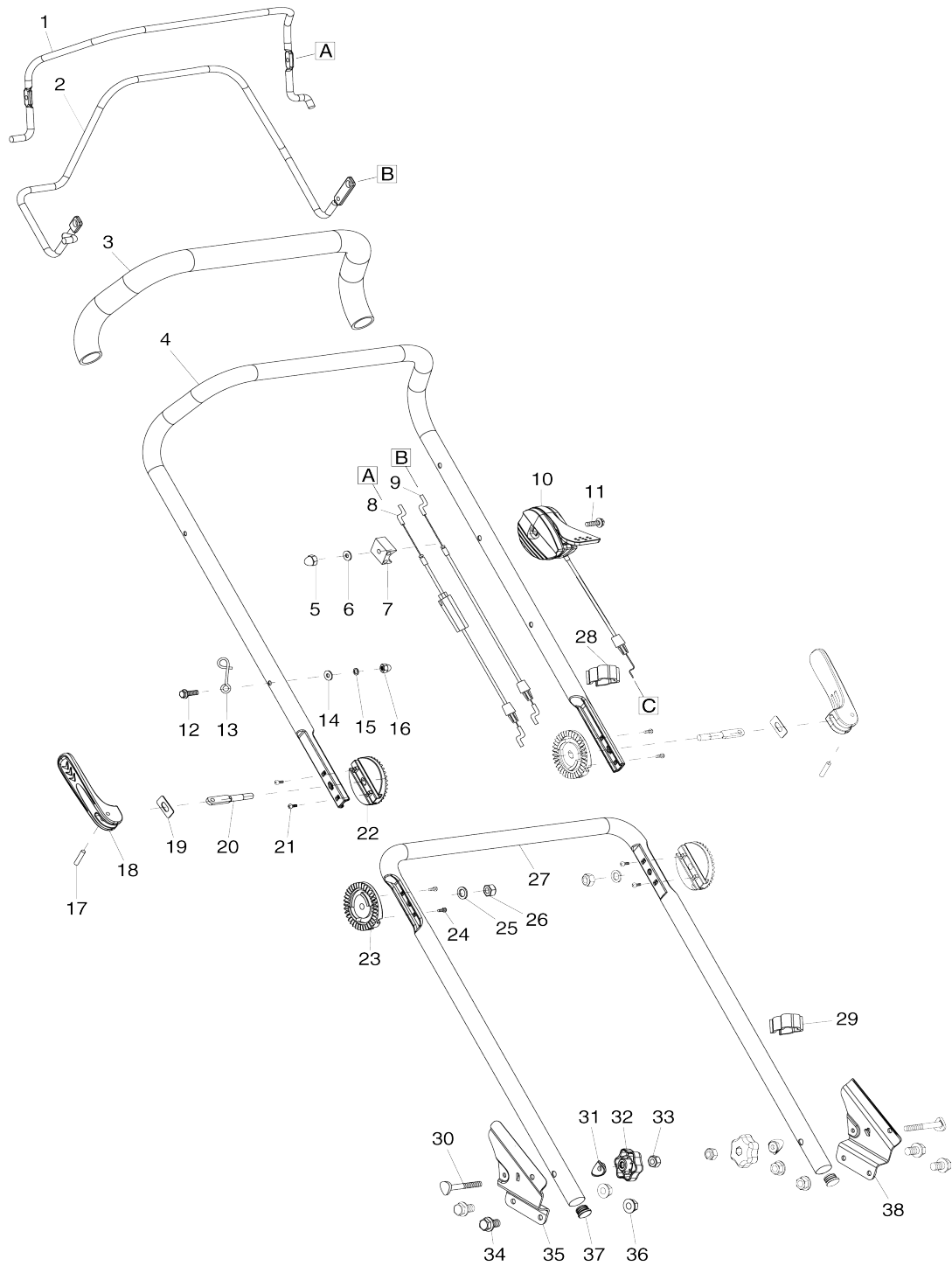
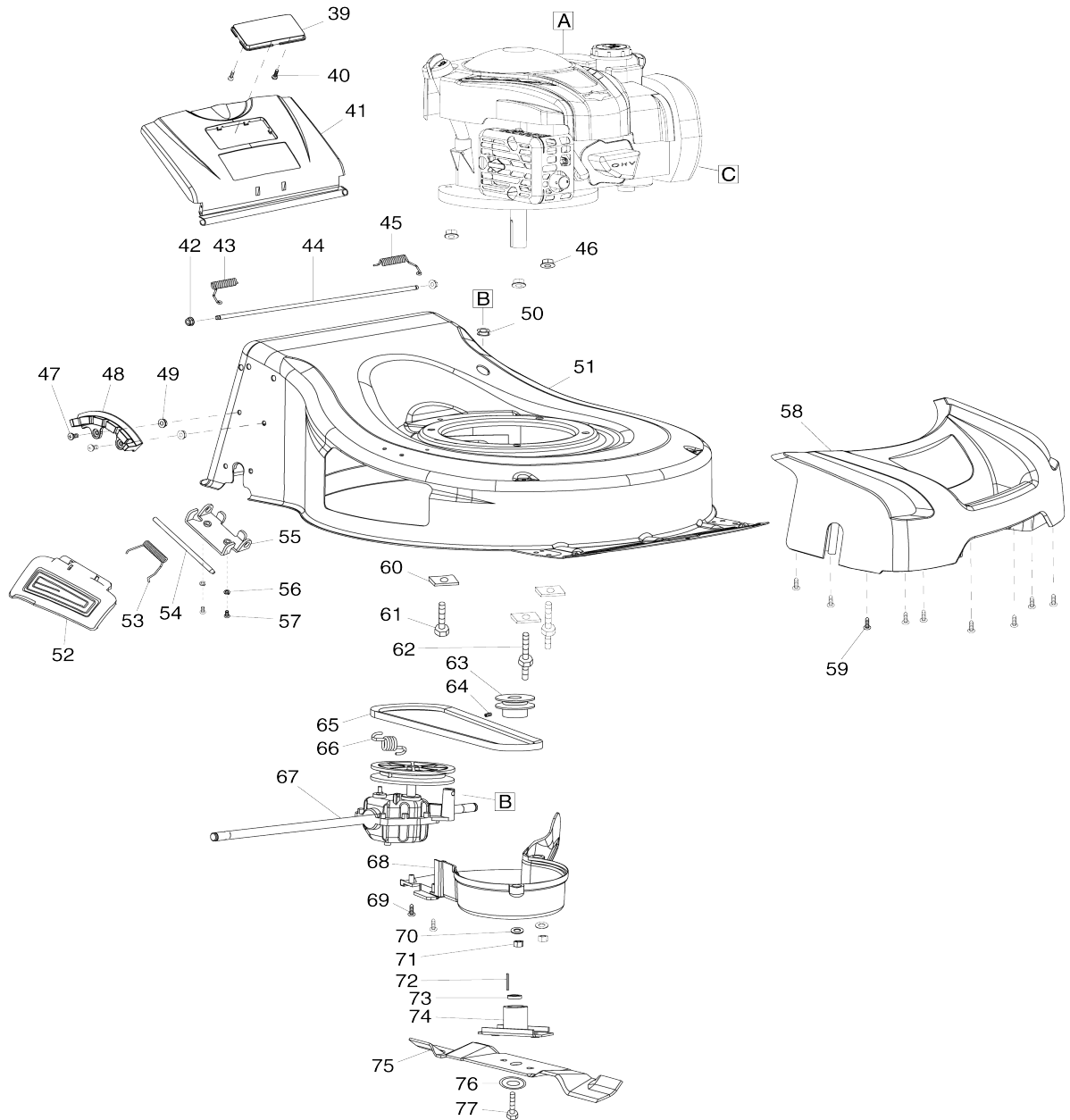


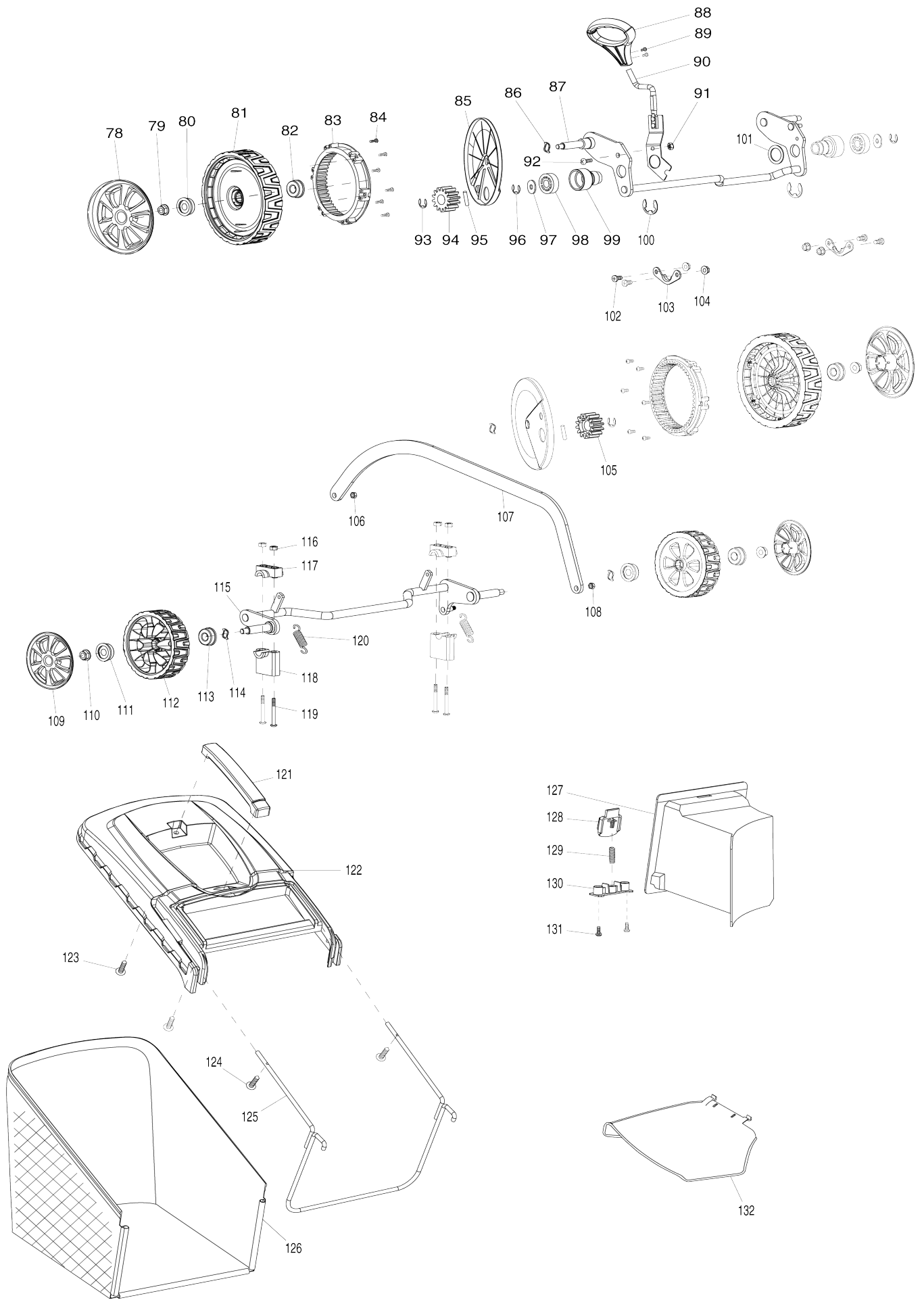
Model No. PLM4628 PETROL LAWN MOWER



Model No. PLM4628 PETROL LAWN MOWER



Model No. PLM4628 PETROL LAWN MOWER



Model No.PLM4628 PETROL LAWN MOWER

Item No.	Parts No.	Description	Interchangability	Q'ty	New/Old	Note1	Note2
001	671017580	ENGINE CLUTCH LEVER		1			
002	671001732	SELF DRIVE CONTROL LEVER		1			
003	671001029	HANDLE SHEATH		1			
004	671017970	UPPER HANDLE BAR		1			
005	DA00000575	HEX.CAP NUT M6		1			
006	DA00000574	FLAT WASHER 6		1			
007	DA00000573	OUTER WIRE STOPPER		1			
008	671001258	ENGINE CLUTCH WIRE ASSY		1	*		
008-1	671001222	SELF DRIVE CONTROL WIRE ASSY	X	1			
009	671001222	SELF DRIVE CONTROL WIRE ASSY		1	*		
009-1	671001258	ENGINE CLUTCH WIRE ASSY	X	1			
010	671013260	THROTTLE CONTROL BOX ASSY		1			
011	DA00000572	HEX.FLANGE BOLT M6X55		1			
012	DA00000577	HEX.FLANGE BOLT M6X35		1			
013	DA00000579	STARTER GRIP HOOK		1			
014	DA00000574	FLAT WASHER 6		1			
015	DA00000864	SPRING WASHER 6		1	*		
015-1	DA00000576	SPRING WASHER 6	O	1			
016	DA00000575	HEX.CAP NUT M6		1			
017	671090048	PIN 5X20		2			
018	671364005	TENSION LEVER		2			
019	671001119	RETAINER PLATE		2			
020	671001301	TENSION BOLT M8		2			
021	DA00000860	SELF-TAPPING SCREW ST3X10		4			
022	671054001	ANGLE ADJUSTMENT JOINT UPPER		2			
023	671055001	ANGLE ADJUSTMENT JOINT LOWER		2			
024	DA00000860	SELF-TAPPING SCREW ST3X10		4			
025	671011890	FLAT WASHER 8		2			
026	671005008	NYLON INSERT HEX.LOCK NUT M8		2			
027	671001804	LOWER HANDLE BAR		1			
028	671611001	CABLE CLIP		1			
029	671611001	CABLE CLIP		1			
030	671006004	SADDLE HEAD BOLT M8X58		2			
031	DA00000565	PLASTIC SADDLE WASHER 8		2			
032	671365005	KNOB OF LOWER HANDLE		2			
033	DA00000563	HEXAGON NUT M8		2			
034	DA00000562	HEX.FLANGE BOLT M8X16		4			
035	671001751	RIGHT HANDLE BRACKET BLUE		1			
036	DA00000537	HEX.FLANGE LOCK NUT M8		4			
037	DA00000900	PIPE END CAP 19		2			
038	671001750	LEFT HANDLE BRACKET BLUE		1			
039	671385001	GRASS LEVEL INSPECTION WINDOW		1			
040	671010710	TAPPING SCREW ST4X12		2			
041	671004272	REAR FLAP		1			
042	DA00000543	HEX.FLANGE LOCK NUT M6		2			

043	671011113	REAR FLAP TORSION SPRING R		1			
044	671001366	REAR FLAP HINGE ROD		1			
045	671011114	REAR FLAP TORSION SPRING L		1			
046	DA00000537	HEX.FLANGE LOCK NUT M8		3			
047	671002019	TRUSS HEAD SCREW M6X12		2			
048	671001025	HEIGHT ADJUSTER STOP PLATE		1			
049	DA00000543	HEX.FLANGE LOCK NUT M6		2			
050	671800104	GROMMET		1			
051	671001748	DECK BLUE		1			
052	671380001	SIDE DISCHARGE FLAP COVER		1			
053	671111300	SIDE FLAP TORSION SPRING		1			
054	671001019	SIDE DISCHARGE FLAP HINGE R OD		1			
055	671002183	SIDE FLAP HINGE PLATE		1			
056	671080040	SPRING WASHER 5		2	*		
056-1	DA00000198	SPRING WASHER 5	O	2			
057	671201501	PAN HEAD SCREW M5X10		2			
058	671536001	FRONT AXLE COVER		1			
059	671001037	TRUSS HEAD TAPPING SCREW 5X 16		9			
060	DA00000582	SQUARE WASHER 8		3			
061	DA00000586	HEX. BOLT M8X35		1			
062	DA00000617	SPECIAL HEX.BOLT M8X35/M8X1 7		2			
063	671004002	V PULLEY		1			
064	DA00000598	H.S.SET SCREW(FLAT POINT)M6X 8		1			
065	671012720	V BELT 10MMX6MM L=762MM		1			
066	671011174	SPRING OF GEAR BOX		1			
067	671501028	GEAR ASSY FOR SELF DRIVING		1			
068	671558001	BELT PROTECTION COVER		1			
069	671001037	TRUSS HEAD TAPPING SCREW 5X 16		2			
070	671007007	FLAT WASHER 8		2			
071	671005008	NYLON INSERT HEX.LOCK NUT M 8		2			
072	671090077	FLAT KEY		1			
073	671002093	BLADE SPASER SLEEVE		1			
074	671002448	INNER FRANGE		1			
075	671001451	BLADE 46		1	*		
075-1	DA00001274	BLADE 46	<	1			
076	671010730	DISH SPRING WASHER		1			
077	671006065	BLADE TIGHTEN BOLT 3/8-24 UN F		1			
078	671010530	WHEEL COVER 10 INCH		2			
079	DA00000537	HEX.FLANGE LOCK NUT M8		2			
080	671040160	FLANGED WHEEL BEARING 1/2 I NCH		2			
081	671020440	WHEEL ASSY 11 INCH		2			
082	671040160	FLANGED WHEEL BEARING 1/2 I NCH		2			
083	671295001	INTERNAL GEAR		2			
084	DA00000603	TAPPING SCREW ST4X16		12			
085	671087001	REAR WHEEL DUST-PROOF COVE		2			

		R				
086	671007062	WAVE WASHER 12		2		
087	671001372	REAR AXLE		1		
088	671010590	HEIGHT ADJUSTMENT LEVER GRIP		1		
089	671003033	COUNTERSUNK HEAD SCREW M5 X8		2		
090	DA00000904	HEIGHT ADJUSTMENT LEVER		1		
091	DA00000549	NYLON INSERT HEX.LOCK NUT M6		1		
092	671002030	PAN. HEAD SCREW M6X14		1		
093	DA00000604	STOP RING E-12		2		
094	DA00000607	SPUR GEAR 14 RIGHT		1		
095	DA00000597	COLUMN PIN 5X21.5		2		
096	DA00000604	STOP RING E-12		2		
097	DA00000608	FLAT WASHER 1/2 INCH		2		
098	DA00001029	BALL BEARING R8ZZ		2		
099	671002031	DRIVE SHAFT BEARING CASE		2		
100	DA00000612	STOP RING E-19		2		
101	671001076	SPRING WASHER 7/8 INCH		1		
102	671002019	TRUSS HEAD SCREW M6X12		4		
103	DA00000542	AXLE RETAINER		2		
104	DA00000543	HEX.FLANGE LOCK NUT M6		4		
105	DA00000605	SPUR GEAR 14 LEFT		1		
106	DA00000549	NYLON INSERT HEX.LOCK NUT M6		1		
107	671001377	LINK ROD		1		
108	DA00000549	NYLON INSERT HEX.LOCK NUT M6		1		
109	671105103	WHEEL COVER 7 INCH		2		
110	DA00000537	HEX.FLANGE LOCK NUT M8		2		
111	671040160	FLANGED WHEEL BEARING 1/2 INCH		2		
112	671204301	WHEEL ASSY 8 INCH		2		
113	671040160	FLANGED WHEEL BEARING 1/2 INCH		2		
114	671007062	WAVE WASHER 12		2		
115	671001374	FRONT AXLE		1		
116	DA00000549	NYLON INSERT HEX.LOCK NUT M6		4		
117	671376002	FRONT AXLE RETAINER		2		
118	671376001	FRONT AXLE MOUNT		2		
119	671006119	HEX. FRANGE BOLT M6X60		4		
120	DA00000897	HEIGHT ADJUST TENSION SPRING		2		
121	671384001	GRASS CATCHER HANDLE		1		
122	671382001	GRASS CATCHER UPPER BORAD		1		
123	DA00000614	TAPPING SCREW ST4.8X19		2		
124	671001032	TAPPING SCREW ST4.2X18		2		
125	671001381	GRASS CATCHER FRAME		1		
126	671013783	GRASS CATCH SIDE CLOSS SET MAK		1		
127	671326001	MULCHING PLUG BOX		1		
128	671316004	LOCKING BUTTON		1		
129	671011005	COMPRESSION SPRING		1		

130	671317001	PRESSING BOARD OF LOCKING		1		
131	DA00000603	TAPPING SCREW ST4X16		2		
132	671381001	SIDE DISCHARGE OUTLET		1		
A01	DA00000583	BOX WRENCH 16MM		1		
A02	DA00000584	WRENCH HANDLE		1		

Please state Parts No. when your order.

Print Date 25/10/2023