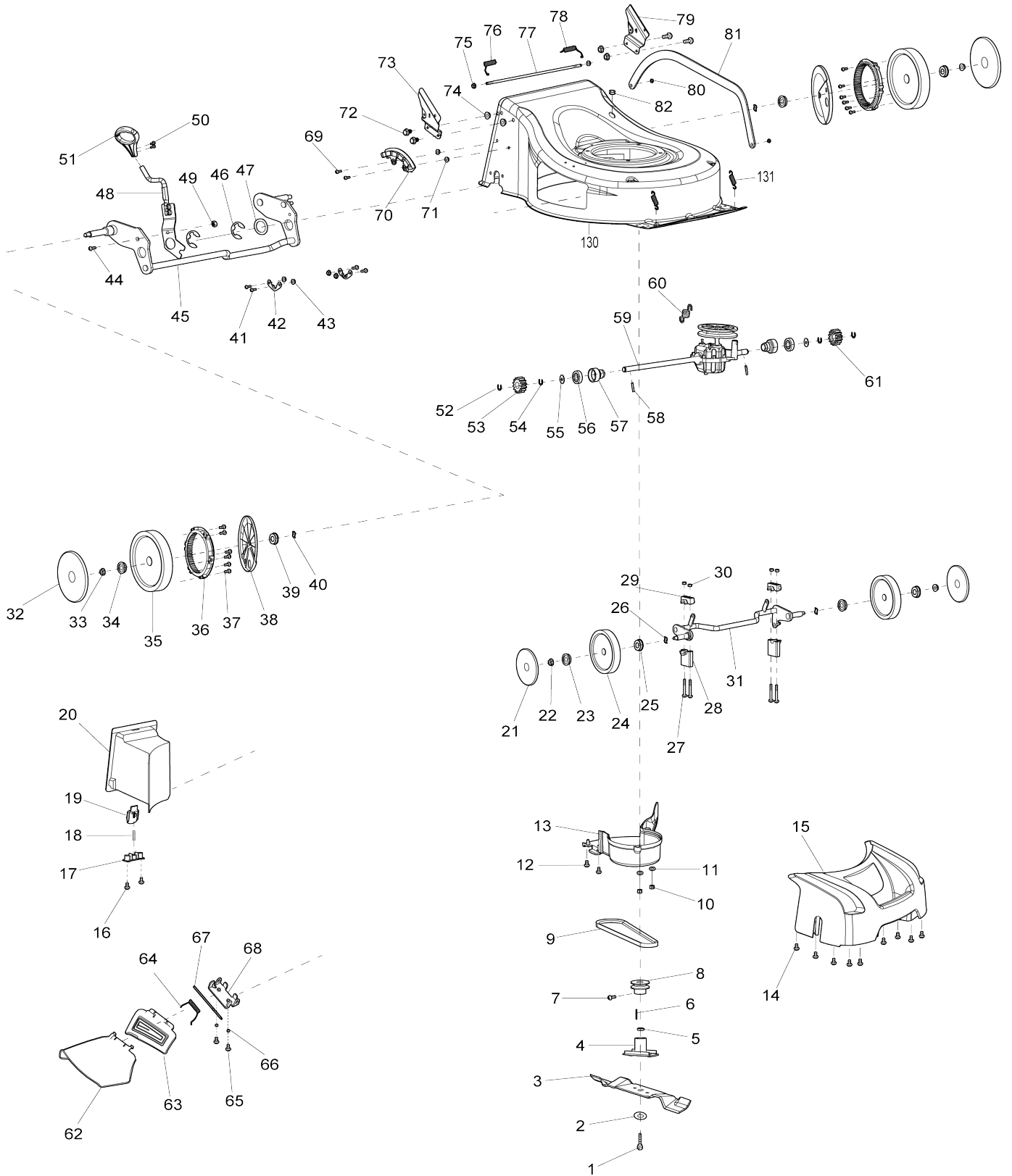
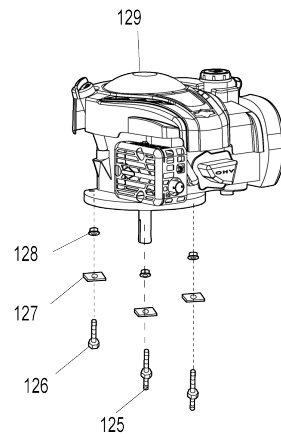
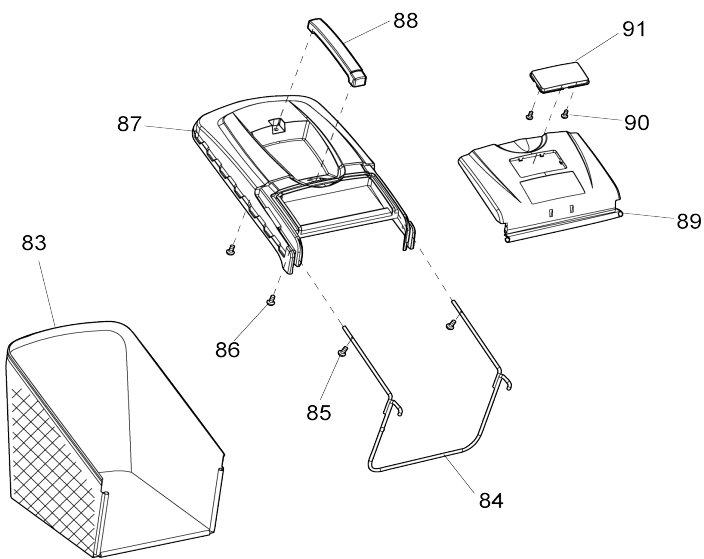
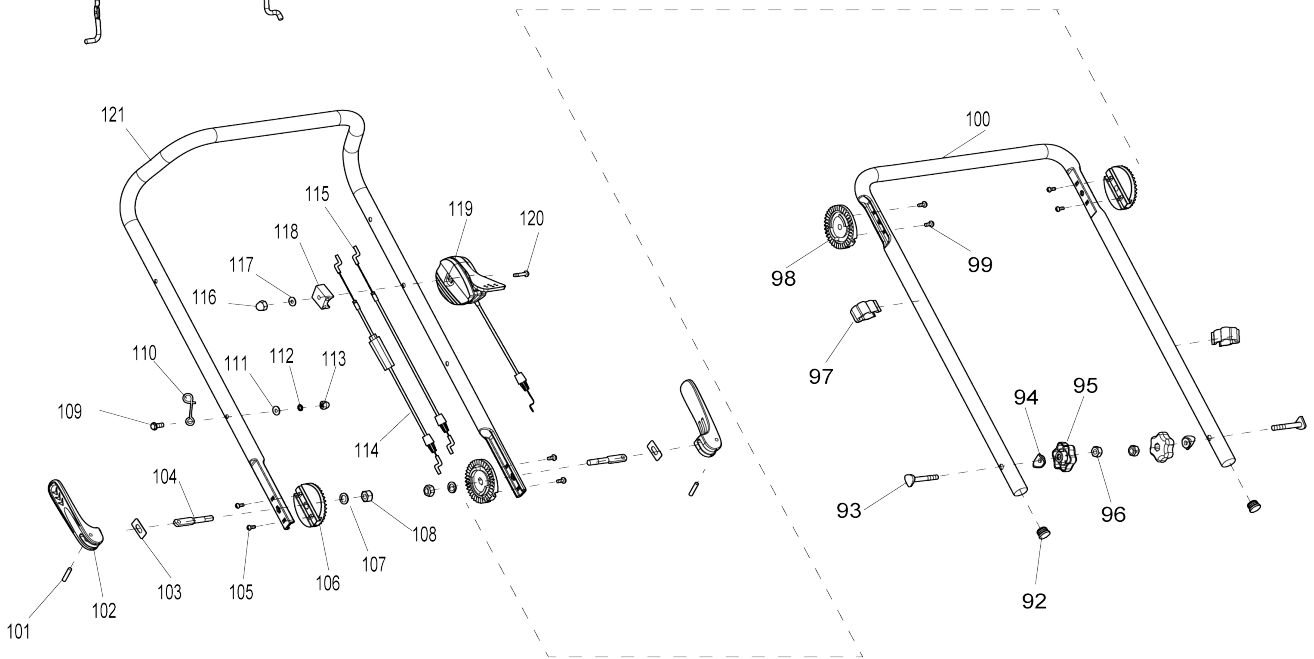
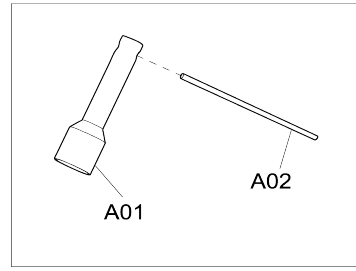
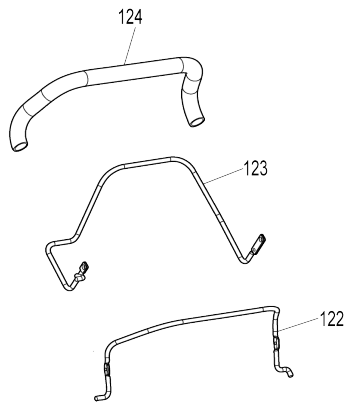


Model No. PLM4628N PETROL LAWN MOWER



Model No. PLM4628N PETROL LAWN MOWER



Model No.PLM4628N PETROL LAWN MOWER

Item No.	Parts No.	Description	Interchangability	Q'ty	New/Old	Note1	Note2
001	DA00000528	BLADE TIGHTEN BOLT 3/8-24 UNF		1			
002	671010730	DISH SPRING WASHER		1			
003	671001451	BLADE 46		1	*		
003-1	DA00001274	BLADE 46	<	1			
004	671002448	INNER FRANGE		1			
005	671002092	BLADE SUPPORT BUSH		1			
006	671090077	FLAT KEY		1			
007	DA00000598	H.S.SET SCREW(FLAT POINT)M6X8		1			
008	671004002	V PULLEY		1			
009	671012720	V BELT 10MMX6MM L=762MM		1			
010	671005008	NYLON INSERT HEX.LOCK NUT M8		2			
011	671007007	FLAT WASHER 8		2			
012	671001037	TRUSS HEAD TAPPING SCREW 5X16		2			
013	671558001	BELT PROTECTION COVER		1			
014	671001037	TRUSS HEAD TAPPING SCREW 5X16		9			
015	671536001	FRONT AXLE COVER		1			
016	671107301	SELF-TAPPING SCREW ST4*16		2			
017	671317001	PRESSING BOARD OF LOCKING		1			
018	671011005	COMPRESSION SPRING		1			
019	671316004	LOCKING BUTTON		1			
020	671326001	MULCHING PLUG BOX		1			
021	671105103	WHEEL COVER 7 INCH		2			
022	DA00000537	HEX.FLANGE LOCK NUT M8		2			
023	671040160	FLANGED WHEEL BEARING 1/2 INCH		2			
024	671204301	WHEEL ASSY 8 INCH		2			
025	671040160	FLANGED WHEEL BEARING 1/2 INCH		2			
026	671007062	WAVE WASHER 12		2			
027	671006119	HEX. FRANGE BOLT M6X60		4			
028	671376001	FRONT AXLE MOUNT		2			
029	671376002	FRONT AXLE RETAINER		2			
030	DA00000549	NYLON INSERT HEX.LOCK NUT M6		4			
031	671001374	FRONT AXLE		1			
032	671010530	WHEEL COVER 10 INCH		2			
033	DA00000537	HEX.FLANGE LOCK NUT M8		2			
034	671040160	FLANGED WHEEL BEARING 1/2 INCH		2			
035	671020440	WHEEL ASSY 11 INCH		2			
036	671295001	INTERNAL GEAR		2			
037	671107301	SELF-TAPPING SCREW ST4*16		12			
038	671087001	REAR WHEEL DUST-PROOF COVER		2			
039	671040160	FLANGED WHEEL BEARING 1/2 INCH		2			

040	671007062	WAVE WASHER 12		2		
041	671002019	TRUSS HEAD SCREW M6X12		4		
042	DA00000542	AXLE RETAINER		2		
043	DA00000543	HEX.FLANGE LOCK NUT M6		4		
044	671002030	PAN. HEAD SCREW M6X14		1		
045	671001372	REAR AXLE		1		
046	DA00000612	STOP RING E-19		2		
047	671001076	SPRING WASHER 7/8 INCH		1		
048	DA00000904	HEIGHT ADJUSTMENT LEVER		1		
049	DA00000549	NYLON INSERT HEX.LOCK NUT M6		1		
050	671003033	COUNTERSUNK HEAD SCREW M5 X8		2		
051	671010590	HEIGHT ADJUSTMENT LEVER GRIP		1		
052	DA00000604	STOP RING E-12		2		
053	DA00000607	SPUR GEAR 14 RIGHT		1		
054	DA00000604	STOP RING E-12		2		
055	DA00000608	FLAT WASHER 1/2 INCH		2		
056	DA00000609	BEARING		2		
057	671002031	DRIVE SHAFT BEARING CASE		2		
058	DA00000597	COLUMN PIN 5X21.5		2		
059	671501028	GEAR ASSY FOR SELF DRIVING		1		
060	671011174	SPRING OF GEAR BOX		1		
061	DA00000605	SPUR GEAR 14 LEFT		1		
062	671381001	SIDE DISCHARGE OUTLET		1		
063	671380001	SIDE DISCHARGE FLAP COVER		1		
064	671111300	SIDE FLAP TORSION SPRING		1		
065	671201501	PAN HEAD SCREW M5X10		2		
066	671080040	SPRING WASHER 5		2	*	
066-1	DA00000198	SPRING WASHER 5	O	2		
067	671001019	SIDE DISCHARGE FLAP HINGE ROD		1		
068	671002183	SIDE FLAP HINGE PLATE		1		
069	671002019	TRUSS HEAD SCREW M6X12		2		
070	DA00000898	HEIGHT ADJUSTMENT PLATE		1		
071	DA00000543	HEX.FLANGE LOCK NUT M6		2		
072	DA00000562	HEX.FLANGE BOLT M8X16		4		
073	671001751	RIGHT HANDLE BRACKET BLUE		1		
074	DA00000537	HEX.FLANGE LOCK NUT M8		4		
075	DA00000543	HEX.FLANGE LOCK NUT M6		2		
076	671011113	REAR FLAP TORSION SPRING R		1		
077	671001366	REAR FLAP HINGE ROD		1		
078	671011114	REAR FLAP TORSION SPRING L		1		
079	671001750	LEFT HANDLE BRACKET BLUE		1		
080	DA00000549	NYLON INSERT HEX.LOCK NUT M6		2		
081	671001377	LINK ROD		1		
082	671800104	GROMMET		1		
083	671013783	GRASS CATCH SIDE CLOSS SET MAK		1		
084	671001381	GRASS CATCHER FRAME		1		
085	671001032	TAPPING SCREW ST4.2X18		2		

086	DA00000614	TAPPING SCREW ST4.8X19		2		
087	671382001	GRASS CATCHER UPPER BORAD		1		
088	671384001	GRASS CATCHER HANDLE		1		
089	671004272	REAR FLAP		1		
090	671010710	TAPPING SCREW ST4X12		2		
091	671385001	GRASS LEVEL INSPECTION WINDOW		1		
092	DA00000900	PIPE END CAP 19		2		
093	671006004	SADDLE HEAD BOLT M8X58		2		
094	DA00000565	PLASTIC SADDLE WASHER 8		2		
095	671365005	KNOB OF LOWER HANDLE		2		
096	DA00000563	HEXAGON NUT M8		2		
097	671611001	CABLE CLIP		2		
098	671055001	ANGLE ADJUSTMENT JOINT LOWER		2		
099	DA00000860	SELF-TAPPING SCREW ST3X10		4		
100	671001804	LOWER HANDLE BAR		1		
101	671090048	PIN 5X20		2		
102	671364005	TENSION LEVER		2		
103	671001119	RETAINER PLATE		2		
104	671001301	TENSION BOLT M8		2		
105	DA00000860	SELF-TAPPING SCREW ST3X10		4		
106	671054001	ANGLE ADJUSTMENT JOINT UPPER		2		
107	671011890	FLAT WASHER 8		2		
108	671005008	NYLON INSERT HEX.LOCK NUT M8		2		
109	DA00000577	HEX.FLANGE BOLT M6X35		1		
110	DA00000579	STARTER GRIP HOOK		1		
111	DA00000574	FLAT WASHER 6		1		
112	DA00000864	SPRING WASHER 6		1	*	
112-1	DA00000576	SPRING WASHER 6	O	1		
113	DA00000575	HEX.CAP NUT M6		1		
114	671001258	ENGINE CLUTCH WIRE ASSY		1	*	
114-1	671001222	SELF DRIVE CONTROL WIRE ASSY	X	1		
115	671001222	SELF DRIVE CONTROL WIRE ASSY		1	*	
115-1	671001258	ENGINE CLUTCH WIRE ASSY	X	1		
116	DA00000575	HEX.CAP NUT M6		1		
117	DA00000574	FLAT WASHER 6		1		
118	DA00000573	OUTER WIRE STOPPER		1		
119	671013260	THROTTLE CONTROL BOX ASSY		1		
120	DA00000572	HEX.FLANGE BOLT M6X55		1		
121	671017970	UPPER HANDLE BAR		1		
122	671017580	ENGINE CLUTCH LEVER		1		
123	671001732	SELF DRIVE CONTROL LEVER		1		
124	671001029	HANDLE SHEATH		1		
125	DA00000617	SPECIAL HEX.BOLT M8X35/M8X17		2		
126	DA00000586	HEX. BOLT M8X35		1		
127	DA00000582	SQUARE WASHER 8		3		
128	DA00000537	HEX.FLANGE LOCK NUT M8		3		
130	671010054	DECK(MAKITA BLUE)		1		
131	DA00000897	HEIGHT ADJUST TENSION SPRIN		2		

		G					
A01	DA00000583	BOX WRENCH 16MM		1			
A02	DA00000584	WRENCH HANDLE		1			

Please state Parts No. when your order.

Print Date 10/26/2023