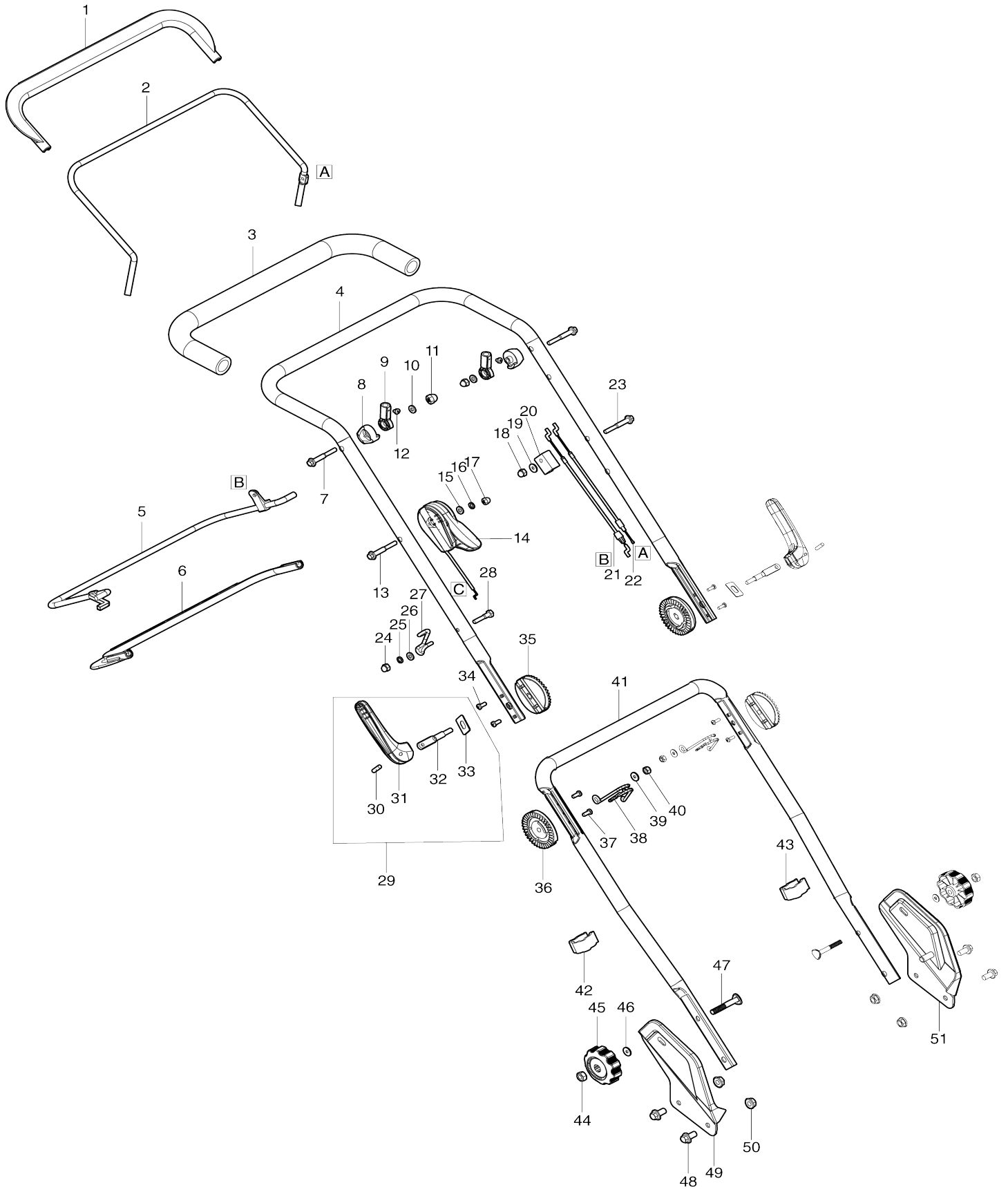
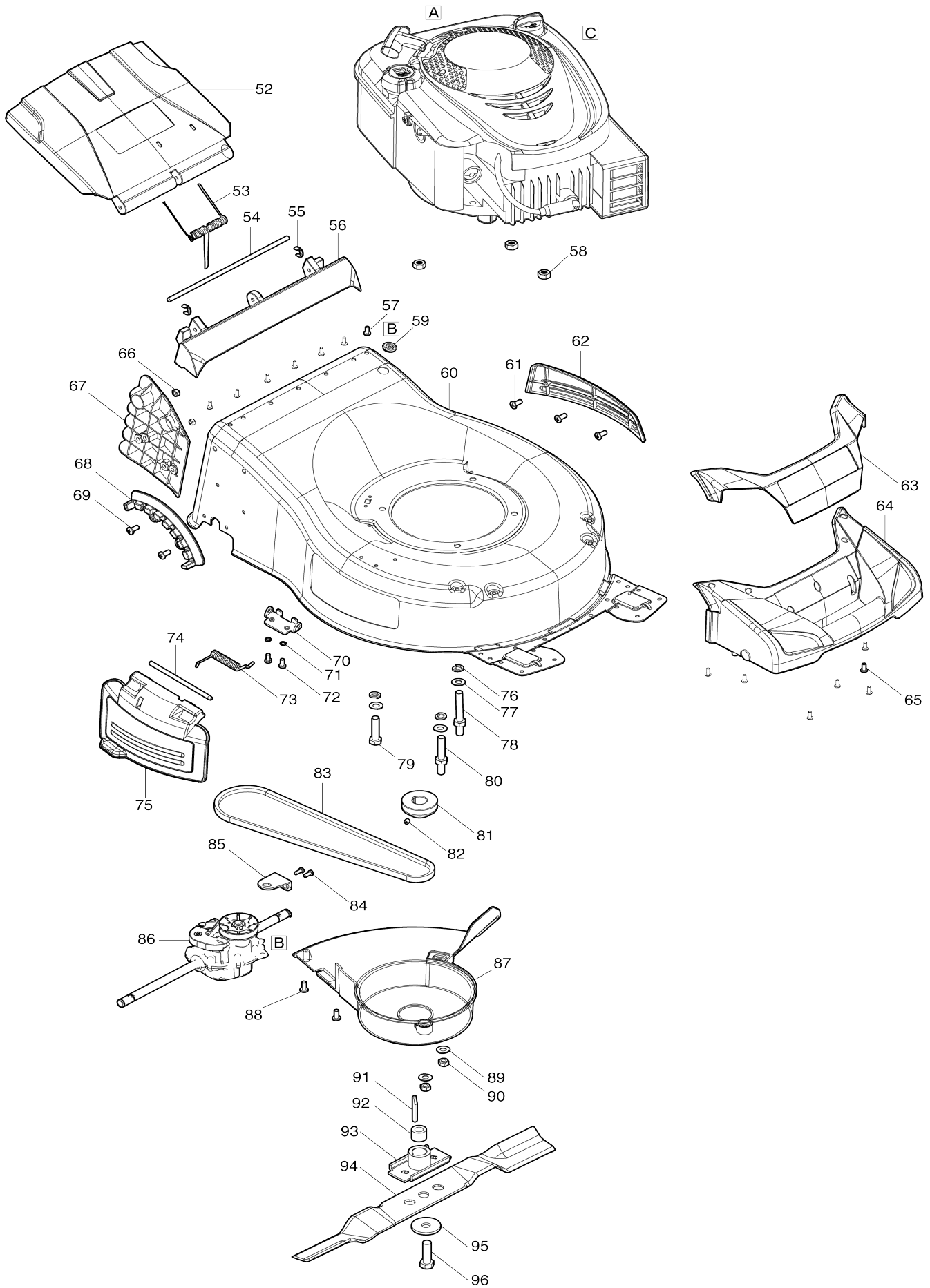


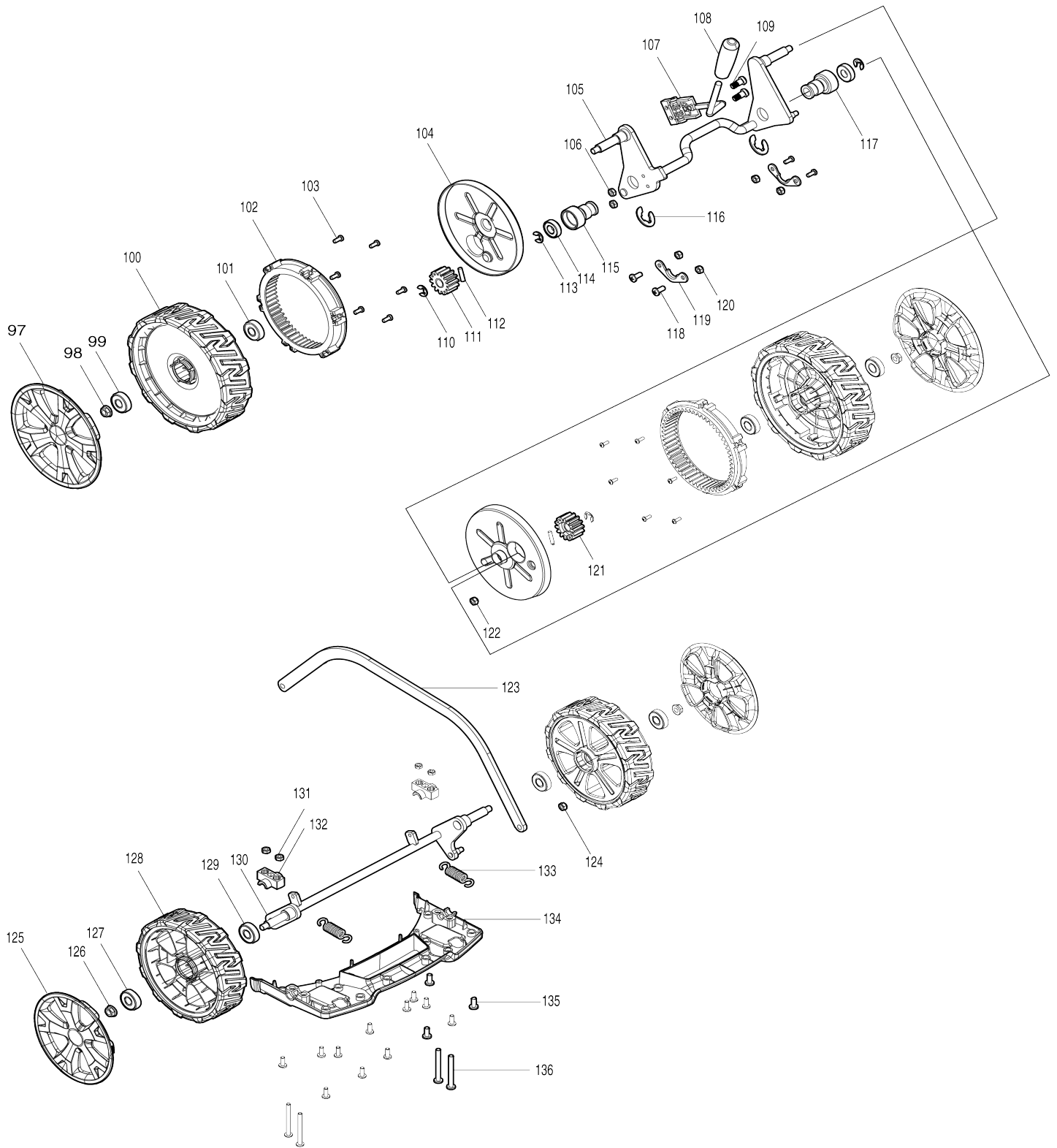
Model No. PLM4631 PETROL LAWN MOWER



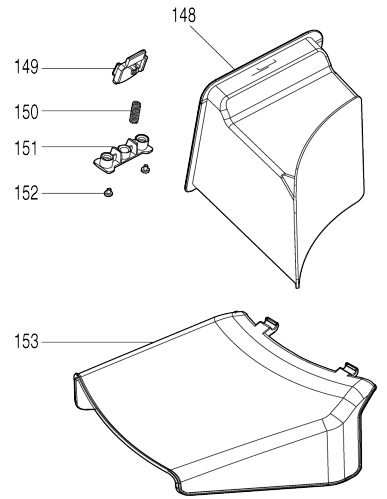
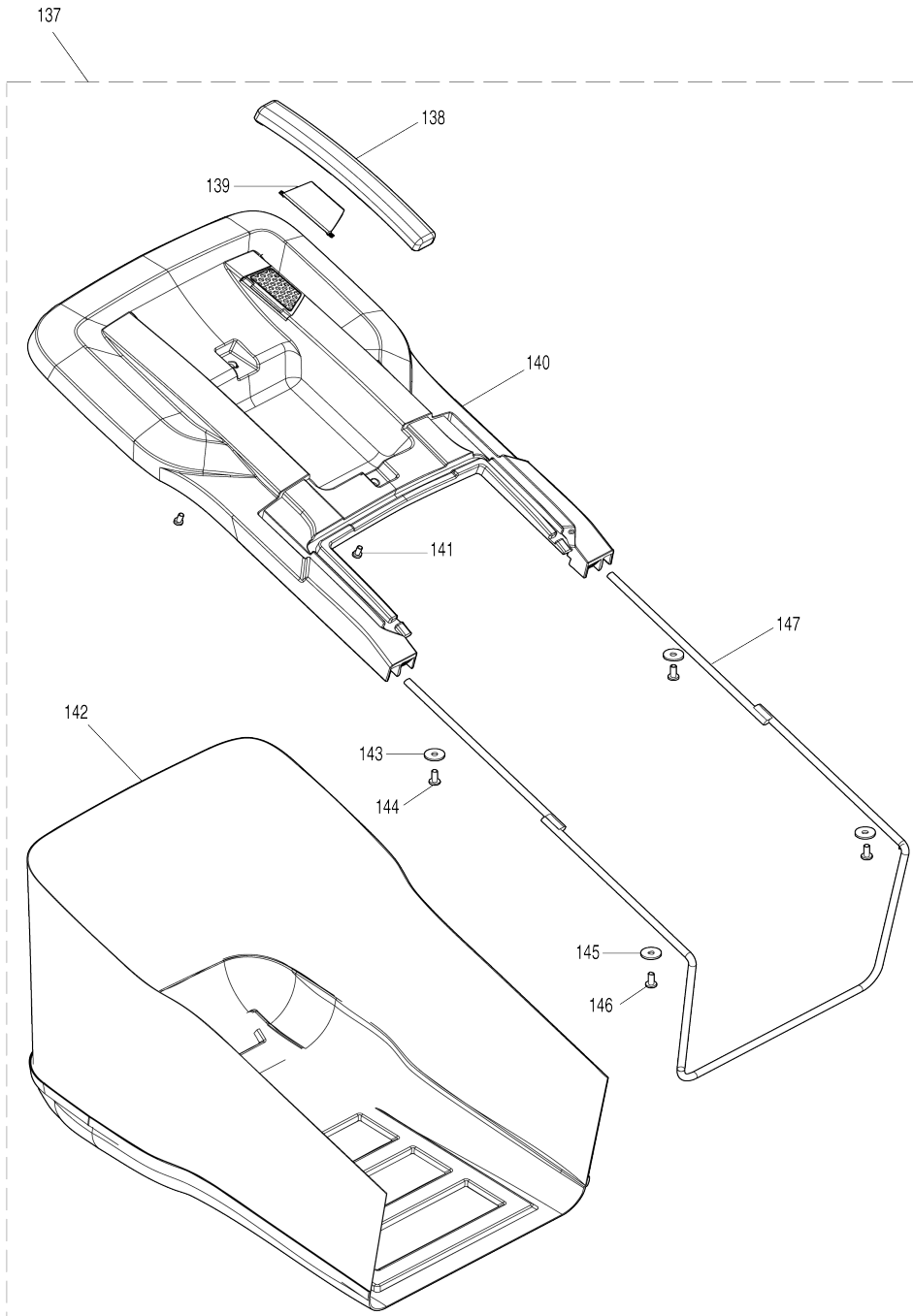
Model No. PLM4631 PETROL LAWN MOWER



Model No. PLM4631 PETROL LAWN MOWER



Model No. PLM4631 PETROL LAWN MOWER



Model No.PLM4631 PETROL LAWN MOWER

Item No.	Parts No.	Description	Interchangeability	Q'ty	New/Old	Note1	Note2
001	671020130	LEVER SHEATH RED		1			
002	671018730	ENGINE CLUTCH LEVER		1			
003	671103001	HANDLE SHEATH		1			
004	671001778	UPPER HANDLE BAR ASSY		1			
005	671001874	SELF DRIVE CONTROL LEVER		1			
006	671201401	LEVER SHEATH BLACK		1			
007	671006029	HEX. FLANGE BOLT M6X45		2			
008	671990001	ENGINE CLUTCH LEVER BRACKET		2			
009	671989001	ENGINE CLUTCH LEVER END CAP		2			
010	671007070	FLAT WASHER 6		2			
011	DA00000575	HEX.CAP NUT M6		2			
012	671002025	PAN. HEAD SCREW M4X8		2			
013	671006082	HEX. FLANGE BOLT M6X50		1			
014	671106202	THROTTLE CONTROL BOX ASSY		1			
015	DA00000574	FLAT WASHER 6		1			
016	DA00000864	SPRING WASHER 6		1	*		
016-1	DA00000576	SPRING WASHER 6	O	1			
017	DA00000575	HEX.CAP NUT M6		1			
018	DA00000575	HEX.CAP NUT M6		1			
019	DA00000574	FLAT WASHER 6		1			
020	DA00000573	OUTER WIRE STOPPER		1			
021	671001288	SELF DRIVE CONTROL WIRE ASSY		1			
022	671001292	ENGINE CLUTCH WIRE		1			
023	DA00000577	HEX.FLANGE BOLT M6X35		1			
024	DA00000575	HEX.CAP NUT M6		1			
025	DA00000864	SPRING WASHER 6		1	*		
025-1	DA00000576	SPRING WASHER 6	O	1			
026	DA00000574	FLAT WASHER 6		1			
027	DA00000579	STARTER GRIP HOOK		1			
028	DA00000577	HEX.FLANGE BOLT M6X35		1			
029	671005141	TENSION LEVER ASSY		2			
D10		INC. 30-33					
030	671090040	PIN 5.3X20		1			
031	671431001	TENSION LEVER		1			
032	671006167	TENSION BOLT M8		1			
033	671001119	RETAINER PLATE		1			
034	DA00000840	TAPPING SCREW ST3X10		4			
035	DA00000861	ANGLE ADJUSTMENT JOINT UPPER		2			
036	DA00000862	ANGLE ADJUSTMENT JOINT LOWER		2			
037	DA00000840	TAPPING SCREW ST3X10		4			
038	671002361	CABLE FIXING RING		2			
039	671007007	FLAT WASHER 8		2			
040	671005008	NYLON INSERT HEX.LOCK NUT M8		2			
041	671017070	LOWER HANDLE BAR		1			
042	671611001	CABLE CLIP		1			

043	671611001	CABLE CLIP		1		
044	DA00000563	HEXAGON NUT M8		2		
045	DA00000564	KNOB		2		
046	671007007	FLAT WASHER 8		2		
047	DA00000839	SADDLE HEAD BOLT M8X35		2		
048	DA00000562	HEX.FLANGE BOLT M8X16		4		
049	DA00000858	RIGHT HANDLE BRACKET BLUE		1		
050	DA00000537	HEX.FLANGE LOCK NUT M8		4		
051	DA00000859	LEFT HANDLE BRACKET BLUE		1		
052	671933001	REAR FLAP BLUE		1		
053	671011203	REAR FLAP TORSION SPRING		1		
054	671002365	REAR FLAP HINGE ROD		1		
055	671009017	STOP RING E-6		2		
056	671932001	REAR FLAP BRACKET BLUE		1		
057	DA00000826	SELF-TAPPING SCREW ST4X12		7		
058	DA00000537	HEX.FLANGE LOCK NUT M8		3		
059	671800104	GROMMET		1		
060	671001820	DECK BLUE		1		
061	671010310	TAPPING SCREW ST4.2X8		3		
062	671928001	SIDE PROTECTOR LEFT SIDE		1		
063	671925001	FRONT COVER		1		
064	671003041	FRONT AXLE HOUSING UPPER		1		
065	DA00000826	SELF-TAPPING SCREW ST4X12		7		
066	DA00000549	NYLON INSERT HEX.LOCK NUT M 6		2		
067	671085001	GRASS OUTLET SLOPE BOARD		1		
068	671010670	HEIGHT ADJUSTER STOP PLATE		1		
069	DA00000552	TRUSS HEAD SCREW M6X16		2		
070	671001571	SIDE FLAP HINGE PLATE		1		
071	671080040	SPRING WASHER 5		2	*	
071-1	DA00000198	SPRING WASHER 5	O	2		
072	671002010	PAN.HED SCREW M5X12		2		
073	671011205	SIDE FLAP TORSION SPRING		1		
074	671001019	SIDE DISCHARGE FLAP HINGE R OD		1		
075	671929001	SIDE DISCHARGE FLAP COVER		1		
076	DA00000832	SPRING WASHER 8		3		
077	671007007	FLAT WASHER 8		3		
078	671003024	SPECIAL HEX. BOLT M8X60/M8X17		1		
079	DA00000586	HEX. BOLT M8X35		1		
080	DA00000617	SPECIAL HEX.BOLT M8X35/M8X17		1		
081	671004038	V PULLEY		1		
082	DA00000598	H.S.SET SCREW(FLAT POINT)M6X8		1		
083	671001273	Z28V BELT 10MMX6MM L=710MM		1		
084	DA00000553	HEX. FLANGE BOLT M6X12		2		
085	671002577	GEAR BOX MOUNT		1		
086	671502038	GEAR ASSY FOR SELF DRIVING		1		
087	671996001	BELT PROTECTING COVER		1		
088	671001037	TRUSS HEAD TAPPING SCREW 5X16		2		

089	671007007	FLAT WASHER 8		2		
090	671005008	NYLON INSERT HEX.LOCK NUT M 8		2		
091	671090002	FLAT KEY		1		
092	671002089	BLADE SPASER SLEEVE		1		
093	DA00000857	INNER FRANGE		1		
094	671014610	BLADE 46		1	*	
094-1	DA00001274	BLADE 46	<	1		
095	DA00000529	DISH SPRING WASHER 10		1		
096	DA00000528	BLADE TIGHTEN BOLT 3/8-24 UN F		1		
097	671030150	WHEEL COVER 7 INCH		2		
098	DA00000537	HEX.FLANGE LOCK NUT M8		2		
099	DA00000538	BALL BEARING 6201ZZ		2		
100	671020300	WHEEL ASSY 8 INCH		2		
101	DA00000538	BALL BEARING 6201ZZ		2		
102	DA00000849	INTERNAL GEAR		2		
103	DA00000603	TAPPING SCREW ST4X16		12		
104	DA00000606	REAR WHEEL DUST-PROOF COVER		2		
105	671002367	REAR AXLE		1		
106	DA00000549	NYLON INSERT HEX.LOCK NUT M 6		2		
107	DA00000834	HEIGHT ADJUSTMENT LEVER ASSY		1		
108	671500201	HEIGHT ADJUSTMENT KNOB		1	*	
108-1	DA00001058	HEIGHT ADJUSTMENT KNOB	O	1		
109	671002041	TRUSS HEAD STEPPED SCREW M 6X17		2		
110	DA00000604	STOP RING E-12		2		
111	DA00000607	SPUR GEAR 14 RIGHT		1		
112	DA00000597	COLUMN PIN 5X21.5		2		
113	DA00000604	STOP RING E-12		2		
114	DA00001029	BALL BEARING R8ZZ		2		
115	671002085	DRIVE SHAFT BEARING CASE R		1		
116	DA00000612	STOP RING E-19		2		
117	DA00000610	DRIVE SHAFT BEARING CASE		1		
118	671002019	TRUSS HEAD SCREW M6X12		4		
119	DA00000542	AXLE RETAINER		2		
120	DA00000543	HEX.FLANGE LOCK NUT M6		4		
121	DA00000605	SPUR GEAR 14 LEFT		1		
122	DA00000549	NYLON INSERT HEX.LOCK NUT M 6		1		
123	671002364	LINK ROD		1		
124	DA00000549	NYLON INSERT HEX.LOCK NUT M 6		1		
125	671003014	WHEEL COVER 6.5 INCH		2		
126	DA00000537	HEX.FLANGE LOCK NUT M8		2		
127	DA00000538	BALL BEARING 6201ZZ		2		
128	671020150	WHEEL ASSY 7 INCH		2		
129	DA00000538	BALL BEARING 6201ZZ		2		
130	671002362	FRONT AXLE		1		
131	DA00000549	NYLON INSERT HEX.LOCK NUT M 6		4		

132	671445001	FRONT AXLE RETAINER		2		
133	671011230	HEIGHT ADJUST TENSION SPRING		2		
134	671927001	FRONT AXLE HOUSING LOWER		1		
135	DA00000826	SELF-TAPPING SCREW ST4X12		14		
136	671006119	HEX. FRANGE BOLT M6X60		4		
137	671005159	GRASS CATCHER ASSY MAKITA		1		
D10		INC. 138-147				
138	671937001	GRASS CATCHER HANDLE		1		
139	671001075	GRASS CATCHER INDICATOR BLUE		1		
140	671992001	GRASS CATCHER UPPER BORAD		1		
141	DA00000603	TAPPING SCREW ST4X16		2		
142	671153401	GRASS CATCH SIDE CLOSS SET MAK		1		
143	671001436	WASHER 4		2	*	
143-1	DA00000025	WASHER 5	O	2		
144	DA00000603	TAPPING SCREW ST4X16		2		
145	671001436	WASHER 4		2	*	
145-1	DA00000025	WASHER 5	O	2		
146	DA00000603	TAPPING SCREW ST4X16		2		
147	DA00000843	GRASS CATCHER FRAME		1		
148	DA00000844	MULCHING PLUG BOX		1		
149	671316004	LOCKING BUTTON		1		
150	671011005	COMPRESSION SPRING		1		
151	671317001	PRESSING BOARD OF LOCKING		1		
152	DA00000603	TAPPING SCREW ST4X16		2		
153	671930001	SIDE DISCHARGE OUTLET		1		
A01	671001078	BOX WRENCH 21MM		1		
A02	DA00000584	WRENCH HANDLE		1		

Please state Parts No. when your order.

Print Date 25/10/2023