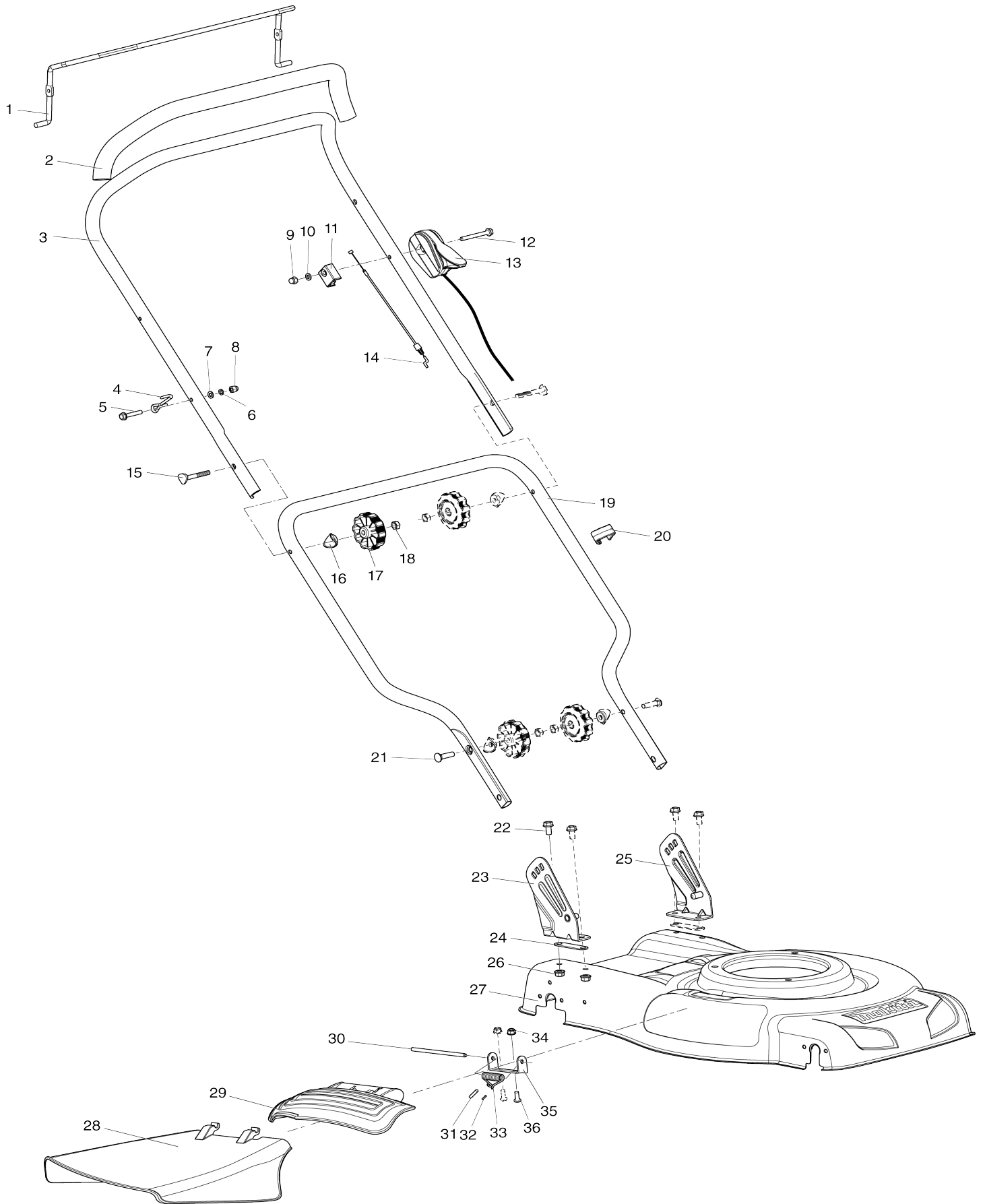
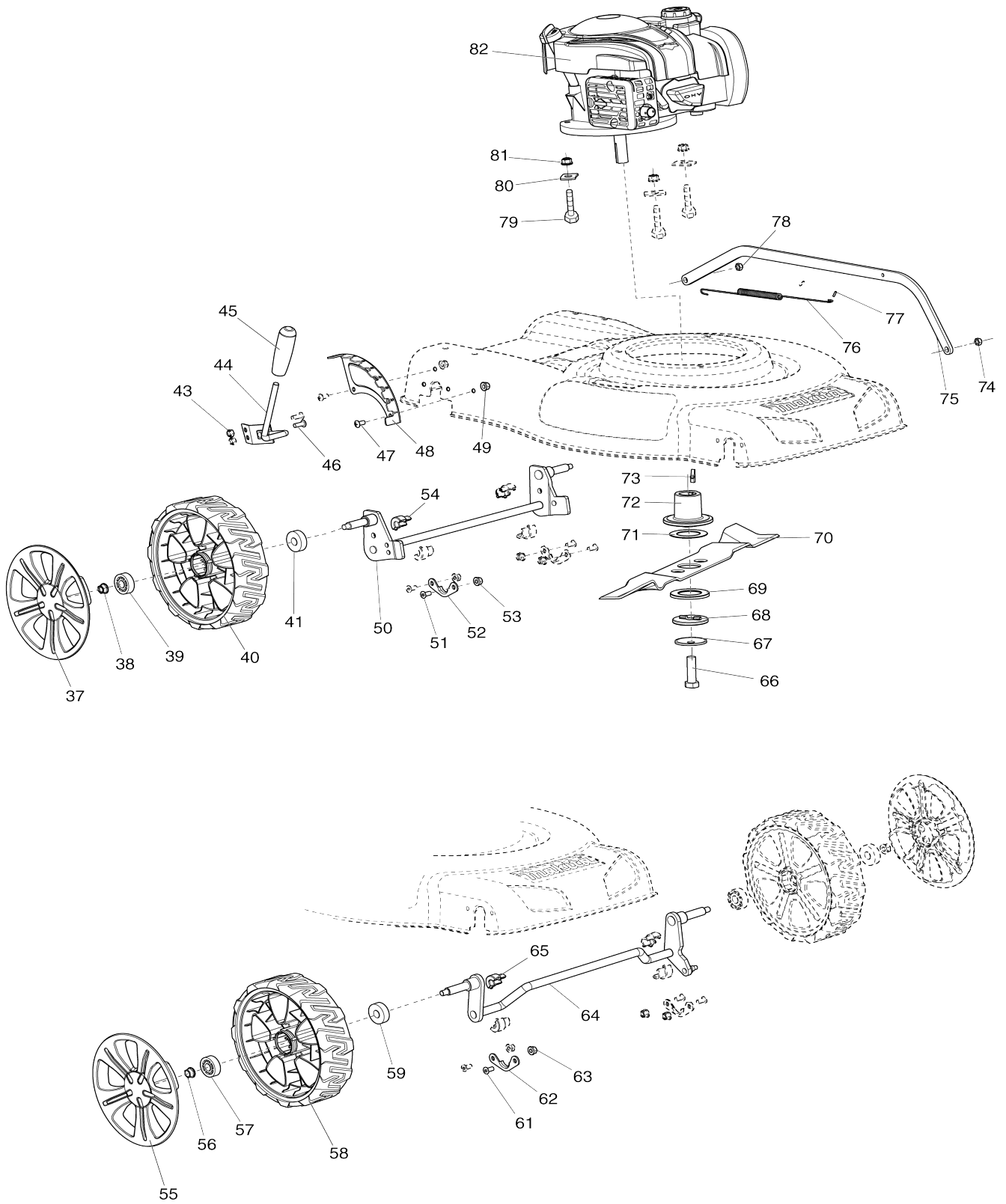


Model No. PLM4818 PETROL LAWN MOWER



Model No. PLM4818 PETROL LAWN MOWER



Model No.PLM4818 PETROL LAWN MOWER

Item No.	Parts No.	Description	Interchangability	Q'ty	New/Old	Note1	Note2
001	DA00000581	FLAMEOUT POLE RED		1			
002	DA00000580	HANDLE SHEATH		1			
003	DA00000578	UPPER HANDLE		1			
004	DA00000579	STARTER GRIP HOOK		1			
005	DA00000577	HEX.FLANGE BOLT M6X35		1			
006	DA00000576	SPRING WASHER 6		1			
007	DA00000574	FLAT WASHER 6		1			
008	DA00000575	HEX.CAP NUT M6		1			
009	DA00000575	HEX.CAP NUT M6		1			
010	DA00000574	FLAT WASHER 6		1			
011	DA00000573	OUTER WIRE STOPPER		1			
012	DA00000572	HEX.FLANGE BOLT M6X55		1			
013	DA00000571	THROTTLE ASS'Y		1			
014	DA00000570	FLAMEOUT CABLE ASS'Y		1			
015	DA00000569	SADDLE HEAD BOLT M8X58		2			
016	DA00000565	PLASTIC SADDLE WASHER 8		4			
017	DA00000564	KNOB		4			
018	DA00000563	HEXAGON NUT M8		4			
019	DA00000568	LOWER HANDLE		1			
020	DA00000567	CABLE CLAMP		1			
021	DA00000566	BOLT M8X40		2			
022	DA00000562	HEX.FLANGE BOLT M8X16		4			
023	DA00000588	RIGHT HANDLE BRACKET BLUE		1			
024	DA00000561	HANDLE BRACKET WASHER		2			
025	DA00000587	LEFT HANDLE BRACKET BLUE		1			
026	DA00000537	HEX.FLANGE LOCK NUT M8		4			
027	DA00000619	DECK (MAKITA BLUE)		1			
028	DA00000560	SIDE DISCHARGE PROTECTING		1			
029	DA00000559	SIDE DISCHARGE FLAP COVER		1			
030	DA00000558	SIDE DISCHARGE FLAP HINGE ROD		1			
031	DA00000557	HEAT-SHRINKABLE TUBE		1			
032	DA00000547	HEAT-SHRINKABLE TUBE		1			
033	DA00000556	SIDE FLAP TORSION SPRING		1			
034	DA00000543	HEX.FLANGE LOCK NUT M6		2			
035	DA00000555	SIDE FLAP HINGE PLATE		1			
036	DA00000781	HEXAGON FLANGE BOLT		2			
037	DA00000536	WHEEL COVER 7 INCH		2			
038	DA00000537	HEX.FLANGE LOCK NUT M8		2			
039	DA00000538	BALL BEARING 6201ZZ		2			
040	DA00000539	REAR WHEEL ASSY		2			
041	DA00000538	BALL BEARING 6201ZZ		2			
043	DA00000549	NYLON INSERT HEX.LOCK NUT M6		2			
044	DA00000550	HANDLE ASS'Y		1			
045	DA00000551	HANDLE SHEATH		1	*		
045-1	DA00001058	HEIGHT ADJUSTMENT KNOB	O	1			
046	DA00000552	TRUSS HEAD SCREW M6X16		2			

047	DA00000553	HEX. FLANGE BOLT M6X12		2		
048	DA00000554	HEIGHT ADJUSTMENT BOARD		1		
049	DA00000543	HEX.FLANGE LOCK NUT M6		2		
050	DA00000585	REAR WHEEL AXIS ASS'Y		1		
051	DA00000541	SCREW		4		
052	DA00000780	FIXING RING FOR WHEEL AXIS		2		
053	DA00000543	HEX.FLANGE LOCK NUT M6		4		
054	DA00000545	AXLE MOUNT		4		
055	DA00000536	WHEEL COVER 7 INCH		2		
056	DA00000537	HEX.FLANGE LOCK NUT M8		2		
057	DA00000538	BALL BEARING 6201ZZ		2		
058	DA00000539	REAR WHEEL ASSY		2		
059	DA00000538	BALL BEARING 6201ZZ		2		
061	DA00000541	SCREW		4		
062	DA00000780	FIXING RING FOR WHEEL AXIS		2		
063	DA00000543	HEX.FLANGE LOCK NUT M6		4		
064	DA00000544	FRONT WHEEL AXIS ASS'Y		1		
065	DA00000545	AXLE MOUNT		4		
066	DA00000528	BLADE TIGHTEN BOLT 3/8-24 UN F		1		
067	DA00000529	DISH SPRING WASHER 10		1		
068	DA00000530	OUTER FRANGE		1		
069	DA00000531	NYLON CUP WASHER 32		1		
070	DA00000532	BLADE		1		
071	DA00000533	NYLON FLAT WASHER 32		1		
072	DA00000534	BLADE SUPPORT		1		
073	DA00000535	HIGHT ADJUST SUPPORT SPRING		1		
074	DA00000549	NYLON INSERT HEX.LOCK NUT M 6		1		
075	DA00000548	CONNECTION ROD		1		
076	DA00000546	CONNECTION ROD SPRING		1		
077	DA00000547	HEAT-SHRINKABLE TUBE		2		
078	DA00000549	NYLON INSERT HEX.LOCK NUT M 6		1		
079	DA00000586	HEX. BOLT M8X35		3		
080	DA00000582	SQUARE WASHER 8		3		
081	DA00000537	HEX.FLANGE LOCK NUT M8		3		
082	DA00000592	ENGINE		1	*	
A01	DA00000583	BOX WRENCH 16MM		1		
A02	DA00000584	WRENCH HANDLE		1		

Please state Parts No. when your order.

Print Date 25/10/2023