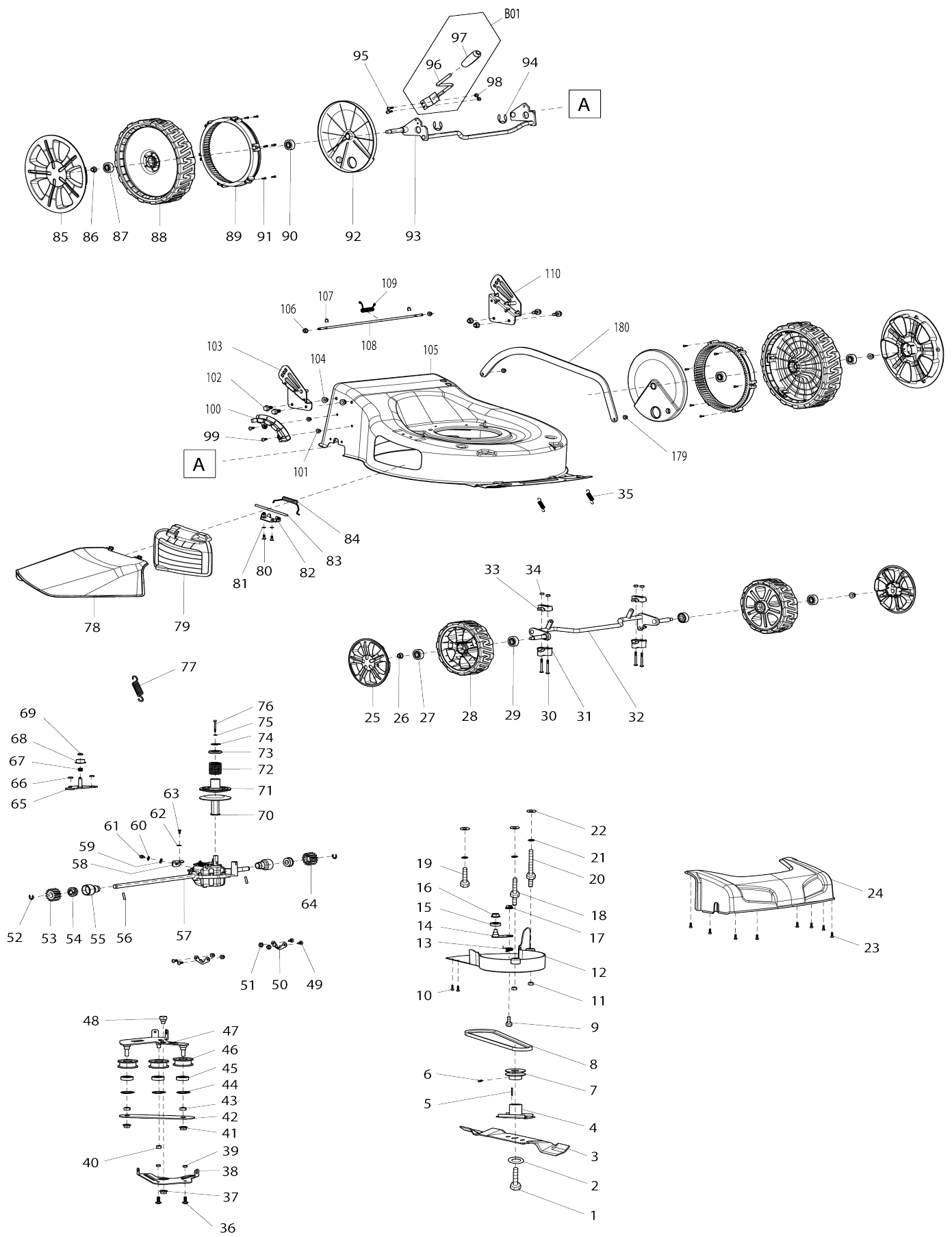
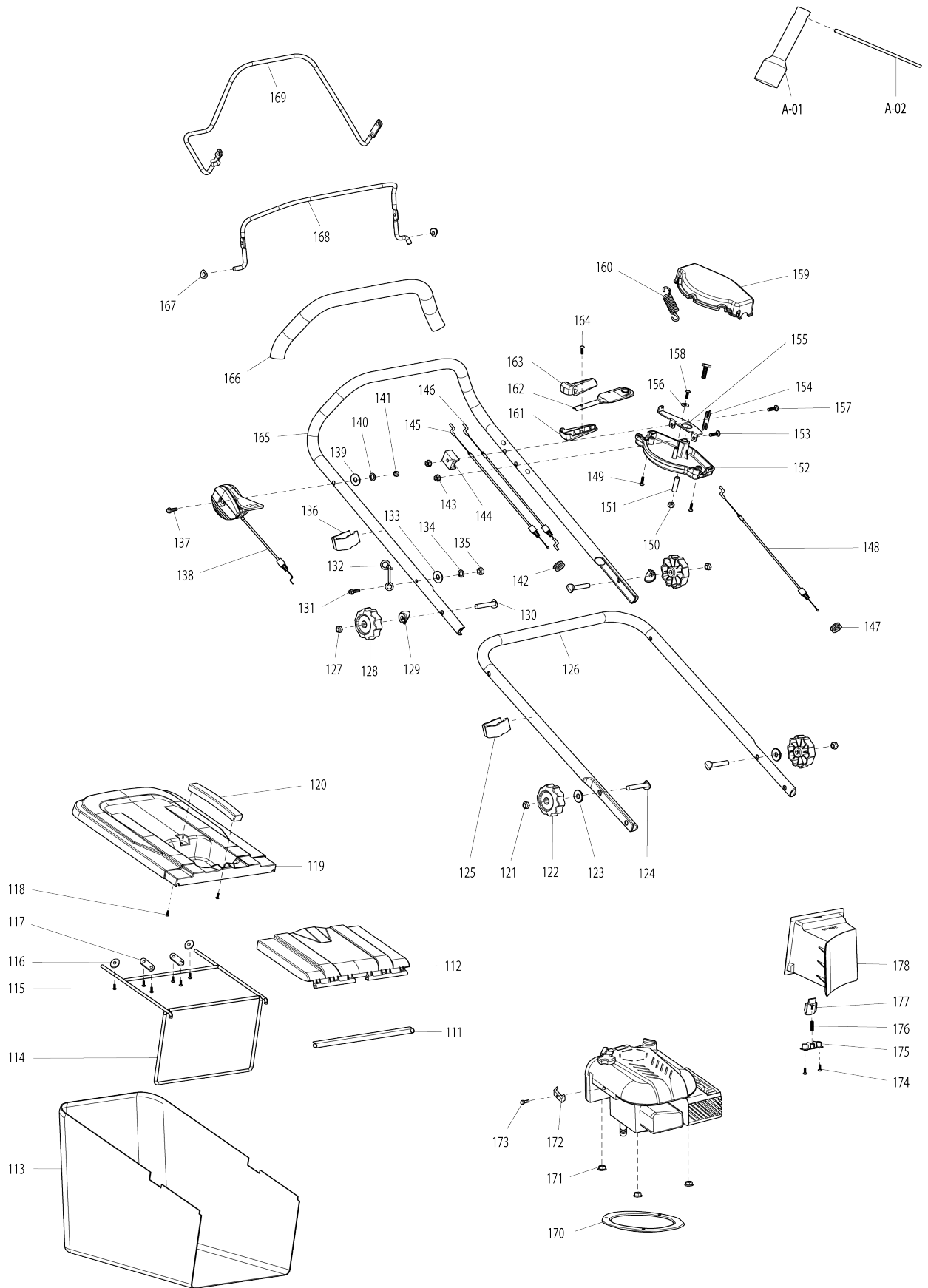


Model No. PLM5113N PETROL LAWN MOWER



Model No. PLM5113N PETROL LAWN MOWER



Model No.PLM5113N PETROL LAWN MOWER

Item No.	Parts No.	Description	Interchangability	Q'ty	New/Old	Note1	Note2
001	671006065	BLADE TIGHTEN BOLT 3/8-24 UNF		1			
002	671010730	DISH SPRING WASHER		1			
003	DA00000973	BLADE 51		1			
004	671015252	INNER FRANGE		1			
005	DA00000535	HIGHT ADJUST SUPPORT SPRING		1			
006	DA00000598	H.S.SET SCREW(FLAT POINT)M6X8		1			
007	671004013	V PULLEY		1			
008	DA00000968	V BELT 10MMX6MM L=885MM		1			
009	671006066	HEX. BOLT M6X25		1			
010	DA00000873	TAPPING SCREW ST4.2X15		2			
011	671005008	NYLON INSERT HEX.LOCK NUT M8		2			
012	671522001	BELT PROTECTING COVER		1			
013	671011136	TORSION SPRING		1			
014	DA00000974	IDLER BRACKET		1			
015	671004017	BEARING 6001RS		1			
016	DA00000537	HEX.FLANGE LOCK NUT M8		1			
017	DA00000543	HEX.FLANGE LOCK NUT M6		1			
018	DA00000617	SPECIAL HEX.BOLT M8X35/M8X17		1			
019	DA00000586	HEX. BOLT M8X35		1			
020	671003024	SPECIAL HEX. BOLT M8X60/M8X17		1			
021	DA00000832	SPRING WASHER 8		3			
022	671007007	FLAT WASHER 8		3			
023	DA00000911	TAPPING SCREW ST4.2X10		8			
024	671513001	FRONT AXLE COVER		1			
025	DA00000536	WHEEL COVER 7 INCH		2			
026	DA00000537	HEX.FLANGE LOCK NUT M8		2			
027	DA00000538	BALL BEARING 6201ZZ		2			
028	671020160	WHEEL ASSY 8 INCH		2			
029	DA00000538	BALL BEARING 6201ZZ		2			
030	671002028	PAN.HED SCREW M6X45		4			
031	671418001	FRONT AXLE MOUNT		2			
032	671001573	FRONT AXLE		1			
033	671445001	FRONT AXLE RETAINER		2			
034	DA00000549	NYLON INSERT HEX.LOCK NUT M6		4			
035	671011142	HEIGHT ADJUST TENSION SPRING		2			
036	671002019	TRUSS HEAD SCREW M6X12		2			
037	DA00000537	HEX.FLANGE LOCK NUT M8		1			
038	DA00000971	BELT TENSIONER BASE		1			
039	DA00000549	NYLON INSERT HEX.LOCK NUT M6		2			
040	671005008	NYLON INSERT HEX.LOCK NUT M8		1			
041	DA00000537	HEX.FLANGE LOCK NUT M8		2			

042	671001533	BELT TENSIONER BRACE PLATE		1		
043	DA00000563	HEXAGON NUT M8		2		
044	671009021	RETAINING RING R-28		3		
045	671004017	BEARING 6001RS		3		
046	671001056	BELT TENSIONER PULLEY		3		
047	671001455	SPEED CONTROL BELT TENSIONER		1		
048	671003042	STEPPED BOLT M8		1		
049	671002019	TRUSS HEAD SCREW M6X12		4		
050	DA00000542	AXLE RETAINER		2		
051	DA00000543	HEX.FLANGE LOCK NUT M6		4		
052	DA00000604	STOP RING E-12		2		
053	DA00000607	SPUR GEAR 14 RIGHT		1		
054	671004017	BEARING 6001RS		2		
055	671002024	DRIVE SHAFT BEARING CASE		2		
056	DA00000597	COLUMN PIN 5X21.5		2		
057	671501031	GEAR ASSY FOR SELF DRIVING		1		
058	DA00000915	GEAR BOX MOUNT ANGLE		1		
059	671007007	FLAT WASHER 8		1		
060	DA00000832	SPRING WASHER 8		1		
061	DA00000562	HEX.FLANGE BOLT M8X16		1		
062	DA00000864	SPRING WASHER 6		1		
063	671002019	TRUSS HEAD SCREW M6X12		1		
064	DA00000605	SPUR GEAR 14 LEFT		1		
065	671001717	GEAR BOX MOUNT FLAT		1		
066	671005011	NYLON INSERT HEX.LOCK NUT M5		2		
067	671011156	SPRING		1		
068	671002038	SHAFT SHEATH		1		
069	DA00000543	HEX.FLANGE LOCK NUT M6		1		
070	671001082	VARIABLE SPEED PULLEY LOWER		1		
071	671010540	VARIABLE SPEED PULLEY UPPER		1		
072	671011122	VARIABLE SPEED PULLEY SPRING		1		
073	671001457	CUP WASHER		1		
074	671009020	RETAINING RING S-19		1		
075	671080040	SPRING WASHER 5		1	*	
075-1	DA00000198	SPRING WASHER 5	O	1		
076	671006123	HEX. BOLT M5X55 LH		1		
077	671011021	SPRING		1		
078	DA00000969	SIDE DISCHARGE OUTLET		1		
079	671514001	SIDE DISCHARGE FLAP COVER		1		
080	671201501	PAN HEAD SCREW M5X10		2		
081	671080040	SPRING WASHER 5		2	*	
081-1	DA00000198	SPRING WASHER 5	O	2		
082	671001571	SIDE FLAP HINGE PLATE		1		
083	671001019	SIDE DISCHARGE FLAP HINGE ROD		1		
084	671111300	SIDE FLAP TORSION SPRING		1		
085	671001322	WHEEL COVER 10 INCH		2		
086	DA00000537	HEX.FLANGE LOCK NUT M8		2		
087	DA00000538	BALL BEARING 6201ZZ		2		
088	671002021	WHEEL ASSY 11 INCH		2		

089	671200010	INTERNAL GEAR		2		
090	DA00000538	BALL BEARING 6201ZZ		2		
091	DA00000603	TAPPING SCREW ST4X16		12		
092	671251800	DUST-PROOF WHEEL COVER		2		
093	671001574	REAR AXLE		1		
094	DA00000612	STOP RING E-19		2		
095	671002030	PAN. HEAD SCREW M6X14		2		
096	671001570	HEIGHT ADJUSTMENT LEVER ASS Y		1		
097	671001031	HANDLE SHEATH		1	*	
097-1	DA00001058	HEIGHT ADJUSTMENT KNOB	O	1		
098	DA00000549	NYLON INSERT HEX.LOCK NUT M 6		2		
099	671002019	TRUSS HEAD SCREW M6X12		2		
100	DA00000788	HEIGHT ADJUSTMENT PLATE		1		
101	DA00000543	HEX.FLANGE LOCK NUT M6		2		
102	DA00000562	HEX.FLANGE BOLT M8X16		4		
103	671001325	RIGHT HANDLE BRACKET BLUE		1		
104	DA00000537	HEX.FLANGE LOCK NUT M8		4		
105	671132602	DECK BLUE		1		
106	DA00000543	HEX.FLANGE LOCK NUT M6		2		
107	671009017	STOP RING E-6		2		
108	671001518	REAR FLAP HINGE ROD		1		
109	671011101	REAR FLAP TORSION SPRING		1		
110	671001324	LEFT HANDLE BRACKET BLUE		1		
111	671001353	GRASS CATCHER FRAME SHEATH		1		
112	671468001	REAR FLAP		1		
113	671144401	GRASS CATCHER CLOTH SET MA KITA		1		
114	671001443	GRASS CATCHER FRAME		1		
115	DA00000888	TAPPING SCREW ST5X12		6		
116	671001436	WASHER 4		2	*	
116-1	DA00000025	WASHER 5	O	2		
117	671001203	RETAINER PLATE		2	*	
117-1	DA00000335	RETAINER PLATE	O	2		
118	671105502	TAPPING SCREW ST5X16		2	*	
118-1	DA00000326	TAPPING SCREW ST5X16	O	2		
119	671521001	GRASS CATCHER UPPER BOARD		1		
120	671454001	GRASS CATCHER HANDLE		1		
121	DA00000563	HEXAGON NUT M8		2		
122	DA00000564	KNOB		2		
123	671007007	FLAT WASHER 8		2		
124	DA00000880	SADDLE HEAD BOLT M8X35		2		
125	671611001	CABLE CLIP		1		
126	671001606	LOWER HANDLE BAR		1		
127	DA00000563	HEXAGON NUT M8		2		
128	DA00000564	KNOB		2		
129	DA00000565	PLASTIC SADDLE WASHER 8		2		
130	DA00000569	SADDLE HEAD BOLT M8X58		2		
131	DA00000577	HEX.FLANGE BOLT M6X35		1		
132	DA00000579	STARTER GRIP HOOK		1		
133	DA00000574	FLAT WASHER 6		1		

134	DA00000864	SPRING WASHER 6		1		
135	DA00000575	HEX.CAP NUT M6		1		
136	671611001	CABLE CLIP		1		
137	671006082	HEX. FLANGE BOLT M6X50		1		
138	671001150	THROTTLE CONTROL BOX ASSY		1		
139	DA00000574	FLAT WASHER 6		1		
140	DA00000864	SPRING WASHER 6		1		
141	DA00000575	HEX.CAP NUT M6		1		
142	671800104	GROMMET		1		
143	DA00000543	HEX.FLANGE LOCK NUT M6		2		
144	DA00000573	OUTER WIRE STOPPER		1		
145	DA00000977	SELF DRIVE CONTROL WIRE ASSY		1		
146	671001151	ENGINE CLUTCH WIRE		1		
147	671800104	GROMMET		1		
148	671001191	DRIVE SPEED ADJUST WIRE ASSY		1		
149	671010630	TAPPING SCREW ST4.2X25		2		
150	DA00000543	HEX.FLANGE LOCK NUT M6		1		
151	671001513	SHEATH		1		
152	671470001	SPEED ADJUSTMENT BOX(LOWER)		1		
153	DA00000577	HEX.FLANGE BOLT M6X35		1		
154	671001511	OUTER WIRE STOPPER PLATE		1		
155	671001514	DRIVE SPEED ADJUST LEVER MOUNT		1		
156	671002075	FLAT WASHER 4		1		
157	671006063	HEX.BOLT M6X40		2		
158	DA00000603	TAPPING SCREW ST4X16		1		
159	671470002	SPEED ADJUSTMENT BOX(UPPER)		1		
160	671011123	EXTENTION SPRING		1		
161	DA00000870	DRIVE SPEED ADJUST GRIP LOWER		1		
162	DA00000972	DRIVE SPEED ADJUST LEVER		1		
163	DA00000869	DRIVE SPEED ADJUST GRIP UPPER		1		
164	DA00000873	TAPPING SCREW ST4.2X15		1		
165	DA00000963	UPPER HANDLE BAR		1		
166	671001029	HANDLE SHEATH		1		
167	671001524	SADDLE WASHER 8		2		
168	DA00000961	ENGINE CLUTCH LEVER		1		
169	DA00000964	SELF DRIVE CONTROL LEVER		1		
170	671144701	ENGINE MOUNT RUBBER RING		1		
171	DA00000537	HEX.FLANGE LOCK NUT M8		3		
172	671010830	OUTER WIRE STOPPER		1		
173	671003012	HEX. BOLT M5X14		1		
174	DA00000603	TAPPING SCREW ST4X16		2		
175	671317001	PRESSING BOARD OF LOCKING		1		
176	671011005	COMPRESSION SPRING		1		
177	671316004	LOCKING BUTTON		1		
178	671509001	MULCHING PLUG BOX		1		
179	DA00000549	NYLON INSERT HEX.LOCK NUT M6		2		
180	671001575	LINK ROD		1		
A01	671001078	BOX WRENCH 21MM		1		

A02	DA00000584	WRENCH HANDLE		1			
-----	------------	---------------	--	---	--	--	--

Please state Parts No. when your order.

Print Date 25/10/2023