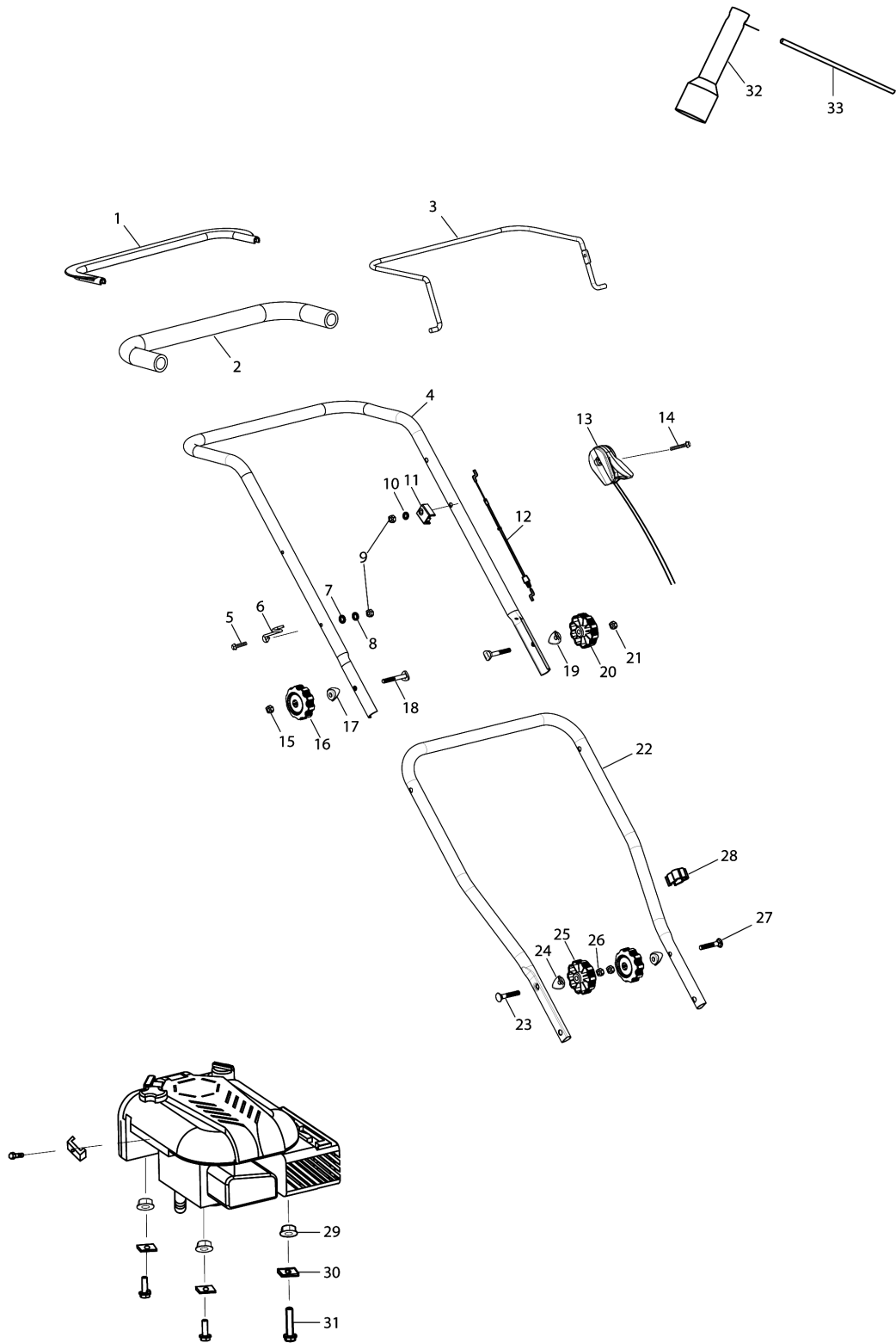
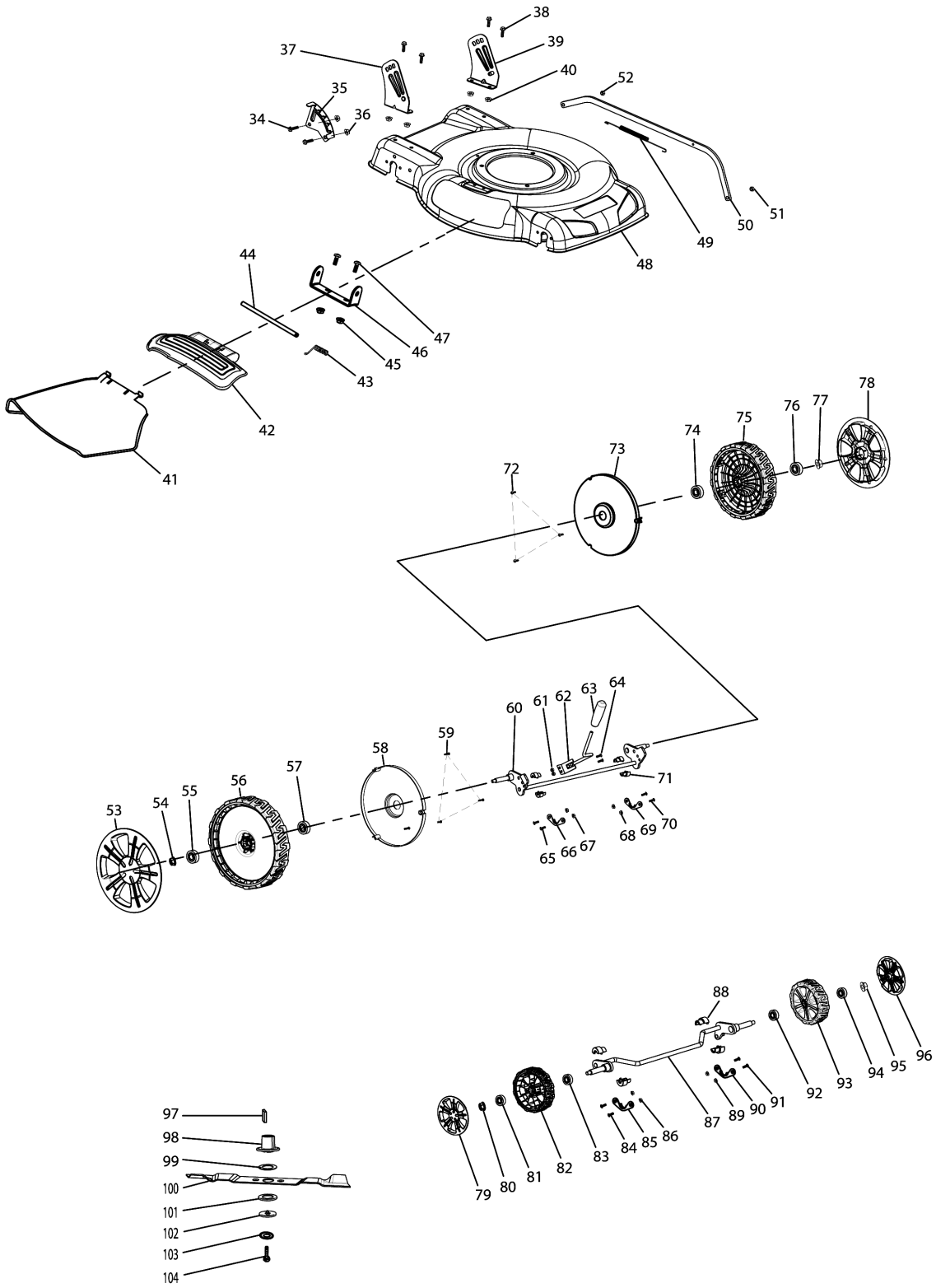


Model No.PLM5120N2 PETROL LAWN MOWER



Model No.PLM5120N2 PETROL LAWN MOWER



Model No.PLM5120N2 PETROL LAWN MOWER

| Item | Parts No.  | Description                | I/C | Qty | New/Old | Opt. 1 | Opt. 2 | Note |
|------|------------|----------------------------|-----|-----|---------|--------|--------|------|
| 001  | 671687001  | LEVER SHEATH               |     | 1   |         |        |        |      |
| 002  | 671103001  | HANDLE SHEATH              |     | 1   |         |        |        |      |
| 003  | DA00001087 | FRAMOUT POLE               |     | 1   |         |        |        |      |
| 004  | 671001836  | UPPER HANDLE BAR           |     | 1   |         |        |        |      |
| 005  | DA00000577 | HEX.FLANGE BOLT M6X35      |     | 1   |         |        |        |      |
| 006  | DA00000579 | STARTER GRIP HOOK          |     | 1   |         |        |        |      |
| 007  | DA00000574 | FLAT WASHER 6              |     | 1   |         |        |        |      |
| 008  | DA00000576 | SPRING WASHER 6            |     | 1   |         |        |        |      |
| 009  | DA00000575 | HEX.CAP NUT M6             |     | 2   |         |        |        |      |
| 010  | DA00000574 | FLAT WASHER 6              |     | 1   |         |        |        |      |
| 011  | DA00000573 | OUTER WIRE STOPPER         |     | 1   |         |        |        |      |
| 012  | DA00001164 | FRAMOUT CABLE              |     | 1   |         |        |        |      |
| 013  | DA00001165 | THROTTLE ASS'Y             |     | 1   |         |        |        |      |
| 014  | DA00000572 | HEX.FLANGE BOLT M6X55      |     | 1   |         |        |        |      |
| 015  | DA00000563 | HEXAGON NUT M8             |     | 1   |         |        |        |      |
| 016  | DA00000564 | KNOB                       |     | 1   |         |        |        |      |
| 017  | DA00000924 | PLASTIC SADDLE WASHER 8    |     | 1   |         |        |        |      |
| 018  | DA00000569 | SADDLE HEAD BOLT M8X58     |     | 2   |         |        |        |      |
| 019  | DA00000924 | PLASTIC SADDLE WASHER 8    |     | 1   |         |        |        |      |
| 020  | DA00000564 | KNOB                       |     | 1   |         |        |        |      |
| 021  | DA00000563 | HEXAGON NUT M8             |     | 1   |         |        |        |      |
| 022  | DA00000948 | LOWER HANDLE               |     | 1   |         |        |        |      |
| 023  | DA00000566 | BOLT M8X40                 |     | 1   |         |        |        |      |
| 024  | DA00000924 | PLASTIC SADDLE WASHER 8    |     | 2   |         |        |        |      |
| 025  | DA00000564 | KNOB                       |     | 2   |         |        |        |      |
| 026  | DA00000563 | HEXAGON NUT M8             |     | 2   |         |        |        |      |
| 027  | DA00000566 | BOLT M8X40                 |     | 1   |         |        |        |      |
| 028  | DA00001163 | CABLE CLAMP                |     | 1   |         |        |        |      |
| 029  | DA00000537 | HEX.FLANGE LOCK NUT M8     |     | 3   |         |        |        |      |
| 030  | DA00000582 | SQUARE WASHER 8            |     | 3   |         |        |        |      |
| 031  | DA00000586 | HEX. BOLT M8X35            |     | 3   |         |        |        |      |
| 032  | DA00000583 | BOX WRENCH 16MM            |     | 1   |         |        |        |      |
| 033  | DA00000584 | WRENCH HANDLE              |     | 1   |         |        |        |      |
| 034  | DA00000562 | HEX.FLANGE BOLT M8X16      |     | 2   |         |        |        |      |
| 035  | 671001710  | HEIGHT ADJUSTER STOP PLATE |     | 1   |         |        |        |      |
| 036  | DA00000537 | HEX.FLANGE LOCK NUT M8     |     | 2   |         |        |        |      |
| 037  | DA00000588 | RIGHT HANDLE BRACKET BLUE  |     | 1   |         |        |        |      |
| 038  | DA00000562 | HEX.FLANGE BOLT M8X16      |     | 4   |         |        |        |      |
| 039  | DA00000587 | LEFT HANDLE BRACKET BLUE   |     | 1   |         |        |        |      |
| 040  | DA00000537 | HEX.FLANGE LOCK NUT M8     |     | 4   |         |        |        |      |
| 041  | DA00000560 | SIDE DISCHARGE PROTECTING  |     | 1   |         |        |        |      |
| 042  | DA00000559 | SIDE DISCHARGE FLAP COVER  |     | 1   |         |        |        |      |
| 043  | DA00000556 | SIDE FLAP TORSION SPRING   |     | 1   |         |        |        |      |

Please order the parts with part number.

Print Date 26/10/2023

Model No.PLM5120N2 PETROL LAWN MOWER

| Item | Parts No.  | Description                   | I/C | Qty | New/Old | Opt. 1 | Opt. 2 | Note |
|------|------------|-------------------------------|-----|-----|---------|--------|--------|------|
| 044  | DA00000558 | SIDE DISCHARGE FLAP HINGE ROD |     | 1   |         |        |        |      |
| 045  | DA00000543 | HEX.FLANGE LOCK NUT M6        |     | 2   |         |        |        |      |
| 046  | DA00000555 | SIDE FLAP HINGE PLATE         |     | 1   |         |        |        |      |
| 047  | DA00000552 | TRUSS HEAD SCREW M6X16        |     | 2   |         |        |        |      |
| 048  | 671015240  | DECK BLUE                     |     | 1   |         |        |        |      |
| 049  | DA00000546 | CONNECTION ROD SPRING         |     | 1   |         |        |        |      |
| 050  | DA00001162 | CONNECTION ROD                |     | 1   |         |        |        |      |
| 051  | DA00000549 | NYLON INSERT HEX.LOCK NUT M6  |     | 1   |         |        |        |      |
| 052  | DA00000549 | NYLON INSERT HEX.LOCK NUT M6  |     | 1   |         |        |        |      |
| 053  | 671001322  | WHEEL COVER 10 INCH           |     | 1   |         |        |        |      |
| 054  | DA00000537 | HEX.FLANGE LOCK NUT M8        |     | 1   |         |        |        |      |
| 055  | DA00000538 | BALL BEARING 6201ZZ           |     | 1   |         |        |        |      |
| 056  | 671002021  | WHEEL ASSY 11 INCH            |     | 1   |         |        |        |      |
| 057  | DA00000538 | BALL BEARING 6201ZZ           |     | 1   |         |        |        |      |
| 058  | 671666001  | INSIDE WHEEL COVER 10 INCH    |     | 1   |         |        |        |      |
| 059  | DA00000603 | TAPPING SCREW ST4X16          |     | 3   |         |        |        |      |
| 060  | 671001828  | REAR AXLE                     |     | 1   |         |        |        |      |
| 061  | DA00000549 | NYLON INSERT HEX.LOCK NUT M6  |     | 2   |         |        |        |      |
| 062  | 671001707  | HANDLE                        |     | 1   |         |        |        |      |
| 063  | DA00001058 | HEIGHT ADJUSTMENT KNOB        |     | 1   |         |        |        |      |
| 064  | 671002030  | PAN. HEAD SCREW M6X14         |     | 2   |         |        |        |      |
| 065  | 671002019  | TRUSS HEAD SCREW M6X12        |     | 2   |         |        |        |      |
| 066  | DA00000542 | BEARING CASE RETAINER         |     | 1   |         |        |        |      |
| 067  | DA00000543 | HEX.FLANGE LOCK NUT M6        |     | 2   |         |        |        |      |
| 068  | DA00000543 | HEX.FLANGE LOCK NUT M6        |     | 2   |         |        |        |      |
| 069  | DA00000542 | BEARING CASE RETAINER         |     | 1   |         |        |        |      |
| 070  | 671002019  | TRUSS HEAD SCREW M6X12        |     | 2   |         |        |        |      |
| 071  | DA00000545 | AXLE MOUNT                    |     | 4   |         |        |        |      |
| 072  | DA00000603 | TAPPING SCREW ST4X16          |     | 3   |         |        |        |      |
| 073  | 671666001  | INSIDE WHEEL COVER 10 INCH    |     | 1   |         |        |        |      |
| 074  | DA00000538 | BALL BEARING 6201ZZ           |     | 1   |         |        |        |      |
| 075  | 671002021  | WHEEL ASSY 11 INCH            |     | 1   |         |        |        |      |
| 076  | DA00000538 | BALL BEARING 6201ZZ           |     | 1   |         |        |        |      |
| 077  | DA00000537 | HEX.FLANGE LOCK NUT M8        |     | 1   |         |        |        |      |
| 078  | 671001322  | WHEEL COVER 10 INCH           |     | 1   |         |        |        |      |
| 079  | DA00000536 | WHEEL COVER 7 INCH            |     | 1   |         |        |        |      |
| 080  | DA00000537 | HEX.FLANGE LOCK NUT M8        |     | 1   |         |        |        |      |
| 081  | DA00000538 | BALL BEARING 6201ZZ           |     | 1   |         |        |        |      |
| 082  | 671020160  | WHEEL ASSY 8 INCH             |     | 1   |         |        |        |      |
| 083  | DA00000538 | BALL BEARING 6201ZZ           |     | 1   |         |        |        |      |
| 084  | 671002019  | TRUSS HEAD SCREW M6X12        |     | 2   |         |        |        |      |
| 085  | DA00000542 | BEARING CASE RETAINER         |     | 1   |         |        |        |      |
| 086  | DA00000543 | HEX.FLANGE LOCK NUT M6        |     | 2   |         |        |        |      |
| 087  | 671001811  | FRONT AXLE                    |     | 1   |         |        |        |      |

Please order the parts with part number.

Print Date 26/10/2023

Model No.PLM5120N2 PETROL LAWN MOWER

| Item | Parts No.  | Description                   | I/C | Qty | New/Old | Opt. 1 | Opt. 2 | Note |
|------|------------|-------------------------------|-----|-----|---------|--------|--------|------|
| 088  | DA00000545 | AXLE MOUNT                    |     | 4   |         |        |        |      |
| 089  | DA00000543 | HEX.FLANGE LOCK NUT M6        |     | 2   |         |        |        |      |
| 090  | DA00000542 | BEARING CASE RETAINER         |     | 1   |         |        |        |      |
| 091  | 671002019  | TRUSS HEAD SCREW M6X12        |     | 2   |         |        |        |      |
| 092  | DA00000538 | BALL BEARING 6201ZZ           |     | 1   |         |        |        |      |
| 093  | 671020160  | WHEEL ASSY 8 INCH             |     | 1   |         |        |        |      |
| 094  | DA00000538 | BALL BEARING 6201ZZ           |     | 1   |         |        |        |      |
| 095  | DA00000537 | HEX.FLANGE LOCK NUT M8        |     | 1   |         |        |        |      |
| 096  | DA00000536 | WHEEL COVER 7 INCH            |     | 1   |         |        |        |      |
| 097  | 671090018  | FLAT KEY                      |     | 1   |         |        |        |      |
| 098  | 671002051  | INNER FRANGE                  |     | 1   |         |        |        |      |
| 099  | DA00000533 | NYLON FLAT WASHER 32          |     | 1   |         |        |        |      |
| 100  | DA00000944 | BLADE 51                      |     | 1   |         |        |        |      |
| 101  | DA00000531 | NYLON CUP WASHER 32           |     | 1   |         |        |        |      |
| 102  | DA00000530 | OUTER FRANGE                  |     | 1   |         |        |        |      |
| 103  | DA00000529 | DISH SPRING WASHER 10         |     | 1   |         |        |        |      |
| 104  | DA00000528 | BLADE TIGHTEN BOLT 3/8-24 UNF |     | 1   |         |        |        |      |

Please order the parts with part number.

Print Date 26/10/2023