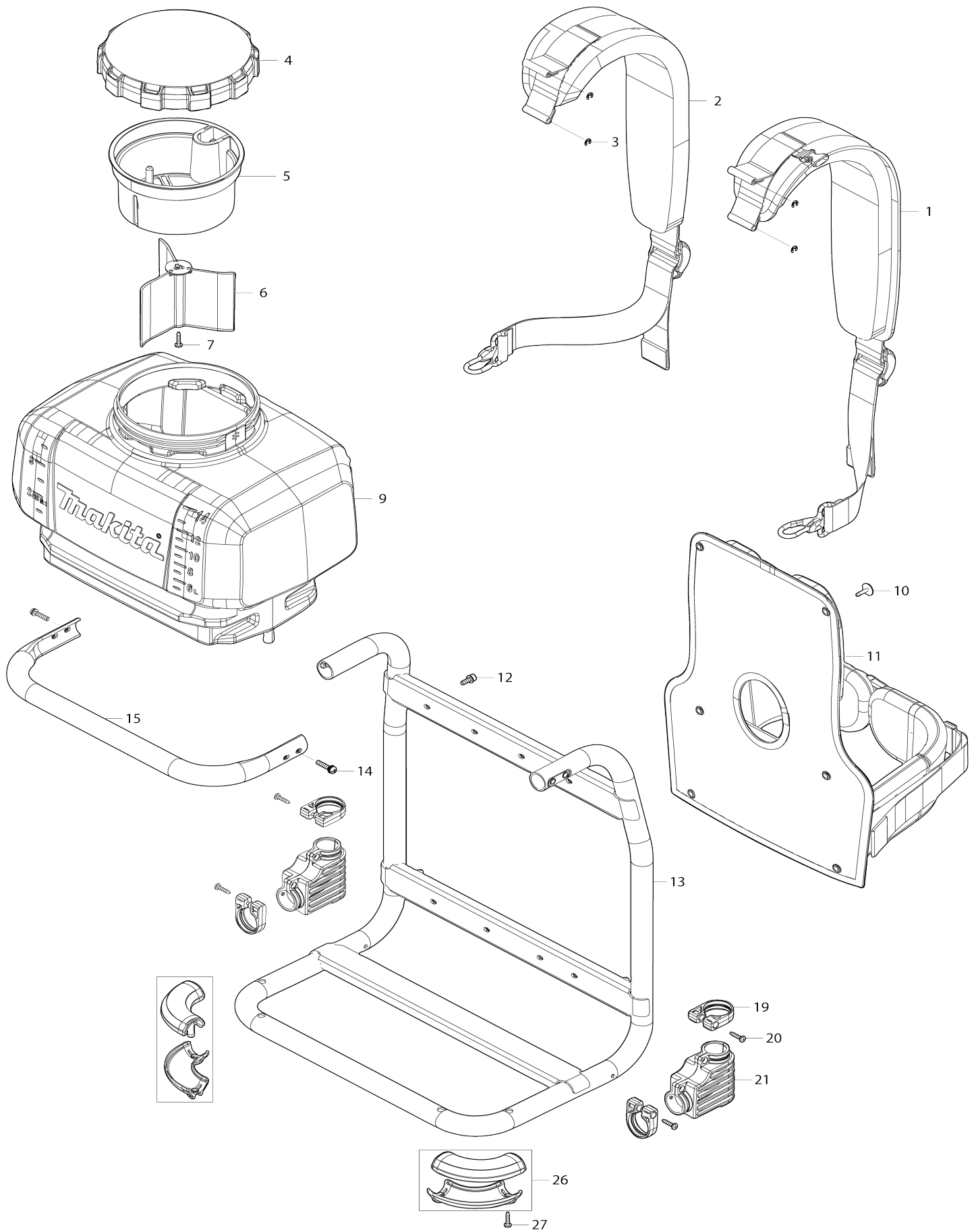
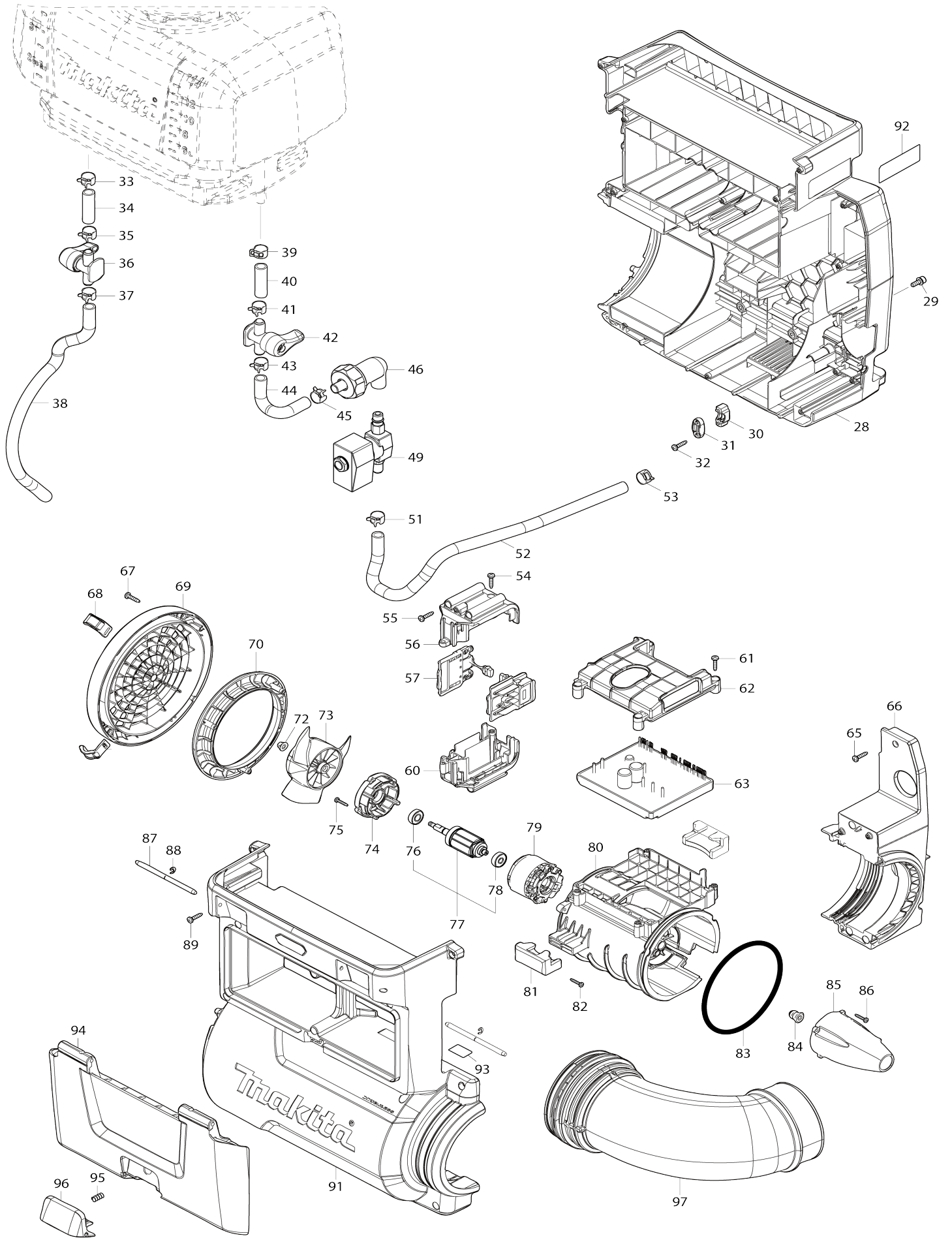


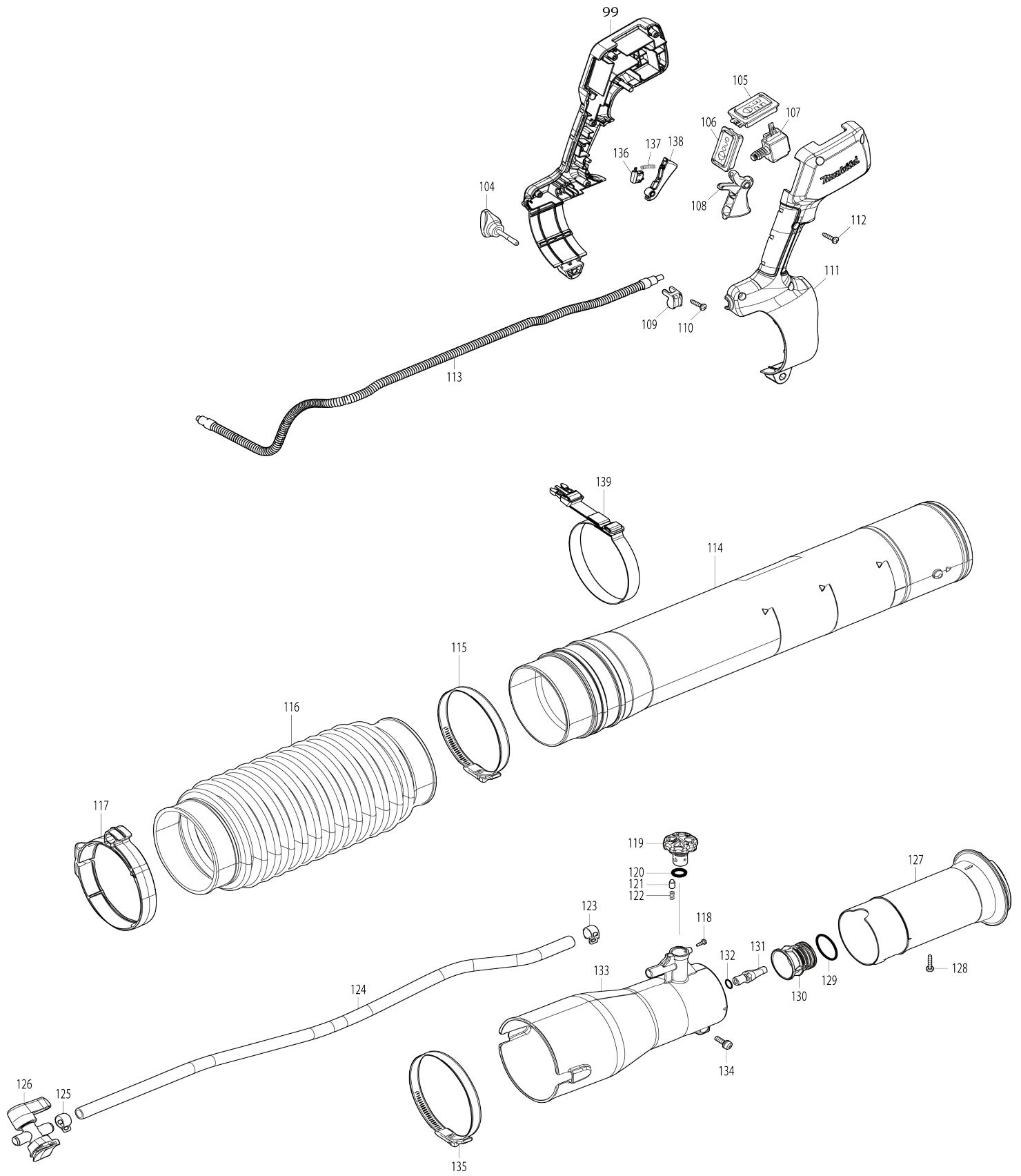
Model No.PM001G CORDLESS BACKPACK MIST BLOWER



Model No.PM001G CORDLESS BACKPACK MIST BLOWER



Model No. PM001G CORDLESS BACKPACK MIST BLOWER



Model No.PM001G CORDLESS BACKPACK MIST BLOWER

Item No.	Parts No.	Description	Interchangability	Q'ty	New/Old	Note1	Note2
001	162C47-1	BAND R		1			
002	162C46-3	BAND L		1			
003	961011-9	STOP RING E-4		4			
004	141764-8	TANK CAP COMPLETE		1			
005	413M64-7	TANK STRAINER		1			
006	413M65-5	STRAINER FIN		1			
007	266326-2	TAPPING SCREW 4X18		1			
009	136980-5	TANK ASS'Y		1			
C10	422978-1	UMBRELLA CHECK VALVE		1			
C20	256A28-4	ROD 5		4			
010	252274-1	TAPPING SCREW 4X18 WITH W		6			
011	162B58-0	CUSHION COMPLETE		1	*		
011-1	162D10-0	CUSHION COMPLETE	O	1			
012	922218-2	H.S.H.BOLT M5X14 WITH WR		8			
013	327A95-7	PIPE FRAME A		1			
014	265A08-9	PAN HEAD SCREW M5X20		4	*		
014-1	266963-2	PAN HEAD SCREW M5X20 WITH WR	O	4			
015	327A96-5	PIPE FRAME B		1			
019	413K11-6	RUBBER CLAMP		4			
020	266326-2	TAPPING SCREW 4X18		4			
021	422977-3	FOOT HOUSING RUBBER		2			
026	183X85-6	FOOT HOUSING SET		2			
027	266326-2	TAPPING SCREW 4X18		4			
028	141M69-4	LOWER HOUSING COMPLETE B		1			
C10	8066X9-2	CAUTION LABEL		1			
029	922218-2	H.S.H.BOLT M5X14 WITH WR		2			
030	687051-6	STRAIN RELIEF		1			
031	687124-5	STRAIN RELIEF		1			
032	266326-2	TAPPING SCREW 4X18		2			
033	282023-2	HOSE CLAMP 14		1			
034	422981-2	TUBE 10-45		1			
035	282023-2	HOSE CLAMP 14		1			
036	122D52-6	COCK ASSEMBLY A		1			
C10	266326-2	TAPPING SCREW 4X18		1			
C20	457675-0	COCK LEVER		1			
037	282023-2	HOSE CLAMP 14		1			
038	422982-0	TUBE 10-370		1			
039	282023-2	HOSE CLAMP 14		1			
040	422981-2	TUBE 10-45		1			
041	282023-2	HOSE CLAMP 14		1			
042	122D52-6	COCK ASSEMBLY A		1			
C10	266326-2	TAPPING SCREW 4X18		1			
C20	457675-0	COCK LEVER		1			
043	282023-2	HOSE CLAMP 14		1			
044	422980-4	TUBE 10-100		1			
045	282023-2	HOSE CLAMP 14		1			
046	122E16-6	STRAINER ASSEMBLY		1			

C10	413M62-1	STRAINER		1		
049	136985-5	SOLENOID VALVE ASS'Y		1		
C10	213063-9	O RING 10		1		
051	282023-2	HOSE CLAMP 14		1		
052	422983-8	TUBE 10-500		1		
053	282023-2	HOSE CLAMP 14		1		
054	266326-2	TAPPING SCREW 4X18		2		
055	266326-2	TAPPING SCREW 4X18		4		
056	183Y74-7	TERMINAL BOX SET		1		
C10	263005-3	RUBBER PIN 6		4		
D10		INC. 60				
057	632P65-6	TERMINAL UNIT		2		
060	183Y74-7	TERMINAL BOX SET		1		
C10	263005-3	RUBBER PIN 6		4		
D10		INC. 56				
061	266326-2	TAPPING SCREW 4X18		4		
062	413M52-4	CONTROLLER CASE COVER		1		
063	620K75-5	CONTROLLER		1		
065	266326-2	TAPPING SCREW 4X18		4		
066	413M43-5	ELBOW SUPPORT		1		
067	266326-2	TAPPING SCREW 4X18		4		
068	413M58-2	CLAMP		2		
069	413G61-7	REAR COVER		1		
070	413G72-2	FAN GUIDE		1		
072	252286-4	COLLARED HEX.LOCK NUT M5-8		1		
073	240177-1	FAN 110		1		
074	413G67-5	MOTOR HOUSING COVER		1		
075	266130-9	TAPPING SCREW BIND PT 3X16		4		
076	210040-2	BALL BEARING 698LLU		1		
077	519639-3	ROTOR ASS'Y		1	*	
D10		INC. 76,78				
077-1	519639-3	ROTOR ASS'Y	O	1		
D10		INC. 76,78				
078	210022-4	BALL BEARING 626DDW		1		
079	629C09-7	STATOR		1		
080	413M44-3	MOTOR HOUSING		1		
081	422877-7	RUBBER CUSHION		2		
082	266130-9	TAPPING SCREW BIND PT 3X16		3		
083	424721-4	RUBBER RING 115		1		
084	422879-3	GROMMET		1		
085	413G64-1	CAP		1		
086	266130-9	TAPPING SCREW BIND PT 3X16		3		
087	256938-9	ROD 5		2		
088	961011-9	STOP RING E-4		2		
089	266326-2	TAPPING SCREW 4X18		12		
091	136912-2	UPPER HOUSING ASSEMBLY		1		
C10	8030S0-0	XGT LOGO LABEL		1		
092	8587F3-0	PM001G NAME PLATE		1		
093	8587G1-1	PM001G SERIAL NO. LABEL		1		
094	413M54-0	BATTERY COVER		1		
095	231240-1	COMPRESSION SPRING 7		1		

096	413M55-8	LOCK LEVER		1		
097	413M51-6	ELBOW		1		
099	183X87-2	LEVER CASE SET		1		
C10	252103-8	HEX. LOCK NUT M5-8		1		
D10		INC. 111				
104	265C61-7	THUMB SCREW M5X35		1		
105	620L36-1	INDICATION CIRCUIT COMPLETE		1		
106	620L35-3	SWITCH CIRCUIT COMPLETE		1		
C10	136982-1	SWITCH PLATE ASS'Y		1		
C20	266490-9	TAPPING SCREW PT 2X6		3		
107	651492-2	SWITCH C3JR-1A-PAXD3		1		
108	413G68-3	SWITCH LEVER		1		
109	687260-7	STRAIN RELIEF		1		
110	266326-2	TAPPING SCREW 4X18		1		
111	183X87-2	LEVER CASE SET		1		
C10	252103-8	HEX. LOCK NUT M5-8		1		
D10		INC. 99				
112	266326-2	TAPPING SCREW 4X18		6		
113	699220-7	POWER SUPPLY CORD UNI		1		
114	162B56-4	SWIVEL PIPE COMPLETE		1		
115	281040-9	HOSE CLAMP 110		1		
116	413M50-8	FLEXIBLE PIPE 100		1		
117	122F35-8	HOSE CLAMP 110 ASSEMBLY		1		
C10	252103-8	HEX. LOCK NUT M5-8		1		
C20	911258-5	PAN HEAD SCREW M5X35		1		
118	266007-8	TAPPING SCREW BIND PT 3X10		1		
119	453505-3	NOZZLE CAP		1		
120	213686-3	O-RING 12		1		
121	268288-0	PIN 5.5		1		
122	234244-2	COMPRESSION SPRING 3		1		
123	282023-2	HOSE CLAMP 14		1		
124	422984-6	TUBE 10-750		1		
125	282023-2	HOSE CLAMP 14		1		
126	122D53-4	COCK ASSEMBLY B		1		
C10	266326-2	TAPPING SCREW 4X18		1		
C20	457675-0	COCK LEVER		1		
127	413M66-3	TOP ADAPTER		1		
128	266045-0	TAPPING SCREW 4X20		1		
129	213437-4	O RING 28		1		
130	413M59-0	SLEEVE 23		1		
131	327A93-1	NOZZLE 4.5		1		
132	213647-3	O-RING 9		1		
133	141M72-5	NOZZLE ADAPTER COMPLETE		1		
C10	898280-8	INDICATION LABEL		1		
134	911228-4	PAN HEAD SCREW M5X18		1		
135	281040-9	HOSE CLAMP 110		1		
136	632L49-0	SWITCH UNIT		1		
137	233101-1	COMPRESSION SPRING 4		1		
138	413M49-3	ACTIVATE LEVER		1		
139	162B60-3	BAND B COMPLETE		1		
A01	327C46-2	NOZZLE 0.5		1		
A02	453506-1	DIFFUSION COVER		1		

A03	781006-4	WRENCH 13		1	*		
A03-1	781039-9	WRENCH 13	O	1			
E01	688161-2	LINE FILTER		1			
E02	688163-8	LINE FILTER		1			

Please state Parts No. when your order.

Print Date 03/14/2024