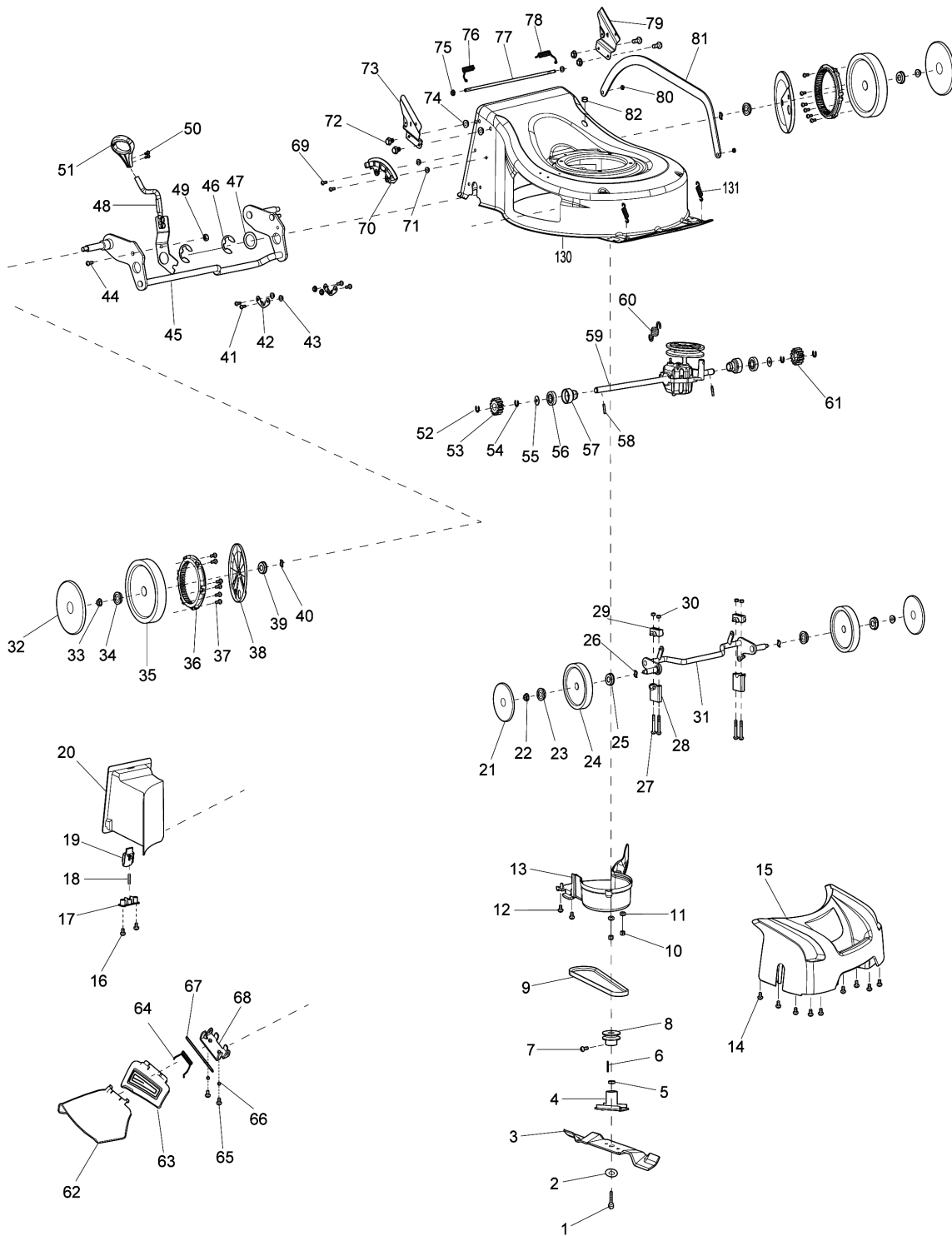
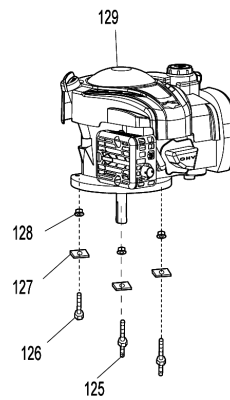
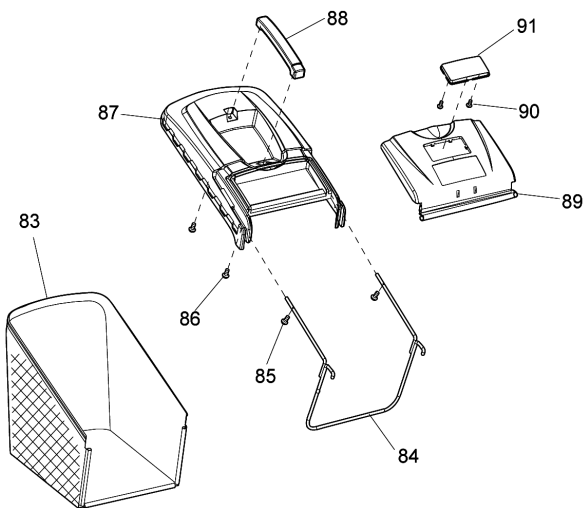
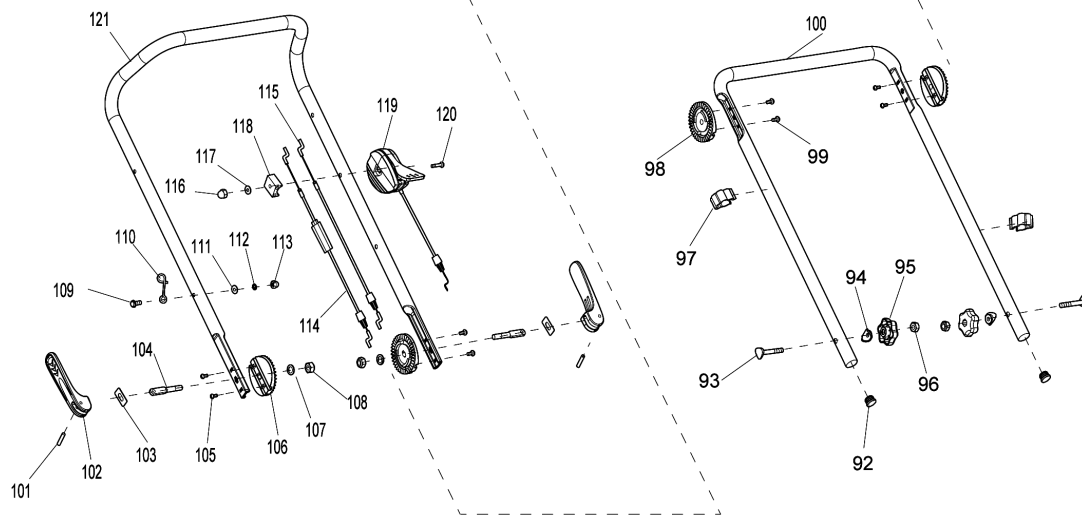
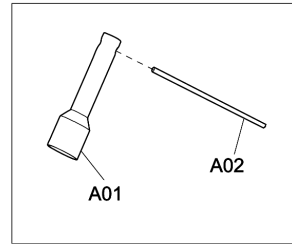
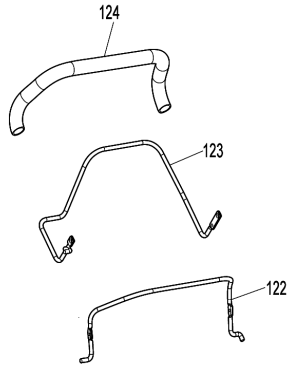


Model No.PM46SBC PETROL LAWN MOWER



Model No.PM46SBC PETROL LAWN MOWER



Model No.PM46SBC PETROL LAWN MOWER

Item	Parts No.	Description	I/C	Qty	New/Old	Opt. 1	Opt. 2	Note
001	DA00000528	BLADE TIGHTEN BOLT 3/8-24 UNF		1				
002	671010730	DISH SPRING WASHER		1				
003	671001451	BLADE 46		1	*			
003-1	DA00001274	BLADE 46	<	1				
004	671002448	INNER FRANGE		1				
005	671002092	BLADE SUPPORT BUSH		1				
006	671090077	FLAT KEY		1				
007	DA00000598	H.S.SET SCREW(FLAT POINT)M6X8		1				
008	671004002	V PULLEY		1				
009	671012720	V BELT 10MMX6MM L=762MM		1				
010	671005008	NYLON INSERT HEX.LOCK NUT M8		2				
011	671007007	FLAT WASHER 8		2				
012	671001037	TRUSS HEAD TAPPING SCREW 5X16		2				
013	671580010	UNDER COVER		1				
014	671001037	TRUSS HEAD TAPPING SCREW 5X16		9				
015	671536001	FRONT AXLE COVER		1				
016	671107301	SELF-TAPPING SCREW ST4*16		2				
017	671317001	PRESSING BOARD OF LOCKING		1				
018	671011005	COMPRESSION SPRING		1				
019	671316004	LOCKING BUTTON		1				
020	671326001	MULCHING PLUG BOX		1				
021	671105103	WHEEL COVER 7 INCH		2				
022	DA00000537	HEX.FLANGE LOCK NUT M8		2				
023	671040160	FLANGED WHEEL BEARING 1/2 INCH		2				
024	671204301	WHEEL ASSY 8 INCH		2				
025	671040160	FLANGED WHEEL BEARING 1/2 INCH		2				
026	671007062	WAVE WASHER 12		2				
027	671006119	HEX. FRANGE BOLT M6X60		4				
028	671376001	FRONT AXLE MOUNT		2				
029	671376002	FRONT AXLE RETAINER		2				
030	DA00000549	NYLON INSERT HEX.LOCK NUT M6		4				
031	671001374	FRONT AXLE		1				
032	671010530	WHEEL COVER 10 INCH		2				
033	DA00000537	HEX.FLANGE LOCK NUT M8		2				
034	671040160	FLANGED WHEEL BEARING 1/2 INCH		2				
035	671020440	WHEEL ASSY 11 INCH		2				
036	671295001	INTERNAL GEAR		2				
037	671107301	SELF-TAPPING SCREW ST4*16		12				
038	671087001	REAR WHEEL DUST-PROOF COVER		2				
039	671040160	FLANGED WHEEL BEARING 1/2 INCH		2				

Please order the parts with part number.

Print Date 15/11/2023

Model No.PM46SBC PETROL LAWN MOWER

Item	Parts No.	Description	I/C	Qty	New/Old	Opt. 1	Opt. 2	Note
040	671007062	WAVE WASHER 12		2				
041	671002019	TRUSS HEAD SCREW M6X12		4				
042	DA00000542	AXLE RETAINER		2				
043	DA00000543	HEX.FLANGE LOCK NUT M6		4				
044	671002030	PAN. HEAD SCREW M6X14		1				
045	671001372	REAR AXLE		1				
046	DA00000612	STOP RING E-19		2				
047	671001076	SPRING WASHER 7/8 INCH		1				
048	DA00000904	HEIGHT ADJUSTMENT LEVER		1				
049	DA00000549	NYLON INSERT HEX.LOCK NUT M6		1				
050	671003033	COUNTERSUNK HEAD SCREW M5X8		2				
051	671010590	HEIGHT ADJUSTMENT LEVER GRIP		1				
052	DA00000604	STOP RING E-12		2				
053	DA00000607	SPUR GEAR 14 RIGHT		1				
054	DA00000604	STOP RING E-12		2				
055	DA00000608	FLAT WASHER 1/2 INCH		2				
056	DA00000609	BEARING		2				
057	671002031	DRIVE SHAFT BEARING CASE		2				
058	DA00000597	COLUMN PIN 5X21.5		2				
059	671501028	GEAR ASSY FOR SELF DRIVING		1				
060	671011174	SPRING OF GEAR BOX		1				
061	DA00000605	SPUR GEAR 14 LEFT		1				
062	671381001	SIDE DISCHARGE OUTLET		1				
063	671380001	SIDE DISCHARGE FLAP COVER		1				
064	671111300	SIDE FLAP TORSION SPRING		1				
065	671201501	PAN HEAD SCREW M5X10		2				
066	671080040	SPRING WASHER 5		2	*			
066-1	DA00000198	SPRING WASHER 5	O	2				
067	671001019	SIDE DISCHARGE FLAP HINGE ROD		1				
068	671021830	FIXED BOARD OF SIDE DISCHARGE		1				
069	671002019	TRUSS HEAD SCREW M6X12		2				
070	DA00000898	HEIGHT ADJUSTMENT PLATE		1				
071	DA00000543	HEX.FLANGE LOCK NUT M6		2				
072	DA00000562	HEX.FLANGE BOLT M8X16		4				
073	671001753	RIGHT HANDLE BRACKET RED		1				
074	DA00000537	HEX.FLANGE LOCK NUT M8		4				
075	DA00000543	HEX.FLANGE LOCK NUT M6		2				
076	671011113	REAR FLAP TORSION SPRING R		1				
077	671001366	REAR FLAP HINGE ROD		1				
078	671011114	REAR FLAP TORSION SPRING L		1				
079	671001752	LEFT HANDLE BRACKET RED		1				

Please order the parts with part number.

Print Date 15/11/2023

Model No.PM46SBC PETROL LAWN MOWER

Item	Parts No.	Description	I/C	Qty	New/Old	Opt. 1	Opt. 2	Note
080	DA00000549	NYLON INSERT HEX.LOCK NUT M6		2				
081	671001377	LINK ROD		1				
082	671800104	GROMMET		1				
083	671013784	GRASS CATCH SIDE CLOSS SET DOL		1				
084	671001381	GRASS CATCHER FRAME		1				
085	671001032	TAPPING SCREW ST4.2X18		2				
086	DA00000614	TAPPING SCREW ST4.8X19		2				
087	671382001	GRASS CATCHER UPPER BORAD		1				
088	671384001	GRASS CATCHER HANDLE		1				
089	671004272	REAR FLAP		1				
090	671010710	TAPPING SCREW ST4X12		2				
091	671385001	GRASS LEVEL INSPECTION WINDOW		1				
092	DA00000900	PIPE END CAP 19		2				
093	671006004	FLAT HEAD BOLT M8X58		2				
094	DA00000565	PLASTIC SADDLE WASHER 8		2				
095	671365005	KNOB OF LOWER HANDLE		2				
096	DA00000563	HEXAGON NUT M8		2				
097	671611001	CABLE CLIP		2				
098	671055001	ANGLE ADJUSTMENT JOINT LOWER		2				
099	DA00000860	SELF-TAPPING SCREW ST3X10		4				
100	671001804	LOWER HANDLE BAR		1				
101	671090048	PIN 5X20		2				
102	671364005	TENSION LEVER		2				
103	671001119	RETAINER PLATE		2				
104	671001301	TENSION BOLT M8		2				
105	DA00000860	SELF-TAPPING SCREW ST3X10		4				
106	671054001	ANGLE ADJUSTMENT JOINT UPPER		2				
107	671011890	FLAT WASHER 8		2				
108	671005008	NYLON INSERT HEX.LOCK NUT M8		2				
109	DA00000577	HEX.FLANGE BOLT M6X35		1				
110	DA00000579	STARTER GRIP HOOK		1				
111	DA00000574	FLAT WASHER 6		1				
112	DA00000864	SPRING WASHER 6		1	*			
112-1	DA00000576	SPRING WASHER 6	O	1				
113	DA00000575	HEX.CAP NUT M6		1				
114	671001258	ENGINE CLUTCH WIRE ASSY		1				
115	671001222	SELF DRIVE CONTROL WIRE ASSY		1				
116	DA00000575	HEX.CAP NUT M6		1				
117	DA00000574	FLAT WASHER 6		1				
118	DA00000573	OUTER WIRE STOPPER		1				
119	671013260	THROTTLE CONTROL BOX ASSY		1				

Please order the parts with part number.

Print Date 15/11/2023

Model No.PM46SBC PETROL LAWN MOWER

Item	Parts No.	Description	I/C	Qty	New/Old	Opt. 1	Opt. 2	Note
120	DA00000572	HEX.FLANGE BOLT M6X55		1				
121	671017970	UPPER HANDLE BAR		1				
122	671017580	ENGINE CLUTCH LEVER		1				
123	671001732	SELF DRIVE CONTROL LEVER		1				
124	671001029	HANDLE SHEATH		1				
125	DA00000617	SPECIAL HEX.BOLT M8X35/M8X17		2				
126	DA00000586	HEX. BOLT M8X35		1				
127	DA00000582	SQUARE WASHER 8		3				
128	DA00000537	HEX.FLANGE LOCK NUT M8		3				
130	671001749	DECK RED		1				
131	DA00000897	HEIGHT ADJUST TENSION SPRING		2				
A01	DA00000583	BOX WRENCH 16MM		1				
A02	DA00000584	WRENCH HANDLE		1				

Please order the parts with part number.

Print Date 15/11/2023