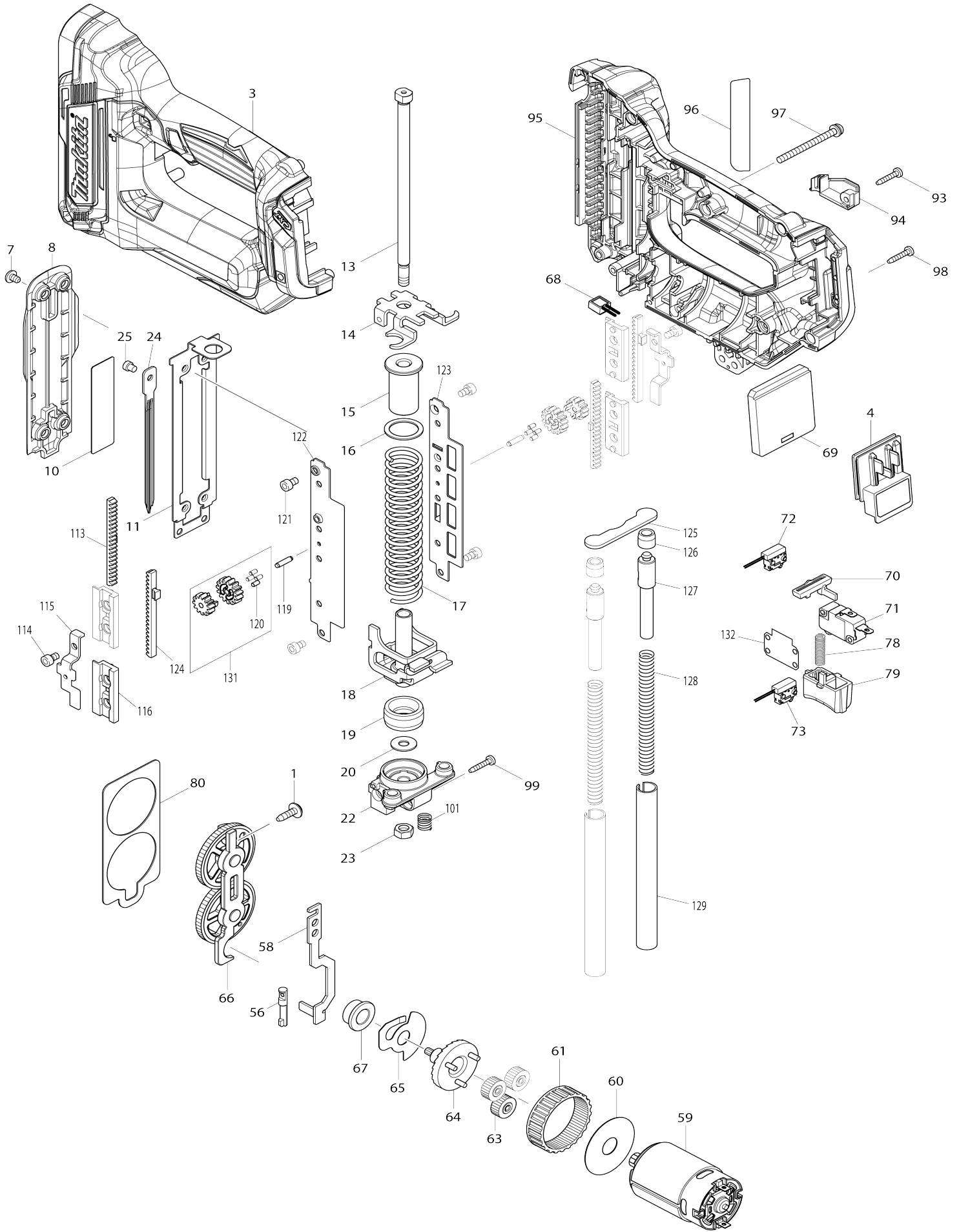
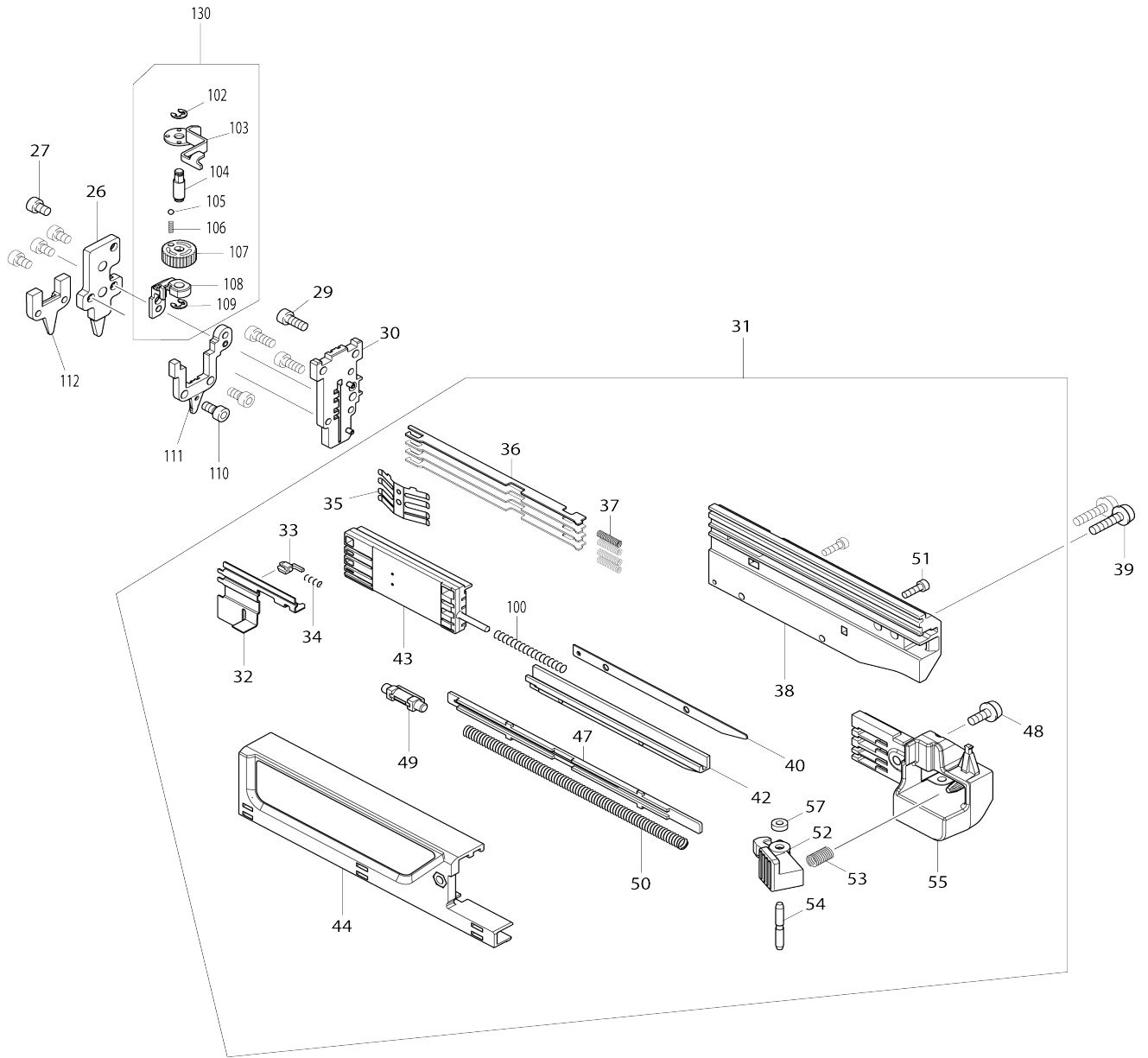


Model No.PT354D CORDLESS PIN NAILER



Model No.PT354D CORDLESS PIN NAILER



Model No.PT354D CORDLESS PIN NAILER

Item No.	Parts No.	Description	Interchangability	Q'ty	New/Old	Note1	Note2
001	266901-4	TAPPING SCREW 4X14		1			
003	183G24-4	HOUSING SET		1			
C10	263002-9	RUBBER PIN 4		2			
C20	252126-6	HEX. LOCK NUT M4-7		2			
C30	931102-0	HEX. NUT M4		1			
D10		INC. 95					
004	644813-5	TERMINAL		1			
007	915101-0	BINDING HEAD SCREW M4X6		4			
008	457384-1	FRONT COVER		1	*		
008-1	459308-3	FRONT COVER	S	1			
010	345704-0	UPPER PLATE		1	*		
010-1	347528-0	UPPER PLATE	S	1			
011	347140-6	RAIL		1			
013	326903-3	GUIDE BOLT		1			
014	347143-0	BOTTOM PLATE		1	*		
014-1	347671-5	BOTTOM PLATE	S	1			
015	457389-1	SPRING HOLDER		1			
016	347148-0	SPRING BASE		1			
017	232364-6	COMPRESSION SPRING 17		1			
018	347141-4	HAMMER		1			
019	424952-5	CUSHION		1			
020	253804-1	FLAT WASHER 6		1			
022	319537-9	HOLDER		1	*		
022-1	319981-0	HOLDER	O	1			
023	931302-2	HEX. NUT M6		1	*		
023-1	252273-3	HEX. NUT M6	<	1			
024	345702-4	DRIVER		1			
025	268157-5	PIN 4		1	*		
025-1	256882-0	FLAT FILLISTER HD. PIN 4	<	1			
026	144291-4	DRIVER GUIDE COVER COMPLETE		1	*		
026-1	140H39-0	DRIVER GUIDE COVER COMPLETE	S	1	*		
026-2	144291-4	DRIVER GUIDE COVER COMPLETE	S	1			
027	922102-1	HEX. SOCKET HEAD BOLT M4X6		4			
029	922112-8	HEX. SOCKET HEAD BOLT M4X10		3	*		
029-1	922127-5	HEX. SOCKET HEAD BOLT M4X16	S	2			
030	144330-0	DRIVER GUIDE COMPLETE		1			
031	135897-9	MAGAZINE ASSY		1			
D10		INC. 32-38,40,42-44,47-55,57,					
D20		INC. 100					
032	347138-3	PUSHER		1			
033	310176-8	STOPPER		1	*		
033-1	310176-8	STOPPER	S	1			
034	233018-8	COMPRESSION SPRING 3		1			
035	232362-0	LEAF SPRING		1			
036	346239-4	NAIL STOPPER		4			

037	232367-0	COMPRESSION SPRING 3		4		
038	457379-4	MAGAZINE		1	*	
038-1	458195-7	MAGAZINE	<	1		
039	911133-5	PAN HEAD SCREW M4X18		2		
040	347137-5	SPACER		1		
042	144335-0	LOWER RAIL COMPLETE		1		
043	457382-5	NAIL GUIDE HOLDER		1		
044	457380-9	UPPER RAIL		1		
C10	931102-0	HEX. NUT M4		1		
047	457387-5	SPRING COVER		1		
048	911113-1	PAN HEAD SCREW M4X10 WITH WR		1		
049	457383-3	SHOULDER PIN 5-6		1		
050	232366-2	COMPRESSION SPRING 5		1		
051	266177-3	HEX. SOCKET HEAD BOLT M3X10		2		
052	457388-3	LEVER		1		
053	233117-6	COMPRESSION SPRING 6		1		
054	256793-9	PIN 3		1		
055	457381-7	SLIDE DOOR CAP		1		
056	268158-3	PIN 5		1		
057	262054-7	URETHANE RING 3		1		
058	347139-1	LOCK ARM		1		
059	629268-5	DC MOTOR		1		
060	267053-4	FLAT WASHER 12		1		
061	227166-3	INTERNAL GEAR 69		1		
063	221961-3	SPUR GEAR 27		3		
064	154973-0	SPUR GEAR 7 COMPLETE		1		
065	345773-1	ANTI BACK PLATE		1		
066	144290-6	SPUR GEAR 55 COMPLETE		1	*	
066-1	140U73-8	SPUR GEAR 55 COMPLETE	O	1		
067	214060-8	PLANE BEARING 10		1		
068	620507-6	LED CIRCUIT		1		
069	632J91-9	CONTROLLER UNIT		1	*	
C10	654069-2	RECEPTACLE		2	*	
C20	688164-6	LINE FILTER		1	*	
069-1	632J91-9	CONTROLLER UNIT	O	1		
C10	654069-2	RECEPTACLE		2		
C20	688164-6	LINE FILTER		1	*	
070	456799-9	TRIGGER LOCK		1		
071	632J09-0	SWITCH UNIT		1	*	
071-1	632M82-8	SWITCH UNIT	<	1		
072	632G60-2	SWITCH UNIT		1		
073	632K06-2	SWITCH UNIT		1		
078	232370-1	COMPRESSION SPRING 5		1		
079	457386-7	TRIGGER		1		
080	347142-2	GEAR PLATE		1		
093	266130-9	TAPPING SCREW BIND PT 3X16		1		
094	457385-9	HOUSING R COVER		1		
095	183G24-4	HOUSING SET		1		
C10	263002-9	RUBBER PIN 4		2		
C20	252126-6	HEX. LOCK NUT M4-7		2		
C30	931102-0	HEX. NUT M4		1		

D10		INC. 3				
096	853C65-7	PT354D NAME PLATE		1	*	
096-1	853C64-9	PT354D NAME PLATE	<	1		
097	911173-3	PAN HEAD SCREW M4X45		1		
098	266130-9	TAPPING SCREW BIND PT 3X16		8		
099	266130-9	TAPPING SCREW BIND PT 3X16		1	*	
100	233459-8	COMPRESSION SPRING 3		1		
101	232365-4	COMPRESSION SPRING 7		1		
102	961017-7	STOP RING E-3		1		
103	347136-7	CONTACT ARM		1		
104	326905-9	ADJUSTER SHAFT		1		
105	216031-1	STEEL BALL 2.3		1		
106	234254-9	COMPRESSION SPRING 2		1		
107	457378-6	ADJUSTER		1		
108	310778-0	ARM		1		
109	961017-7	STOP RING E-3		1		
110	922107-1	HEX. SOCKET HEAD BOLT M4X8		2		
111	144329-5	CENTER PLATE COMPLETE		1		
112	310777-2	CONTACT TOP COVER		1	*	
112-1	310922-9	CONTACT TOP COVER	S	1	*	
112-2	310777-2	CONTACT TOP COVER	S	1		
113	310780-3	COUNTER WEIGHT A		2	*	
113-1	310924-5	COUNTER WEIGHT A	<	2	*	
113-2	313421-0	COUNTER WEIGHT A	<	2		
114	251566-5	H.S.H BOLT M4X6 WITH W		2		
115	347146-4	PINION GUIDE		2		
116	457390-6	COUNTER WEIGHT HOLDER		4	*	
116-1	413330-4	COUNTER WEIGHT HOLDER	O	4		
119	326902-5	PINION SHAFT		2		
120	424953-3	DUMPER RUBBER		8	*	
121	922102-1	HEX. SOCKET HEAD BOLT M4X6		4	*	
121-1	266199-3	HEX.SOCKET HEAD BOLT M4X6	O	4		
122	347145-6	GUIDE RAIL R		1		
123	347144-8	GUIDE RAIL L		1		
124	310781-1	COUNTER WEIGHT B		2		
125	347147-2	COUNTER STOPPER		1	*	
125-1	347672-3	COUNTER STOPPER	S	1		
126	424954-1	COUNTER CUSHION		2		
127	326904-1	WEIGHT		2		
128	232363-8	COMPRESSION SPRING 7		2		
129	326901-7	GUIDE PIPE		2	*	
129-1	327550-3	GUIDE PIPE	S	2		
130	135857-1	CONTACT ARM ASSY		1		
D10		INC. 102-109				
131	135855-5	SPUR GEAR ASSEMBLY		2	*	
D10		INC. 120				
131-1	136153-0	SPUR GEAR ASSY	O	2	*	
131-2	136104-3	SPUR GEAR ASSEMBLY	O	2	*	
131-3	137137-1	SPUR GEAR ASSEMBLY	O	2		
132	457809-5	SWITCH GUARD		1		
134	922112-8	HEX. SOCKET HEAD BOLT M4X10	S	1		
A01	195246-2	SAFETY GOGGLE		1	*	

A02	251314-2	+ SCREW M4X12		1			
A03	346909-5	HOOK		1			
A04	424955-9	NOSE ADAPTER		2	*		
A04-1	422372-7	NOSE ADAPTER	O	2			
A05	783201-2	HEX. WRENCH 3		1			
B01	127762-6	CENTER PLATE ASSEMBLY		1			
D10		INC. 110-112					
F03	198968-3	BATTERY BL1016 SET		1	*		
F04	198969-1	BATTERY BL1016 SET (2PIECES)		1	*		
F05-1	198970-6	BATTERY BL1021B SET (2PIECES)	O	1	*		
F06-1	199002-2	BATTERY BL1041B SET (2PIECES)	O	1	*		
F40	347C56-3	HOOK		1			

Please state Parts No. when your order.

Print Date 02/19/2024